

# COLUMBUS PNEUMATIC TIMER

Time delay switch  
400A



## Installation Instructions

Product No. 400A Single contact push button timer

- Incandescent 6A (3A) from 0V to 240V a.c.
- Suitable for use with a 16mm and 25mm BS back box
- Compact Fluorescent 3A (6 fittings max)
- Resistive 6A • Fluorescent 3A (6 fittings max)
- LED 3A • Time Delay 5 sec - 5 min

The Columbus Pneumatic Timer is part of the Elkey family of time switches and detectors which save energy and increase convenience in and around your home or business premises.

**1. Mounting:** The 400A is ideally suitable for mounting on most standard square boxes with two mounting lugs. Any additional mounting lugs found on a metal box must be ground off in case it causes an obstruction or short circuit with unit. **Avoid over tightening the mounting screws as this may cause the switch cover to distort and lock the plunger in the ON position.**

**2. Operation:** The switch is operated by pressing the plunger in to make or break the circuit. The plunger will gradually return to its normal position during the time delay. It is normal to occasionally see a flash when the switch contacts make or break.

**3. Timing Adjustment:** Delay timing is set and adjusted by turning the timing screw at the back of the unit, clockwise to increase and anti-clockwise to decrease the time delay. Close attention must be paid when making adjustment. For accuracy slight rotation of the timing screw is needed when setting the time delay.

Start by turning the timing screw so that it's level with the top of the screw thread. Make slight adjustments from there, checking the time delay after each adjustment. Sometime this slight adjustment of the timing screw may not result in any changes to the time delay and this is due to the mechanical nature of the timing mechanism. Continue with the adjustment until the desired time delay is reached. Please note due to the mechanical setting, there may be a variation in the time delay from one push to the next.

### Important Notice

All wiring should be carried out by a competent person or a qualified electrician and should be fitted to current IEE wiring regulations BS 7671. The circuit should be isolated before carrying out any work. Failure to adhere to the instructions will invalidate the warranty.

Brook House,  
Dunmurry Industrial Estate,  
Dunmurry,  
Belfast BT17 9HU

T +44 (0)28 9061 6505  
E info@elkey.co.uk

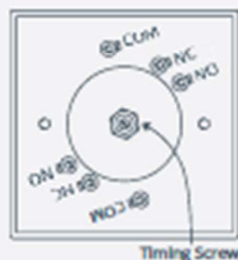
# Elkey™

elkey.co.uk

Elkey(Europe), 51C Miłicka, Trzebnica, 55-100, Poland

### Diagram 1

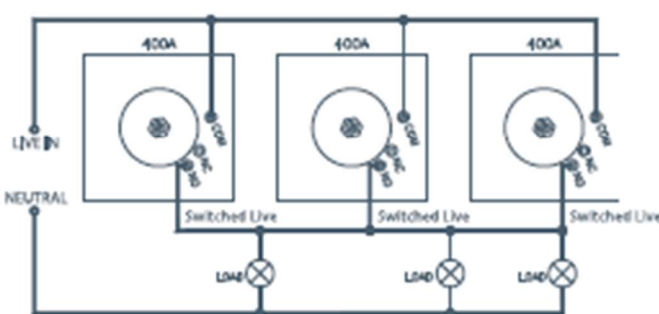
Single contact timers only have one set of contacts fitted.



COM - Common  
NO - Normally Open  
NC - Normally Closed

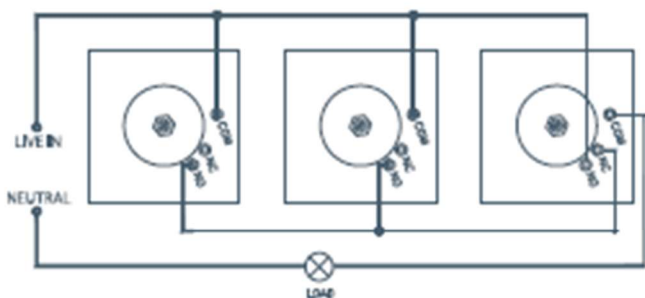
### Diagram 2

Typical Circuit for Corridor Lighting  
(i.e. Lights will stay on until the last timer goes off).



### Diagram 3

Typical Circuit for Staircase Lighting where the Live and Switched Live are at different positions.



### Technical Helpline

For further help, or information on this and the other products in the Elkey range go to [www.elkey.co.uk](http://www.elkey.co.uk) or call +44 (0)28 9061 6505.



**BDH™**  
BROOK DESIGN  
HARDWARE LTD