

22°

- +

NGTouch thermostats



# HeatMat

## Underfloor Heating

Call 01444 247020  
to find out more or  
visit our website at  
[www.heatmat.co.uk](http://www.heatmat.co.uk)

## NGTouch WiFi Thermostat

### Remote operation via your smart phone

Heat Mat's NGTouch WiFi thermostat offers remote operation from anywhere in the world via its companion App. The colour touchscreen also allows easy in-home control. This electric underfloor heating thermostat can be used to control any of Heat Mat's underfloor heating systems.

This thermostat is the latest addition to Heat Mat's popular NGTouch range and is also manufactured in Denmark in collaboration with OJ Electronics.

The NGTouch provides fully-automated and flexible underfloor heating control to suit the owner's daily schedule. The simple touchscreen interface and menu navigation structure are easy to use. The thermostat is supplied with various lifestyle modes including holiday, comfort, frost protection and boost for an hour of full-power warmth.

The wireless App control enables all aspects of the setup and operation of the thermostat to be carried out via the simple to use App. You can choose to individually control a single thermostat, or combine multiple thermostats to create heating zones.

This intelligent thermostat has energy-saving features including an Eco mode and energy-monitoring data graphs allowing the owner to keep track of their electricity consumption on a weekly, monthly or annual basis.

Another intelligent feature is the 'Adaptive Function' designed to learn the heat characteristics of a room and turn the underfloor heating on before an event, to ensure the system is operating at maximum efficiency.

The NGTouch can also be operated in manual mode, by simply increasing or decreasing the temperature using the arrows on screen.



### NGT-3.0-WiFi

Simple App control without the need for a gateway.



### NGTouch WiFi features

- Easy to use, quick to navigate
- Remote access and control via simple to use App
- Connects directly to wireless network, no gateway required
- Simple to set-up
- Full colour resistive touchscreen
- Available in ivory with the option to upgrade to premium frames including chrome, glass, brass or brushed aluminium
- Features four lifestyle modes
- See energy use over a week, a month or a year
- Switch the thermostat to manual for the simplest control
- Floor and room temperature sensors
- Controls up to 16 Amp of underfloor heating directly without the need for a contactor
- Made in Denmark
- Covered by a Lifetime Warranty

### Compatible with



Heating mats



Undertile heating cables



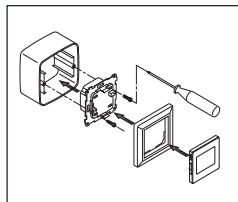
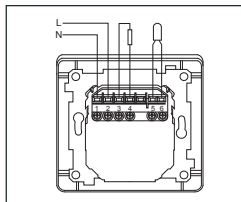
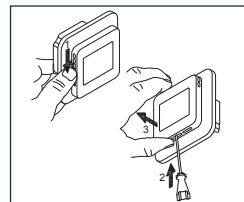
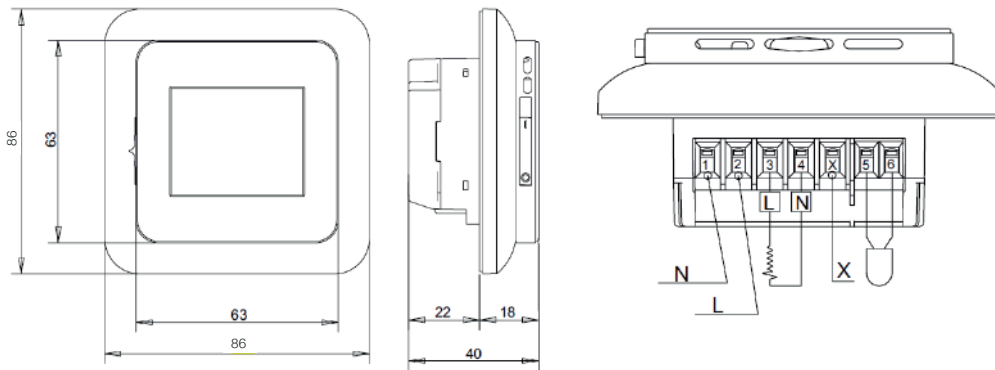
FlexHeat cables



5mm heating cables in screed



Underlamine heating mats



NTC 12K $\Omega$ @ 25° Celsius		
°Celsius	°Fahrenheit	$\Omega$ Ohm
-10° C	14° F	63929 $\Omega$
0° C	32° F	37942 $\Omega$
10° C	50° F	23364 $\Omega$
20° C	68° F	14871 $\Omega$
30° C	86° F	9752 $\Omega$

### Simple Connection

The built-in connection wizard ensures that connection to your WiFi network is simple and trouble free. Connecting the App to each thermostat takes a matter of seconds and as each thermostat has built-in WiFi there is no need for a separate hub. Once connected, multiple thermostats can be controlled via a single App, and you can use your account on multiple devices.

If a wireless connection is not available for any reason you can still access all functions of the thermostat through the conventional touch screen.

### Eco mode and energy efficiency

Eco Mode reduces the energy spent on unnecessary heating if a room or house is temporarily vacated during a scheduled heating event, or a homeowners routine is interrupted.

### Adaptive function

Adaptive function remembers the heat characteristics of rooms and adjusts the thermostat accordingly, to bring the room up to temperature for the start of each programmed event. After a few days, the adaptive function will have automatically calculated when the heating must be turned on/off to achieve this and it will adapt with the seasons to ensure the system runs efficiently. If enabled, adaptive function will be active prior to every event to reach the target temperature.

### Lifestyle Modes

The thermostat offers a number of lifestyle 'modes' for easy temperature control. These modes are accessed

via the Mode menu on the home screen and include: Comfort, Boost, Frost Protection, Holiday and Eco (found in the Advanced Options menu). These modes override the programmed heating schedule and provide the homeowner with a quick way to adjust the thermostat, whilst retaining their day-to-day heating settings.

**Comfort mode** - This will override the current heating program and allow manual adjustment of the target temperature for up to 24 hours. This might be used if the owner wanted to heat a room, that might normally be unheated, for a short time.

**Boost mode** - the underfloor heating is boosted to full power. After one hour, the thermostat returns to the 'default schedule' or programmed operation. This could be used when returning to a cold room to warm the space as quickly as possible.

**Frost protection mode** - used when heating is not needed but the temperature must be kept above freezing. This is usually used in holiday cottages, outbuildings or properties that may be left unattended for long periods of time.

**Holiday mode** - this allows the heating to be set to a minimum while the homeowner is away on holiday, saving both energy and money. Holiday start and end dates must be set and the thermostat will ensure that the floor is kept above freezing and the home is warm when they return.



NGTouch QR Data can be viewed on a smartphone

### NGTouch WiFi Thermostat Technical Specification

Supply Voltage	100-240 V AC + 10% 50/60Hz
Output relay	Max 16A, make contact SPST - NO
Interrupter	2-pole, 16A
Temperature range	+5 / +40oC
Floor limit range	+5 / +40oC
Heating schedule	4- or 6-event program
Wireless	Yes
Battery backup	5 years
Ambient temperature	0/+ 40oC during operation
On/Off differential	0.4oC
Regulation principle	PWM/PL
Housing	IP21
External sensor type	NTC (12K $\Omega$ ) 3m
Dimensions (H/W/D)	82/82/40mm (23mm depth)
Display	176x220 pixel TFT – Resistive touch
EU registered design	DM/082270
RF frequency band	2.4Ghz
WiFi	IEEE 802.11 b/g/n - 2.4Ghz
Security	WPA/WPA2

### Wiring

Heating mats must always be controlled by a suitable electric underfloor heating thermostat with floor temperature limitation. Heat Mat thermostats are rated to 16 Amps, and if a system exceeds this loading a suitably rated contactor should be used. The circuit must be protected by a 30mA RCD and suitably rated fuse or circuit breaker.



## About Heat Mat

Heat Mat is part of the Heatcom group of companies, one of Europe's largest underfloor heating manufacturers. With Heat Mat's 25 years' experience of the UK underfloor heating market and a wealth of knowledge on Scandinavian ice and snow melting systems, you can rely on Heat Mat to understand your needs and supply the products to satisfy your requirements.

This is why we are the Professionals' Choice, the number one supplier of electric underfloor heating and ice and snow melting systems to the UK's professional installation market.



## Contact us

01444 247020  
tech@heatmat.co.uk www.heatmat.co.uk

Heat Mat Limited  
3 Danworth Farm, Cuckfield Road,  
Hurstpierpoint, West Sussex, BN6 9GL.

To see all of our products use your smart phone to scan this code.

