



Product Description: A6™ Pro Fixed 6W Dimmable Fire Rated Downlight

The A6™ PRO is a revolution in LED downlight performance and installation. Utilising the unique RapidWire connection system, the whole product can be fully wired and installed in a matter of seconds. The use of latching terminals provides the security of screw terminations for both solid and stranded core cables and can be wired even faster than standard push fits. The removable connector allows full circuit insulation resistance testing without risking any damage to the downlight, which can be simply plugged in afterwards.

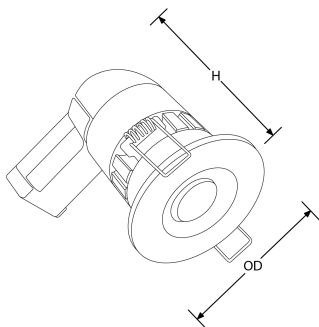
PLEASE NOTE: Any purchases before 01/01/2021 has a 5 Year Warranty.

SKU Code	Wattage	Colour	Lumens	Lumens/Watt	Beam Angle	SKU Type
AU-A6PRO/30	6	3000	600	100	60	Triac Dimmable
AU-A6PRO/40	6	4000	620	104	60	Triac Dimmable

Line Drawing

Polar Curve

Colour



Product Features:

- Delivering up to 103lm/W
- Slim, interchangeable IP65 bezels for sleek finish
- Unique RapidWire connection system
- 60° beam angle for uniform light distribution
- Fibre based insulation coverable - up to 300mm
- Tested in 30, 60 & 90 min solid timber joist fire rated ceilings
- Fire tested with solid timber, joist and metal web joists
- 7 Year Warranty
- PLEASE NOTE: Purchases before 2021 have a 5 Year Warranty

Product Specs:

Input Voltage	220~240V AC	Input Frequency	50/50HZ
Power Factor	0.8	IP Rating	IP65
Lifetime L70 (hrs)	70000	Lifetime L80 (Hours)	70000L80B50
Lamp Base	None	Overall Diameter (mm)	85
Weight (Kg)	0.307	Height (mm)	100
Product Type	Downlights, Fire-Rated Downlight	Cutout Diameter (mm)	65-70
Operating Temp. (Min) °C	-20°C	Operating Temp. (Max) °C	45°C

Compliance & Approvals:



Warranty:

This product has a warranty period of 7 Years. Warranties may be available on certain products as indicated in the product description. Warranties are valid from the date of purchase. The warranty is invalid in the case of improper use, installation, tampering, removal of the Q.C. date label or installation in an improper working environment or installation. Should this product fail during the warranty period it will be replaced free of charge, subject to the correct installation of the original product and subsequent return of the faulty unit. Aurora does not accept responsibility for any installation costs associated with the replacement of this product and Aurora reserves the right to alter specifications without prior notice.