

Instruction Guide

ILLUMINATED PUSHBUTTON & TOUCH TIMER

350A-1 / 360A-1

2 wire

The **Illuminated Pushbutton Timer & Touch Timer** (2 wire) are part of the Elkay family of switches, timers and detectors which save energy and increase convenience in and around your home, garden or premises.

Rating at 240V ac 50Hz

- Time Delay: 2 min - 2 hrs
- All load types 16A - Including lighting loads that are LED, Compact Fluorescent, Incandescent and Resistive
- These switches cannot be used with contactors. Please use Elkay (3 Wire) Master Timers and sensors

Usage

The Pushbutton/Touch Timers are general purpose time controls. Applications for suitable use include lighting and fans with lighting. The Timers can be used independently or as a master unit when using Activator trigger switches. One master product only for each circuit being switched with additional Activator units at other positions where multiple switches are required.

When used with some low wattage lighting, low voltage lighting, LED fittings and 2D fluorescents, please ensure a capacitor of 4 microfarads is fitted at the load across the switch live and neutral. Only one is required per circuit (Part no. PFCC-1).

IMPORTANT: Please note that it is essential that the Live In and Live Out are identified prior to commencing the installation and steps 1-3 are followed precisely. No neutral is required on this product (See diagram 1). Do not install the switch timer with the mains power on as this can damage the product.

Do not megger test or insulation resistance test this product. Remove before testing or test circuit prior to fitting.



Activator and Momentary Fitting

When connecting with Activators use three core cable connecting the Live In, Live Out and Trigger terminals as shown in diagram 2. The optional wire to the Activators only applies to the 350A-1 Pushbutton Activator units and is ideal for retrofitting (See diagram 2).

Please note that the Trigger terminal is the third terminal. Momentary or activating switches can also be used and can be connected back to the Live In and the Trigger terminal on the master.

This product requires a 24 hour power supply. The battery inside the unit recharges when the light source or appliance is switched OFF. Where the supply may be interrupted or isolated regularly we must recommend our products from the three wire range.

Your Elkay unit compatible with a single gang, 25mm deep British Standard accessory plate. Please ensure that the top and bottom lugs are removed from metal wall boxes prior to fitting. For 16mm boxes Elkay provide a spacer plate (Product no. 220A-1) to take box depth to 25mm.

Installation Steps

DO NOT APPLY MAINS UNTIL INSTRUCTED!

Step 1 – Ensure that the mains power to the circuit is switched OFF. Place the previously identified Live in into the L in terminal and switch Live into the Lout terminal.

Step 2 – Switch the battery ON using dip switch 4 - you will notice a red LED light flashing on the front of the unit, which will be flashing rapidly. Whilst this is in action please select the desired timings by selecting the appropriate time setting shown in diagram 3.

Step 3 – Switch Mains ON and wait for switch to latch onto the mains and light source /appliance to switch OFF.

Continued overleaf...

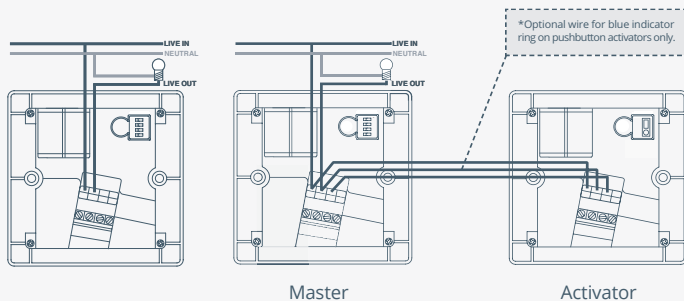


Diagram 1

Wiring diagram for a single unit master.

Diagram 2

Wiring diagram for a Master and Activator.



Diagram 3 – Time settings

Please note:

The black bar denotes the position of the dip switch.



Step 4 – At one minute prior to the end of the timing sequence, the red LED will begin to flash continuously for the last minute of operation. The blue locator ring will then illuminate once the light source or appliance has gone off.

Step 5 – To end the timing sequence prematurely, press and hold the Pushbutton/Touch pad until the red LED flashes continuously indicating the last minute countdown is in operation. Your light source or appliance will be switched off after one minute.

Standby / Sleep Mode

If the Elkay Timer does not receive power then the unit will put the unit into sleep mode to conserve the battery. The unit will attempt to latch on to mains power 25 times automatically before going to sleep mode as mentioned above.

Important Notice

All wiring should be carried out by a competent person or a qualified electrician and should be fitted to current IEE wiring regulations BS 7671. The circuit should be isolated before carrying out any work. Failure to adhere to the instructions will invalidate the warranty.

To manually reactivate the unit press and hold for a period of 15 seconds approximately, the red LED should start to flash rapidly, release button, the LED changes to a flash every 3 seconds, press and hold again until load switches off. Leave in OFF condition for at least 30 minutes before re-pressing.

Emergency Light Fittings

When carrying out the 3 hr annual Emergency test please ensure that during the test that this timer is switched off at number 4 for the duration of the test.

This intelligent timer can detect failed Emergency fittings or ballasts and may go into Standby Mode. If this occurs remove the faulty emergency fitting and follow the Standby/Sleep Mode notes above.

Technical Helpline

For further help or assistance or information on this or other products in the range please call the Elkay Technical team on +44 (0)28 9061 6505. Please call the Technical helpline before returning any products to your stockist. In the unlikely event that you have to return your product, please ensure you switch the battery off first. These instructions are available in other languages. Please refer to our website www.elkay.co.uk Instrukcje są również dostępne w innych językach. Prosimy o zapoznanie się z naszą stroną internetową www.elkay.co.uk lub www.elkaypolska.pl

Brook House,
Dunmurry Industrial Estate,
Dunmurry,
Belfast BT17 9HU

T +44 (0)28 9061 6505
F +44 (0)28 9061 6518
E info@elkay.co.uk



elkay.co.uk

