



# Simply Silent™ LV100

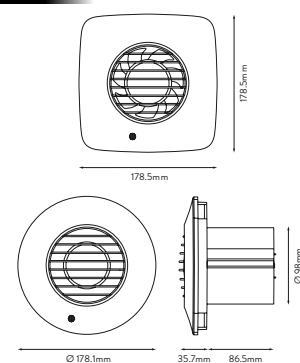
**Models:**
**LV100S, LV100TS, LV100PS, LV100HTS,  
LV100HPTS, LV100PIRS**

The Simply Silent™ LV100 (Low Volt) models are designed specifically for safe installation directly in or over the splash area zone 1, offering complete peace of mind. These models are supplied with a 12V SELV transformer, positioned out of reach of any person using the bath or shower. The LV100 range has two speeds, selectable at install, and features a wall-fitting kit.

The range is suitable for wall, ceiling and window fitting (requires Simply Silent Window Kit Plus - 93235AA)

**Technical Details**

	All Models
No. of Speeds	2
Power (W)	5.5 / 11.8
Duct Size (mm)	100
Flow rate (l/s)	15/21
Flow rate (m3/h)	54/76
Noise dB(A)3m	22/34
Specific Fan Power SFP (W/l/s)	0.37 / 0.56
IPX Rating	IPX4
Motor Type	AC
Integral backdraught shutter	X
Height (mm) square / round	178.5/178.1
Width (mm) square / round	178.5/178.1
Depth (mm)	122.2
Colour	White

**Dimensions**

**Country of Origin** Ireland

**Guarantee Period** 2 Years

Models	Design	Standard	Timer (adjustable from 30s - 30mins)	Pullcord	Humidistat (50-90% RH)	PIR	Wall Fitting Kit Supplied
<b>LV100S</b> 93031AW	■	✓					✓
<b>LV100TS</b> 93032AW	■		✓				✓
<b>LV100PS</b> 93033AW	■			✓			✓
<b>LV100HTS</b> 93034AW	■		✓		✓		✓
<b>LV100HPTS</b> 93035AW	■		✓	✓	✓		✓
<b>LV100PIRS</b> 93036AW	■		✓			✓	✓