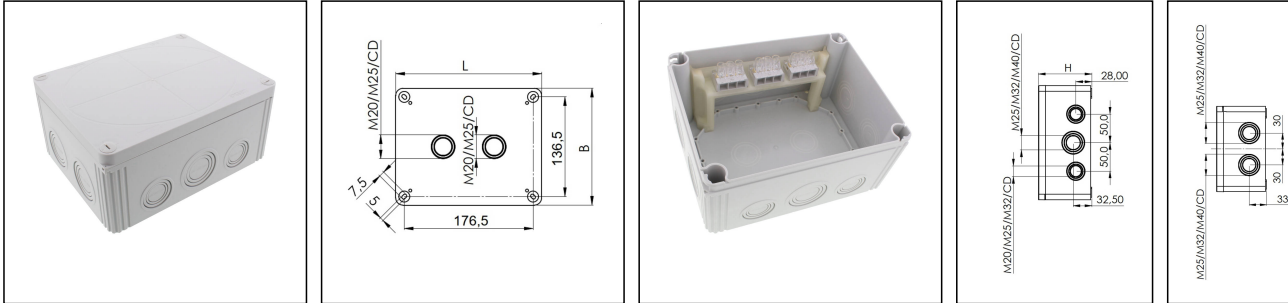


## COMBI 1610/3 LG

Junction box 200x160x94mm, polycarbonate, RAL 7035, with terminal block



Products may differ in size, colour and appearance to those shown. If you require further information or customisation, please contact us directly.



<b>Material</b>	Polycarbonate
<b>Material sealing gasket</b>	PU
<b>Temp. range min</b>	-30 °C
<b>Temp. range max</b>	100 °C
<b>Temperatures during install.</b>	-5 °C - 60 °C
<b>Protection class</b>	IP66 / IP67
<b>Glow wire test</b>	960 °C
<b>Voltage</b>	690 V
<b>Rated cross section</b>	16 mm <sup>2</sup>
<b>Terminals/poles</b>	3-pole, 16,0 mm <sup>2</sup>
<b>External dimensions LxWxH</b>	200 x 160 x 94 mm
<b>Product Color</b>	RAL 7035
<b>Order no. RAL 7035</b>	10110736
<b>Type</b>	COMBI 1610/3 LG
<b>Packing unit</b>	1
<b>ETIM-Classification</b>	EC002600
<b>EAN number</b>	4007686251708
<b>Tariff number</b>	85369010

Remarks:

IP66: using the QUIXX self sealing membrane screw  
 IP67: using the knockout entry together with ESKV cable gland

Equipment:

- 10 knockouts side 6x M25/M32/M40; 4x M20/M25/M32
- 2 knockouts in the bottom 2x M25/M32

Your Contact:

**WISKA Hoppmann GmbH**  
 Kisdorfer Weg 28 · 24568 Kaltenkirchen · Germany  
 ☎ +49-4191-508-0 · 📠 +49-4191-508-209  
 contact@wiska.de · www.wiska.com

- 4 captive cover screws
- including 3 QUIXX membrane spout EMT 32
- CD (cable diameter) 6-28mm
- inclusive terminal block 3-poles, 16mm<sup>2</sup>

**Mounting:**

4 internal openings outside of the sealing area

**Recommended accessories**

External mounting - COMBI LG

10108836

**Spare parts**

SP-HKT 1610 Terminal block

22001224

05.07.2022

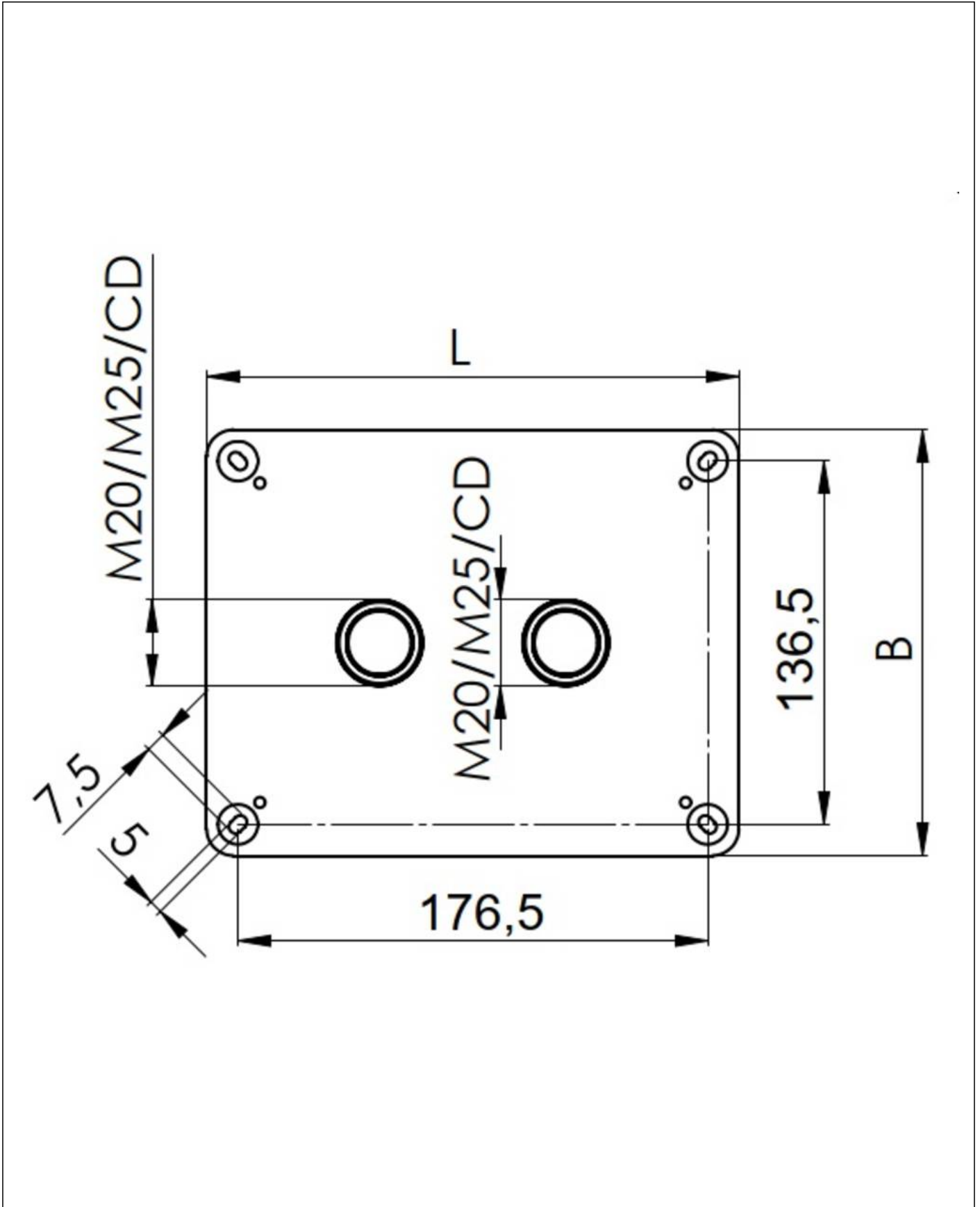
Your Contact:

**WISKA Hoppmann GmbH**

Kisdorfer Weg 28 · 24568 Kaltenkirchen · Germany

☎ +49-4191-508-0 · 📠 +49-4191-508-209

contact@wiska.de · www.wiska.com



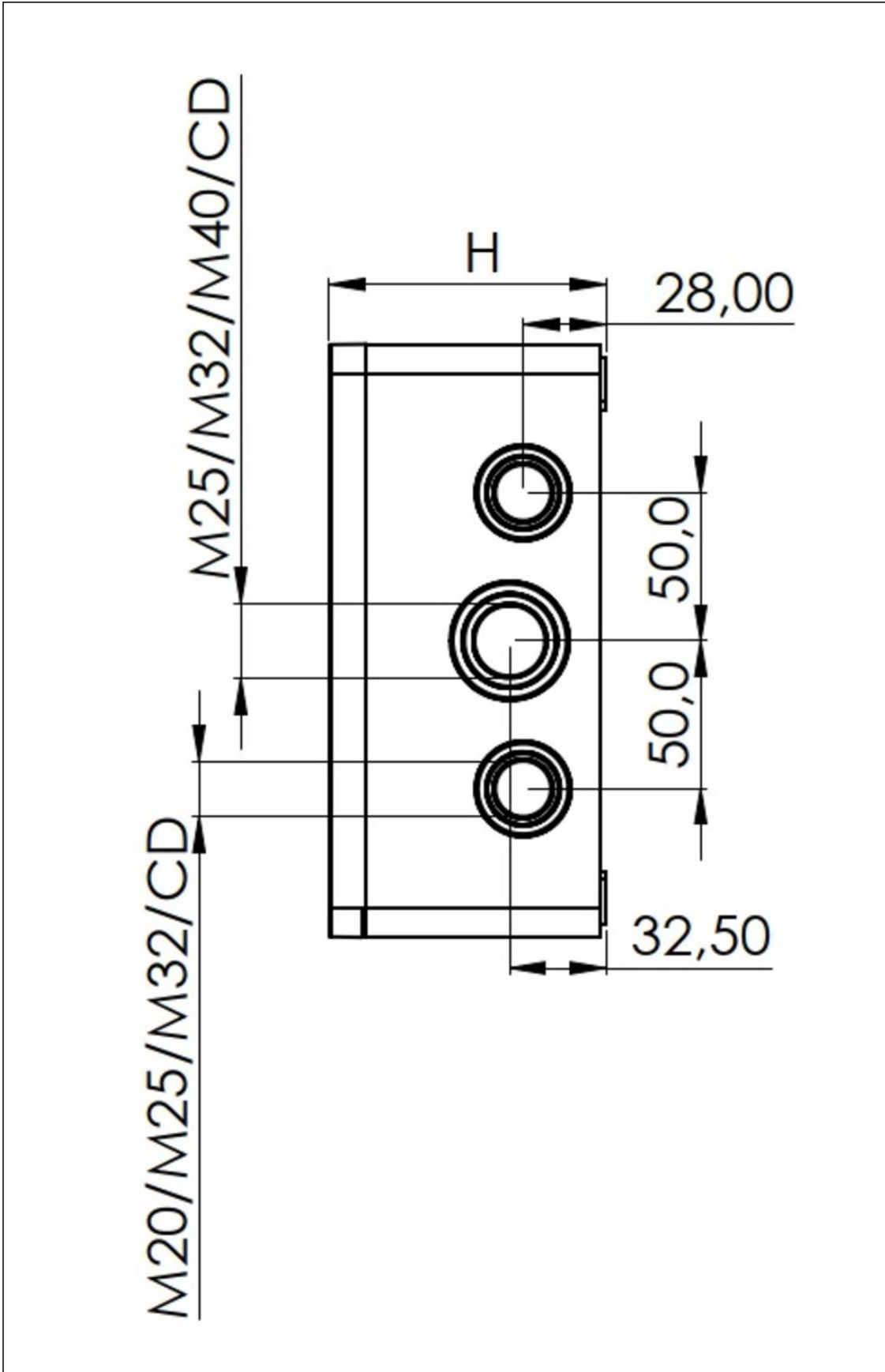
Your Contact:

**WISKA Hoppmann GmbH**

Kisdorfer Weg 28 · 24568 Kaltenkirchen · Germany

☎ +49-4191-508-0 · 📠 +49-4191-508-209

contact@wiska.de · www.wiska.com



Your Contact:

**WISKA Hoppmann GmbH**

Kisdorfer Weg 28 · 24568 Kaltenkirchen · Germany

☎ +49-4191-508-0 · 📠 +49-4191-508-209

✉ contact@wiska.de · 🌐 www.wiska.com