

Skydisc™ IP20 Range

Installation instructions for LED commercial downlights



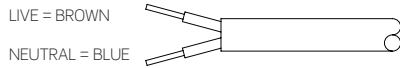
Warnings & Cautions

- To avoid electric shock, serious injury or property damage, isolate power before installing, removing or servicing the product.
- It is recommended that luminaires are installed by a qualified electrician to ensure the installation complies with the local current wiring regulations.
- Any broken or damaged parts should be replaced as soon as possible. JCC will not accept responsibility for claims arising from sub-standard installations; which will void the warranty.
- It may be necessary to upgrade your MCBs to allow for increased inrush current.
- This product is suitable for indoor use only.
- Read instructions and check that you have all of the tools and accessories required to complete the installation correctly. Isolate power supply before starting installation.
- This product is designed for connection to a 220-240V~ 50/60Hz.

INSTALLATION


ENGLISH

220-240V~ 50/60Hz / Class II

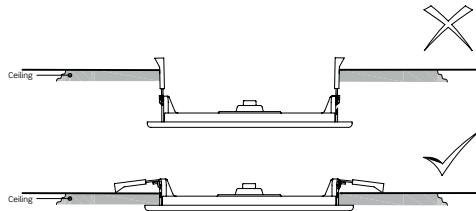


Double insulated- no earth required

Installation procedure

- Cut the mounting hole in the ceiling (refer to Fig.1). (JCC recommends that a sample hole is cut in a section of spare material to familiarize yourself with the process).
- Ensure there is a minimum of 75mm space around the fitting. DO NOT COVER the fitting with insulation as indicated by this symbol  on the luminaire.
- Connect the mains supply to the luminaire driver as above.
- Turn on the power supply to test the fitting. Once satisfied that the luminaire is functioning correctly, press the spring clips against the side of the luminaire and fit into the aperture.

Note: when fitting the luminaire do not partially install as shown below as this can cause damage to the fitting ie. if decorating.



PLEASE NOTE

When converting to emergency version using JCEM001/JCEM001ST, to access DC connectors remove green cover on the DC side of the driver. Once connected, replace connectors inside driver and refit cover.

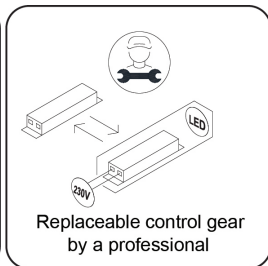
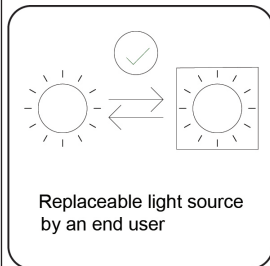
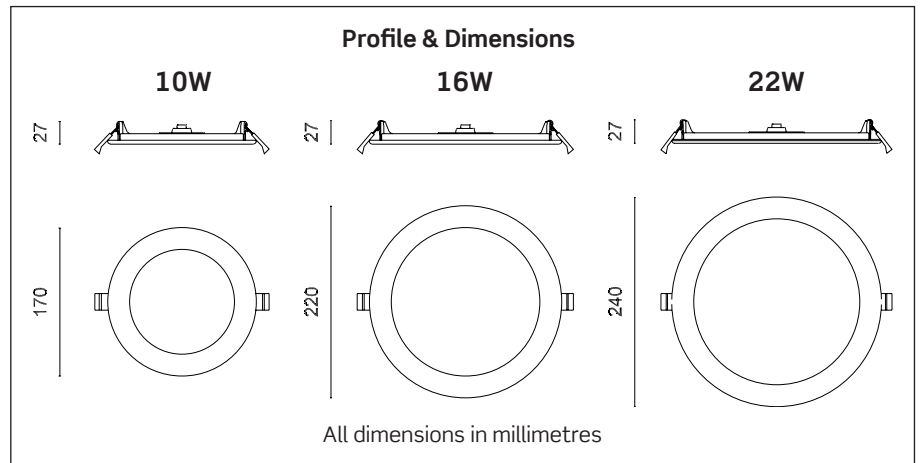


Figure 1.

| Variant | Driver output VDC | Cut out size |
|---------|-------------------|--------------|
| 10W | 33.6-39.6VDC | Ø150mm-160mm |
| 16W | 53.2-62.7VDC | Ø200mm-210mm |
| 22W | 67.2-79.2VDC | Ø220mm-230mm |

| Code | Wattage | Colour Temperature | Lumens | LpcW |
|---------|---------|--------------------|--------|------|
| JC72401 | 10W | 4000K | 770 | 77 |
| JC72402 | 16W | 4000K | 1300 | 81 |
| JC72403 | 22W | 4000K | 1750 | 80 |
| JC72404 | 10W | 4700K | 770 | 77 |
| JC72405 | 16W | 4700K | 1300 | 81 |
| JC72406 | 22W | 4700K | 1750 | 80 |
| JC73404 | 10W | 5700K | 770 | 77 |
| JC73405 | 16W | 5700K | 1300 | 81 |
| JC73406 | 22W | 5700K | 1750 | 80 |



IP20



Do not cover

jcc.co.uk

Important warranty information

This product is supported by a 2-year standard warranty which will extend to 3 years if registered within the first year of purchase. Please register at jcc.co.uk/warranty - Terms and conditions apply.

The installer will be asked to provide the following information, which is detailed on a label attached to the luminaire's chassis: Product Code/Date Code.

BS EN ISO9001 - 2015 - Registered Firm Certificate No. GB 1552

JCC Lighting Products Ltd. Innovation Centre, Beeding Close, Southern Cross Trading Estate, Bognor Regis, West Sussex, PO22 9TS, United Kingdom

Technical Support: +44(0)1243 838986 Customer Services: +44(0)1243 838999