

THESE INSTRUCTIONS SHOULD BE READ CAREFULLY AND RETAINED FOR FUTURE REFERENCE**IMPORTANT SAFETY ADVICE**

WARNING: The heater should only be used on a horizontal and stable surface with the feet securely fitted.

This appliance can be used by children aged from 8 years and above and persons with reduced physical, sensory or mental capabilities or lack of experience or knowledge if they have been given supervision or instruction concerning the use of the appliance in a safe way and understand the hazards involved. Children shall not play with the appliance. Cleaning and user maintenance shall not be made by children without supervision.

Children of less than 3 years should be kept away unless continuously supervised. Children aged from 3 years and less than 8 years shall only switch on/off the appliance provided that it has been placed in its intended normal operating position and they have been given supervision or instruction concerning the use of the appliance in a safe way and understand the hazards involved. Children aged from 3 years and less than 8 years shall not plug in, regulate and clean the appliance or perform user maintenance.

CAUTION: Some parts of this product can become very hot and cause burns. Particular attention has to be given where children and vulnerable people are present.

WARNING: In order to avoid overheating, do not cover the heater.

DO NOT use this heater in the immediate surroundings of a bath, a shower or a swimming pool.

CAUTION: In order to avoid a hazard due to inadvertent resetting of the thermal cut-out, this appliance must not be supplied through an external switching device, such as a timer, or connected to a circuit that is regularly switched on and off by the utility.

IMPORTANT: If the supply cord is damaged, it must be replaced by the manufacturer, its service agent or similarly qualified persons in order to avoid a hazard.

This heater is filled with a precise quantity of special oil. Repairs requiring opening of the oil container are only to be made by the manufacturer or his service agent who should be contacted if there is an oil leak.

When scrapping the heater, follow the regulations concerning the disposal of oil.

WARNING - DO NOT USE THIS APPLIANCE IN A BATHROOM.

DO NOT COVER THE RADIATOR or place material or garments on it, or obstruct the air circulation around the heater, for example with curtains or furniture, as this could cause overheating and a fire risk.

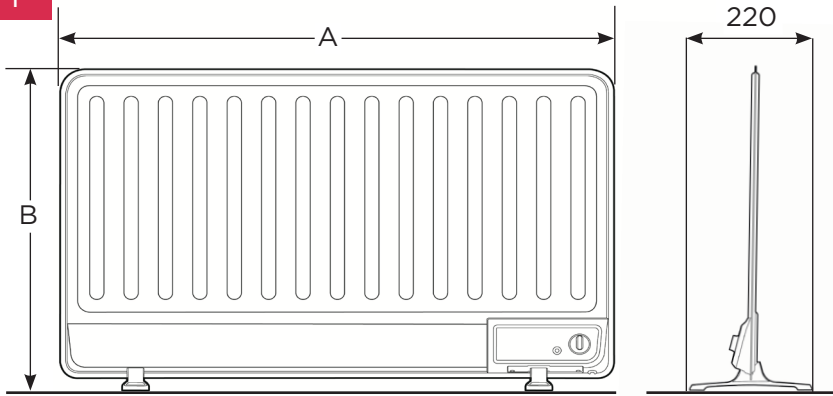
DO NOT use the heater if it has been dropped or damaged, contact our Customer Helpline for further advice.

DO NOT use the heater if it develops an oil leak. Unplug the heater and contact your supplier or our Customer Helpline. If the heater is tipped over, unplug it and allow it to cool before standing it back upright. **DO ENSURE** that the mains lead cannot be tripped over.

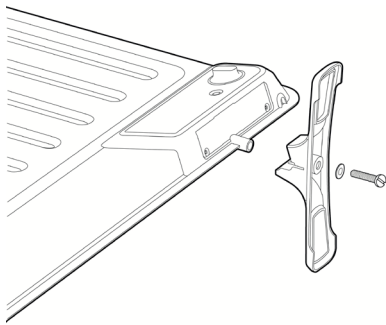
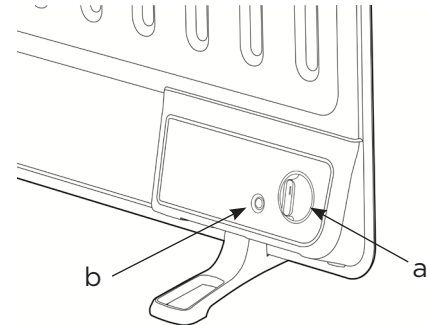
This Heater must not be located immediately below a socket-outlet.

DO NOT operate the heater with the mains lead overhanging the heated surfaces.

The radiator complies with stringent safety standards but to ensure efficient operation **SURFACES OF THE RADIATOR WILL BECOME HOT AND CONTACT WITH THESE AREAS SHOULD BE AVOIDED**

Fig. 1

Model	Watts	A	B
OFX 075E	750	570	683
OFX 100E	1000	840	683
OFX 150E	1500	1105	683
OFX 200E	2000	1373	683

Fig. 2**Fig. 3**

Electrical Connection

WARNING: THIS APPLIANCE MUST BE EARTHED

This heater must be used on an AC - supply only and the voltage marked on the heater must correspond to the supply voltage. This heater is fitted with a rewirable plug incorporating a 13 amp fuse. In the event of replacing the fuse in the plug supplied, a 13 amp fuse approved by ASTA to BS 1362 must be used. If any other type of plug is used, a 13 amp fuse must be fitted in the plug, the adaptor, or at the distribution board.

IMPORTANT: If the plug is not suitable for your socket, the 13 amp plug should be removed.

Before wiring the appropriate plug, please note that the wires in this mains lead are coloured in accordance with the following code:

GREEN AND YELLOW: EARTH
 BLUE: NEUTRAL
 BROWN: LIVE

Connect the GREEN AND YELLOW wire to the terminal marked 'E' or by the earth symbol, or coloured GREEN or GREEN AND YELLOW.

Connect the BLUE wire to the terminal marked 'N' or coloured BLACK

Connect the BROWN wire to the terminal marked 'L' or coloured RED

Installation

WARNING: This radiator carries a warning 'DO NOT COVER' to alert the user to the risk of overheating that exists if the radiator is accidentally covered

Unpacking

Follow any pack operating instructions carefully. Remove the contents of the carton very carefully. Retain all packaging for future use.

Preparing For Use

The radiator may only be used free standing with the feet fitted

The necessary feet and screws are provided, packed with the radiator.

Free Standing on Feet (see Fig.2)

Never use the radiator free standing without the feet fitted. Lay the radiator on its front on a table or similar and offer each foot up to its mounting bracket. Place each foot over the attachment bosses and secure it using the screws and washer provided

Stand the radiator on its feet and place it in position ready for use. The heater should always be used on a flat stable surface.

Ensure there is at least 75 mm of clear space around the radiator

NOTE: Although this heater is manufactured to comply with the relevant safety standards, certain types of carpets could become discoloured by the temperatures under a portable heater. If you are concerned about this, we recommend that you contact the carpet manufacturer for guidance. Alternatively, stand the heater on a suitable base to shield the carpet

Technical Details - Energy Efficiency Directive (2015/1188)

Model Identifier(s)		OFX 075E	OFX 100E	OFX 150E	OFX 200E	
Heat output						
Nominal heat output	P _{nom}	0.75	1.0	1.5	2.0	kW
Minimum heat output (indicative)	P _{min}	0.75	1.0	1.5	2.0	kW
Maximum continuous heat output	P _{max,c}	0.75	1.0	1.5	2.0	kW
Auxillary electricity Consumption						
At nominal heat output	e _{lmax}	0.0	0.0	0.0	0.0	kW
At minimum heat output	e _{lmin}	0.0	0.0	0.0	0.0	kW
In standby mode	e _{lSB}	0.0	0.0	0.0	0.0	kW
Type of heat output/room temperature control						
With mechanical thermostat room temperature control						Yes
Contact details: UK: Glen Dimplex Heating & Ventilation, Millbrook House, Grange Drive, Hedge End, Southampton, SO30 2DF ROI: Glen Dimplex Ireland, Airport Road, Cloghran, County Dublin, K67 DT89						

Operation

When you have completed the installation, plug in and switch on the power. The neon lamp (see 'b' in Fig. 3 & Fig. 4) will light to show that the radiator is powered.

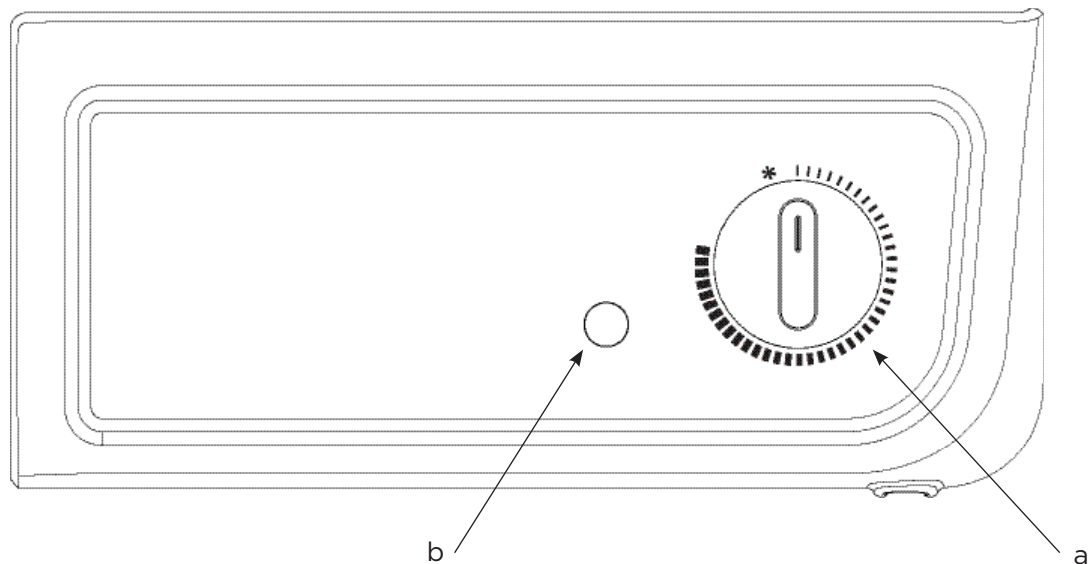
Set the thermostat control knob (see 'a' in Fig. 3 & Fig. 4) to the maximum position and allow the radiator to bring the room to your desired temperature.

When the room has reached the desired temperature, turn the thermostat knob anti-clockwise until the thermostat just clicks off. The radiator will now maintain the chosen temperature.

Note that the radiator may feel cool during operation if the room temperature is higher than the thermostat setting.

When the radiator is not in use, switch off the power supply and pull the plug out from the socket

Fig. 4



Cleaning and User Maintenance

WARNING: Always disconnect the power supply before cleaning the heater

Do not use detergents, abrasive cleaning powder or polish of any kind on the body of the heater.

Allow the heater to cool, then wipe with a dry cloth to remove dust and a damp cloth (not wet) to clean off stains. Be careful not to allow moisture in to the heater.

Recycling



For electrical products sold within the European Community. At the end of the electrical products useful life it should not be disposed of with household waste. Please recycle where facilities exist. Check with a Local Authority or retailer for recycling advice in your country. Batteries should be disposed of or recycled in accordance with WEEE Directive 2012/19/EU. Packaging should be recycled where possible.

What does a Dimplex Guarantee Cover?

Dimplex products deliver reliable service for normal, household use in domestic settings. All Dimplex products are individually tested before leaving the factory.

If you are a consumer and you experience a problem with your Dimplex product, which is found to be defective due to faulty materials or workmanship within the Guarantee Period, this Dimplex Guarantee will cover repair or - at the discretion of Dimplex - replacement with a functionally equivalent Dimplex product.

The Dimplex Guarantee Period is two calendar years from the date of purchase of your Dimplex product, or the date of delivery of the product, if later. The Dimplex Guarantee is conditional upon you providing the original purchase receipt as proof of purchase. Please therefore retain your receipt as proof of purchase.

If you do experience a problem with your Dimplex product please call the Helpline on +44 (0)344 879 3588 or visit <https://www.dimplex.co.uk/support>. For ROI please email serviceireland@glendimplex.com or call +353(0)1 842 833. We will need details of your Dimplex product, its serial number and a description of the fault which has occurred. You can find the model number and serial number for your Dimplex product on the back of the heater. Once we receive your information and proof of purchase we will contact you to make the necessary arrangements.

If your Dimplex product is not covered by this Dimplex Guarantee there may be a charge to repair your product. However, we will contact you for agreement to any charges before any chargeable service is carried out.

What is not covered by a Dimplex Guarantee?

The Dimplex Guarantee does not cover any of the following:

- Any fault or damage to your Dimplex product due to faulty materials or workmanship occurring outside the two-year Guarantee Period.
- Any fault or damage occurring to any pre-owned Dimplex product or to any other equipment or property.
- Accidental damage to your Dimplex product or damage to your Dimplex product from external sources (for example, transit, weather, electrical outages or power surges).
- Fault or damage to your Dimplex product which is:
 - Not due to faulty materials or workmanship or which is due to circumstances outside Dimplex's control.
 - Caused by use of your Dimplex product for anything other than normal domestic household purposes in the country where it was purchased.
- Caused by any misuse, abuse or negligent use of the Dimplex product, including but not limited to any failure to use it in accordance with the Operating Instructions supplied with the product.
- Caused by any failure to assemble, install clean and maintain your Dimplex product in accordance with the Operating Instructions supplied with the product unless this was carried out by Dimplex or its authorised dealers.
- Caused by repairs or alterations to your Dimplex product not carried out by Dimplex service personnel or its authorised dealer(s).
- Caused by use of any consumables or spare parts for your Dimplex product which are not Dimplex -specified.

Terms and Conditions

- The Dimplex Guarantee is valid for Dimplex from the date of purchase of your Dimplex product from a recognised retailer in the country of purchase and use, or the date of delivery of the product if later, always provided the original receipt has been retained and is produced as proof of purchase.
- You must provide to Dimplex or its authorised agents on request the original receipt as proof of purchase and - if required by Dimplex - proof of delivery. If you are unable to provide this documentation, you will be required to pay for any repair work required.
- Any repair work under the Dimplex Guarantee will be carried out by Dimplex or its authorised dealer(s) and any parts that are replaced will become the property of Dimplex. Any repairs performed under the Dimplex Guarantee will not extend the Guarantee Period.
- The Dimplex Guarantee does not entitle you to recovery of any indirect or consequential loss or damage including but not limited to loss or damage to any other property.
- The Dimplex Guarantee is in addition to your statutory rights as a consumer and your statutory rights are not affected by this Dimplex Guarantee.

UK Address: Glen Dimplex Heating & Ventilation
Millbrook House, Grange Drive, Hedge End, Southampton, SO30 2DF
UK Customer Helpline: 0344 879 3588

ROI Address: Glen Dimplex Ireland,
Airport Road, Cloghran, County Dublin, K67 DT89
ROI Customer Helpline: +353(0)1 842 833

Website: www.dimplex.co.uk/support
E-mail: gdhv.customersupport@glendimplex.com

 **Dimplex**[®]



© Glen Dimplex. All rights reserved. Material contained in this publication may not be reproduced in whole or in part, without prior permission in writing of Glen Dimplex