



CorePro LEDspot LV



CorePro LED spot ND 7-50W MR16 827 36D

CorePro LEDspots are a perfect fit for spot lighting and deliver warm halogen-like light. They are compatible with most existing fixtures with MR16 GU5.3 holders and are designed as a retrofit replacement for halogen or incandescent spots. LEDlamps deliver huge energy savings and minimize maintenance cost.

Product data

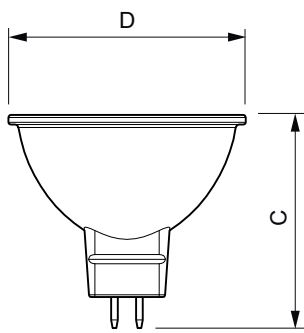
General Information		Power Consumption	
Cap base	GU5.3		7 W
Nominal lifetime	15,000 h	Lamp current (nom.)	730 mA
Switching Cycle	50,000	Wattage equivalent	50 W
Lighting Technology	LED	Starting time (nom.)	0.5 s
Flux measurement reference	Narrow Cone	Warm-up time to 60% light	0.5 s
		Power Factor (Fraction)	0.8
		Voltage (nom.)	12 V
Light Technical		Temperature	
Colour Code	827 [CCT of 2700K]	T-Case maximum (nom.)	85 °C
Beam angle (nom.)	36 degree(s)		
Luminous Flux	621 lm	Controls and Dimming	
Luminous intensity (nom.)	1,400 cd	Dimmable	No
Luminous efficacy (rated) (nom.)	88 lm/W		
Colour designation	Warm White (WW)	Mechanical and Housing	
Correlated Colour Temperature	2700 K	Bulb shape	MR16
Colour consistency	<6		
Colour rendering index (CRI)	80	Approval and Application	
LLMF at end of nominal lifetime (nom.)	70 %	Energy Efficiency Class	F
Luminous flux in 90° cone (rated)	621 lm	Suitable for accent lighting	Yes
		Energy consumption kWh/1,000 hours	7 kWh
Operating and Electrical		EPREL registration number	465221
Line Frequency	- Hz	CE mark	Yes
Input frequency	- Hz		

CorePro LEDspot LV

EU RoHS compliant	Yes
EyeComfort	Yes
Application Conditions	
Can it be used in closed luminaires	No
Product Data	
Order product name	CorePro LED spot ND 7-50W MR16 827 36D
Full product name	CorePro LED spot ND 7-50W MR16 827 36D
Full EOC	871869681471000

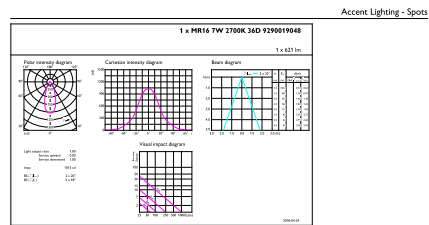
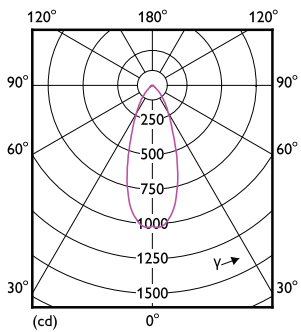
Order code	81471000
Material no. (12 NC)	929001904802
Numerator – quantity per pack	1
Net Weight (Piece)	0.030 kg
EAN/UPC – Product/Case	8718696814710
Numerator – packs per outer box	10
EAN/UPC – Case	8718696814727

Dimensional drawing



Product	D	C
CorePro LED spot ND 7-50W MR16 827 36D	50.5 mm	45 mm

Photometric data

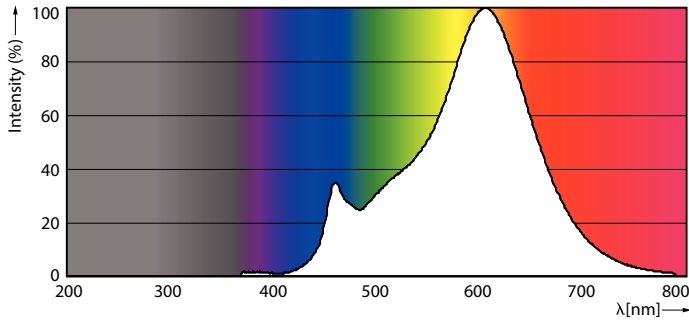


Light Distribution Diagram - CorePro LED spot ND 7-50W MR16 827 36D

Accent Lighting Spots - CorePro LED spot ND 7-50W MR16 827 36D

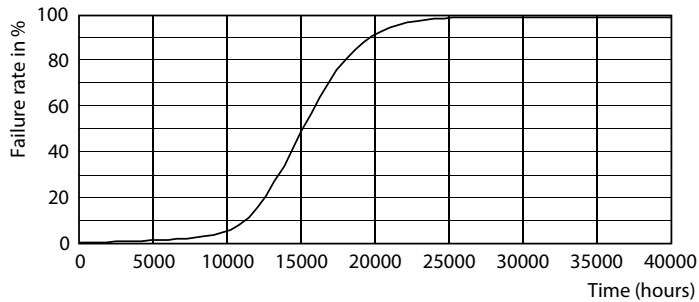
CorePro LEDspot LV

Photometric data

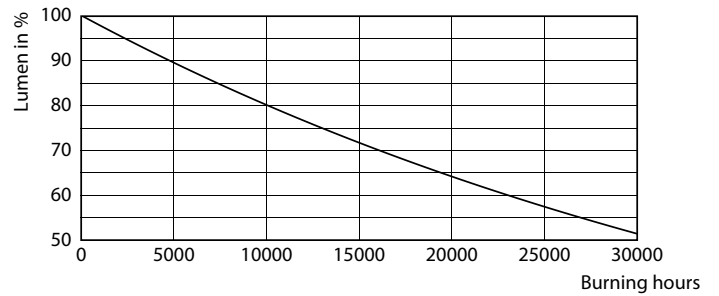


Spectral Power Distribution Colour - CorePro LED spot ND 7-50W MR16 827 36D

Lifetime



LEDspot Corepro 7-50W GU5.3 MR16 827 36D ND



Lumen Maintenance Diagram - CorePro LED spot ND 7-50W MR16 827 36D

