



# CorePro LEDspot LV



## CorePro LED spot ND 7-50W MR16 830 36D

CorePro LEDspots are a perfect fit for spot lighting and deliver warm halogen-like light. They are compatible with most existing fixtures with MR16 GU5.3 holders and are designed as a retrofit replacement for halogen or incandescent spots. LEDlamps deliver huge energy savings and minimize maintenance cost.

### Product data

General Information	
Cap base	GU5.3
Nominal lifetime	15,000 h
Switching Cycle	50,000
Lighting Technology	LED
Flux measurement reference	Narrow Cone
Light Technical	
Colour Code	830 [CCT of 3000K]
Beam angle (nom.)	36 degree(s)
Luminous Flux	621 lm
Luminous intensity (nom.)	1,400 cd
Luminous efficacy (rated) (nom.)	88 lm/W
Colour designation	White (WH)
Correlated Colour Temperature	3000 K
Colour consistency	<6
Colour rendering index (CRI)	80
LLMF at end of nominal lifetime (nom.)	70 %
Luminous flux in 90° cone (rated)	621 lm
Operating and Electrical	
Line Frequency	- Hz
Input frequency	- Hz

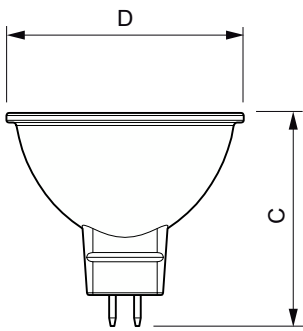
Power Consumption	7 W
Lamp current (nom.)	730 mA
Wattage equivalent	50 W
Starting time (nom.)	0.5 s
Warm-up time to 60% light	0.5 s
Power Factor (Fraction)	0.8
Voltage (nom.)	12 V
Temperature	
T-Case maximum (nom.)	85 °C
Controls and Dimming	
Dimmable	No
Mechanical and Housing	
Bulb shape	MR16
Approval and Application	
Energy Efficiency Class	F
Suitable for accent lighting	Yes
Energy consumption kWh/1,000 hours	7 kWh
EPREL registration number	465222
CE mark	Yes

# CorePro LEDspot LV

EU RoHS compliant	Yes
EyeComfort	Yes
<b>Application Conditions</b>	
Can it be used in closed luminaires	No
<b>Product Data</b>	
Order product name	CorePro LED spot ND 7-50W MR16 830 36D
Full product name	CorePro LED spot ND 7-50W MR16 830 36D
Full EOC	871869681477200

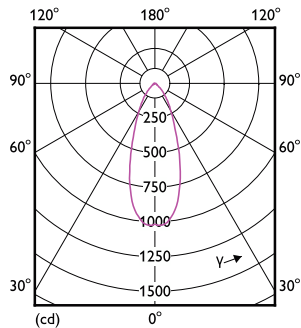
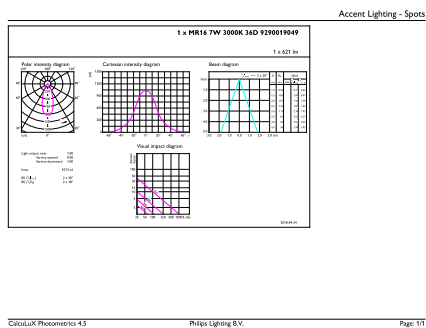
Order code	81477200
Material no. (12 NC)	929001904902
Numerator – quantity per pack	1
Net Weight (Piece)	0.034 kg
EAN/UPC – Product/Case	8718696814772
Numerator – packs per outer box	10
EAN/UPC – Case	8718696814789

## Dimensional drawing



Product	D	C
CorePro LED spot ND 7-50W MR16 830 36D	50.5 mm	45 mm

## Photometric data

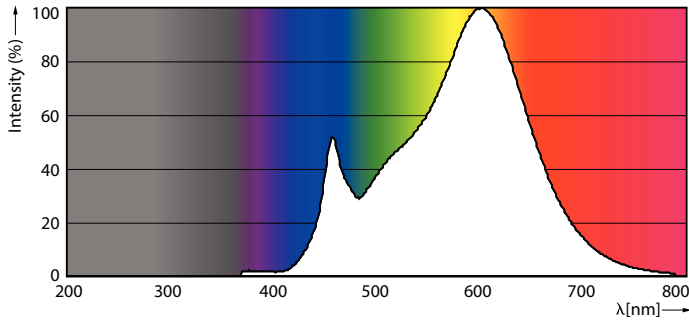


Accent Lighting Spots - CorePro LED spot ND 7-50W MR16 830 36D

Light Distribution Diagram - CorePro LED spot ND 7-50W MR16 830 36D

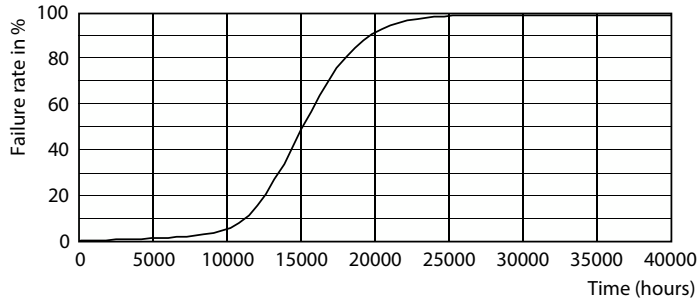
# CorePro LEDspot LV

## Photometric data

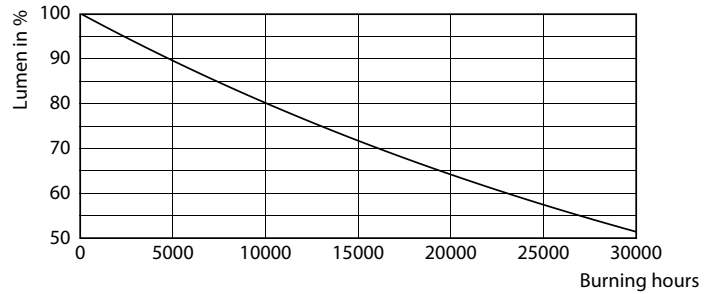


Spectral Power Distribution Colour - CorePro LED spot ND 7-50W MR16 830 36D

## Lifetime



LEDspot Corepro 7-50W GU5.3 MR16 827 36D ND



Lumen Maintenance Diagram - CorePro LED spot ND 7-50W MR16 830 36D

