



MASTER LEDspot ExpertColor LV



MASTER LED ExpertColor 6.7-35W MR16 930 60D

MASTER LEDspot LV ExpertColor creates a warm and comfortable ambience for hospitality venues, homes and restaurants. It creates such an ambience with superior lighting that has a customised spectrum, high CRI and deep dimming feature. The result? A beautiful lighting experience. What's more, the innovative, trimless lens design will suit almost any interior decor with its clean and neat look. In addition, you can take advantage of the full ExpertColor family, which also includes LEDspot MV lamps.

Product data

General Information		Luminous flux in 90° cone (rated)		440 lm
Cap base	GU5.3	Photobiological safety according to EN 62471		RG1
Nominal lifetime	40,000 h	Operating and Electrical		
Switching Cycle	50,000	Line Frequency	- Hz	
Lighting Technology	LED	Input frequency	- Hz	
Flux measurement reference	Narrow Cone	Power Consumption	6.7 W	
Light Technical		Lamp current (nom.)	650 mA	
Colour Code	930 [CCT of 3000K]	Wattage equivalent	35 W	
Beam angle (nom.)	60 degree(s)	Starting time (nom.)	0.5 s	
Luminous Flux	440 lm	Warm-up time to 60% light	0.5 s	
Luminous intensity (nom.)	440 cd	Power Factor (Fraction)	0.7	
Luminous efficacy (rated) (nom.)	65.00 lm/W	Voltage (nom.)	ac electronic 12 V	
Colour designation	White (WH)	Temperature		
Correlated Colour Temperature	3000 K	T-Case maximum (nom.)	92 °C	
Colour consistency	<3			
Colour rendering index (CRI)	97			
LLMF at end of nominal lifetime (nom.)	70 %			

MASTER LEDspot ExpertColor LV

Controls and Dimming

Dimmable	Only with specific dimmers
----------	----------------------------

Mechanical and Housing

Bulb shape	MR16
------------	------

Approval and Application

Energy Efficiency Class	G
Suitable for accent lighting	Yes
Energy consumption kWh/1,000 hours	7 kWh
EPREL registration number	624216
CE mark	Yes
EU RoHS compliant	Yes
EyeComfort	Yes

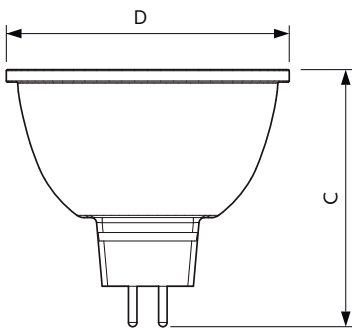
Application Conditions

Can it be used in closed luminaires	No
-------------------------------------	----

Product Data

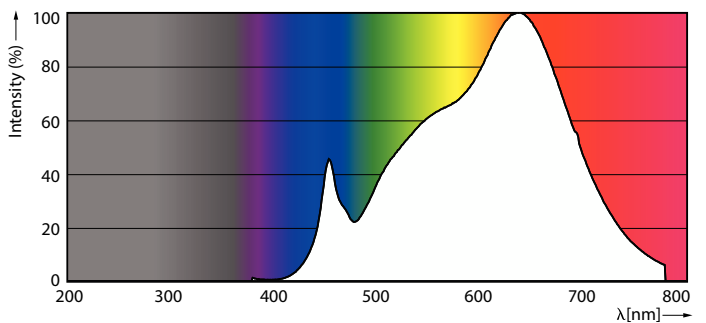
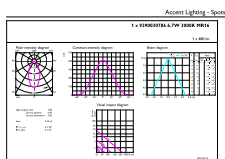
Order product name	MAS LED ExpertColor 6.7-35W MR16 930 60D
Full product name	MASTER LED ExpertColor 6.7-35W MR16 930 60D
Full EOC	871951435843000
Order code	35843000
Material no. (12 NC)	929003078602
Numerator – quantity per pack	1
Net Weight (Piece)	0.052 kg
EAN/UPC – Product/Case	8719514358430
Numerator – packs per outer box	10
EAN/UPC - Case	8719514358447

Dimensional drawing



Product	D	C
MAS LED ExpertColor 6.7-35W MR16 930 60D	50.5 mm	46 mm

Photometric data

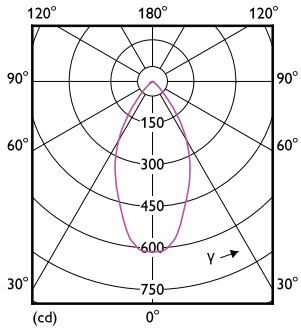


Accent Lighting Spots - MAS LED ExpertColor 6.7-35W MR16 930 60D

Spectral Power Distribution Colour - MAS LED ExpertColor 6.7-35W MR16 930 60D

MASTER LEDspot ExpertColor LV

Photometric data

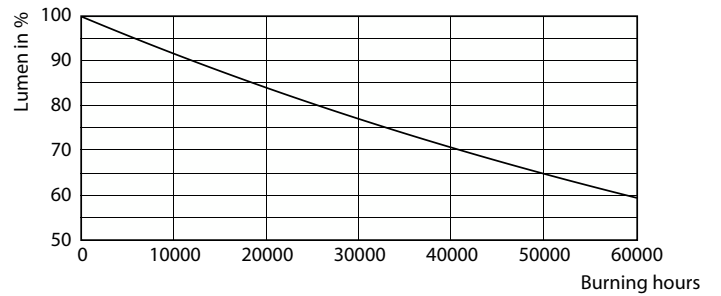


Light Distribution Diagram - MAS LED ExpertColor 6.7-35W MR16 930 60D

Lifetime



Life Expectancy Diagram



Lumen Maintenance Diagram - MAS LED ExpertColor 6.7-35W MR16 930 60D

