



MASTER LEDspot ExpertColor LV



MASTER LED ExpertColor 6.7-35W MR16 940 60D

MASTER LEDspot LV ExpertColor creates a warm and comfortable ambience for hospitality venues, homes and restaurants. It creates such an ambience with superior lighting that has a customised spectrum, high CRI and deep dimming feature. The result? A beautiful lighting experience. What's more, the innovative, trimless lens design will suit almost any interior decor with its clean and neat look. In addition, you can take advantage of the full ExpertColor family, which also includes LEDspot MV lamps.

Product data

General Information	
Cap base	GU5.3
Nominal lifetime	40,000 h
Switching Cycle	50,000
Lighting Technology	LED
Flux measurement reference	Narrow Cone

Light Technical	
Colour Code	940 [CCT of 4000K]
Beam angle (nom.)	60 degree(s)
Luminous Flux	440 lm
Luminous intensity (nom.)	440 cd
Luminous efficacy (rated) (nom.)	65.00 lm/W
Colour designation	Cool White (CW)
Correlated Colour Temperature	4000 K
Colour consistency	<3
Colour rendering index (CRI)	97
LLMF at end of nominal lifetime (nom.)	70 %

Luminous flux in 90° cone (rated)	440 lm
Photobiological safety according to EN 62471	RG1

Operating and Electrical	
Line Frequency	- Hz
Input frequency	- Hz
Power Consumption	6.7 W
Lamp current (nom.)	650 mA
Wattage equivalent	35 W
Starting time (nom.)	0.5 s
Warm-up time to 60% light	0.5 s
Power Factor (Fraction)	0.7
Voltage (nom.)	ac electronic 12 V

Temperature	
T-Case maximum (nom.)	92 °C

MASTER LEDspot ExpertColor LV

Controls and Dimming

Dimmable	Only with specific dimmers
----------	----------------------------

Mechanical and Housing

Bulb shape	MR16
------------	------

Approval and Application

Energy Efficiency Class	G
Suitable for accent lighting	Yes
Energy consumption kWh/1,000 hours	7 kWh
EPREL registration number	624221
CE mark	Yes
EU RoHS compliant	Yes
EyeComfort	Yes

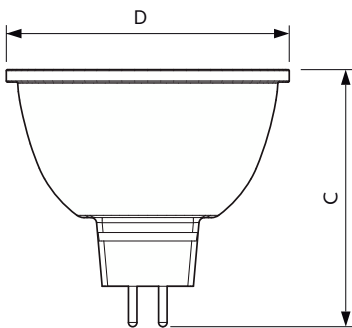
Application Conditions

Can it be used in closed luminaires	No
-------------------------------------	----

Product Data

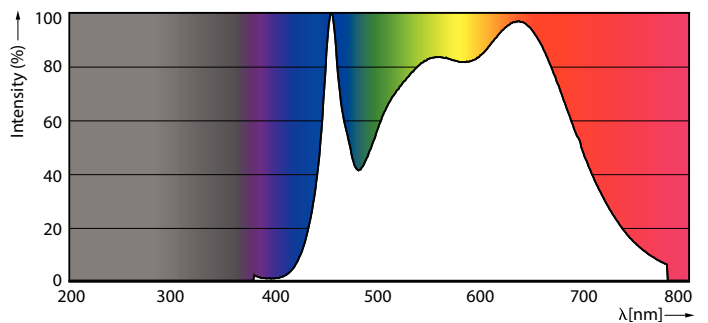
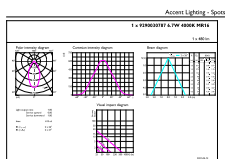
Order product name	MAS LED ExpertColor 6.7-35W MR16 940 60D
Full product name	MASTER LED ExpertColor 6.7-35W MR16 940 60D
Full EOC	871951435845400
Order code	35845400
Material no. (12 NC)	929003078702
Numerator – quantity per pack	1
Net Weight (Piece)	0.052 kg
EAN/UPC – Product/Case	8719514358454
Numerator – packs per outer box	10
EAN/UPC – Case	8719514358461

Dimensional drawing



Product	D	C
MAS LED ExpertColor 6.7-35W MR16 940 60D	50.5 mm	46 mm

Photometric data

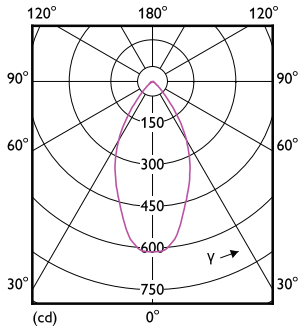


Accent Lighting Spots - MAS LED ExpertColor 6.7-35W MR16 940 60D

Spectral Power Distribution Colour - MAS LED ExpertColor 6.7-35W MR16 940 60D

MASTER LEDspot ExpertColor LV

Photometric data

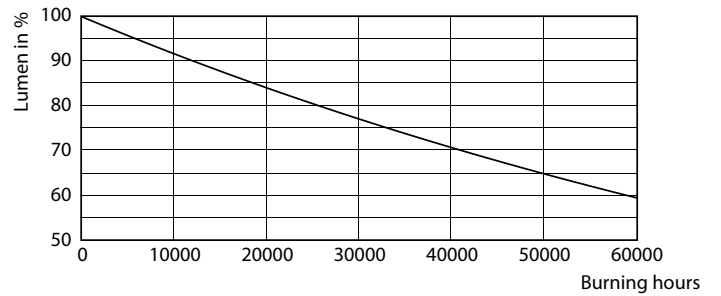


Light Distribution Diagram - MAS LED ExpertColor 6.7-35W MR16 940 60D

Lifetime



Life Expectancy Diagram



Lumen Maintenance Diagram - MAS LED ExpertColor 6.7-35W MR16 940 60D

