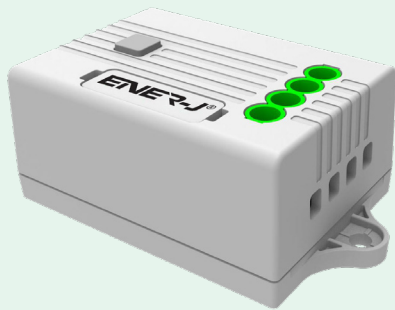
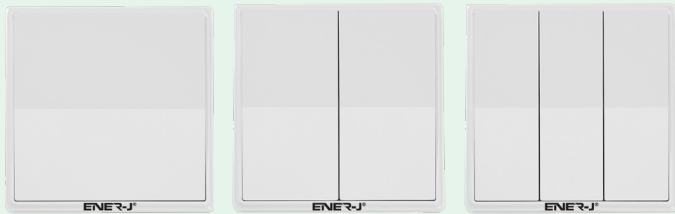
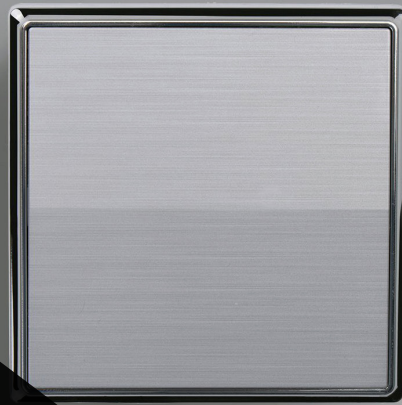


# WIRELESS KINETIC SWITCH & CONTROLLER



Download  
Our App



ENERJSMART

## Product Specification

### Innovation of Wireless Kinetic Technology

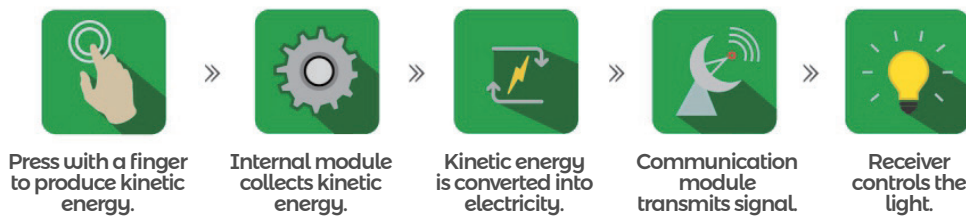
The ENER-J wireless switch has a built-in micro energy generator. When the switch is pressed the kinetic system transforms the movement into energy. This transmits a signal to the receiver to turn the lamp or other load on or off. This solves the issue of having to install switch wiring which has been a problem ever since the invention of the lamp.

### No Wiring. No Battery. Easy Installation and Usage.

There is no longer a need to install back boxes, make holes or channel out for switch lines in the wall if you use the ENER-J wireless switch. It can be installed/placed anywhere you want: glass, marble, ceramic tile and other smooth, surfaces, etc. The ENER-J switch is safe, surface at wall such as painted wall convenient and extremely simple to install and use.

### Collection of Micro Mechanical Energy

Micro energy acquisition (ME&A) module constantly generates energy, thus eliminating the need for a battery or mains power supply.



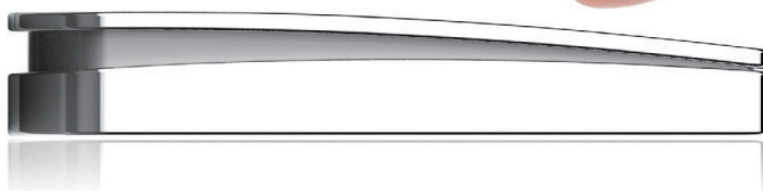
Press with a finger to produce kinetic energy.

Internal module collects kinetic energy.

Kinetic energy is converted into electricity.

Communication module transmits signal.

Receiver controls the light.

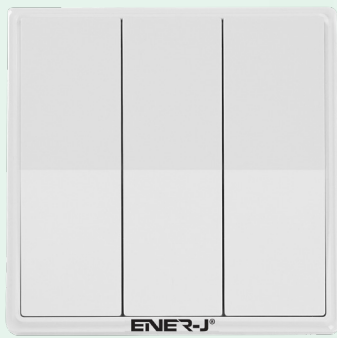


**Low power hardware and highly reliable communication protocol**

Energy produced by the ENER-J device is very small, so the communicating hardware adheres to strict requirements on low power consumption, wireless transmission and creates a highly stable environment.

The ENER-J switch has a formidable range being effective up to 30m indoors and 160m outdoors. To prevent interference the handshake protocol is integrated with a precise algorithm, a 32-bit address. At every interval communication protocols are sent three times.

Whether you are looking for elegance in design or for a low maintenance sanitary solution - ENER-J Lighting is the answer. Using advanced self powering technology and requiring no batteries - the ENER-J switch module communicates with the relay receiver connected into your light fitting. It switches and functions exactly like a mains wired switch but naturally without the need for power or cables at the switched end. ENER-J switch fits where it is convenient for you without any damage to your home's decor. It costs less than traditional wired switch arrangements and looks just as good if not better than a wired switch.



					
Self-powered	Durable	Eco-friendly and Cost Saving	Zero Radiation	No Maintenance	No Wiring

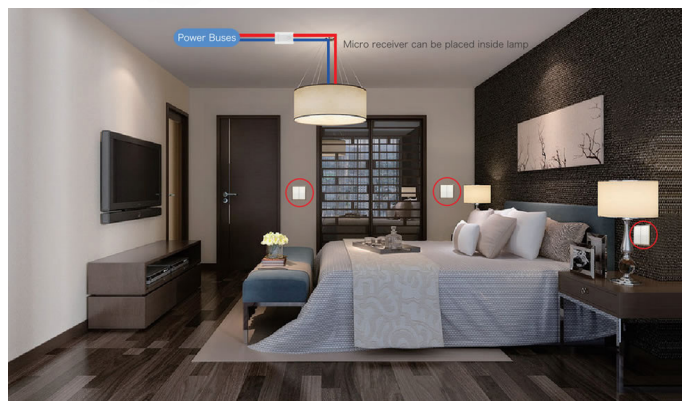
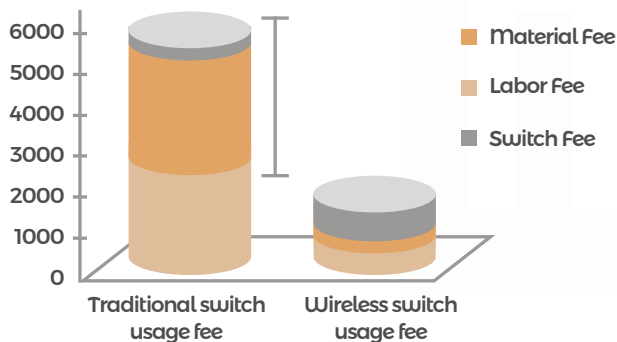
**ENER-J Switch Advantages**

- No Wires** - Through a wireless control terminal, such as the light or motor.
- No Power Supply** - Does not need any power cords, batteries or whatever power source.
- Energy Saving** - Reduce PVC tubing, wiring and cutting walls.
- Eco-friendly** - Reduces battery usage, renovation waste and noise, and CO2 emission.
- Save Money** - Reduce manual labor, decrease construction costs by 30%, speed up progress by 40%.
- Simple and Convenient** - Free installation; can randomly alter the installation location for the young and old to use.
- Safety** - Waterproof so perfect to use in bathrooms where you don't need to worry about voltage regulations since these are volt free.
- Smart** - Can pair up connection, control at will, and dock with smart home system.
- Durable** - Wireless kinetic switches does not use batteries, creates no wear and tear, and can be used for 60 years.

**Saving Expenses**

Cost Saving - It reduces labour, reduces construction costs by up to 30% and speeds up the installation of any new light or load. Constructing and building can make a wide range of usage of wireless kinetic energy technology. saving 50,000,000 batteries every year. Reduced 27,000 meters of wiring, 30,000 kg of PVC piping, and 8,000 kg of carbon emissions in a 50-storey building.

**Saving up to 60% cost on wiring**



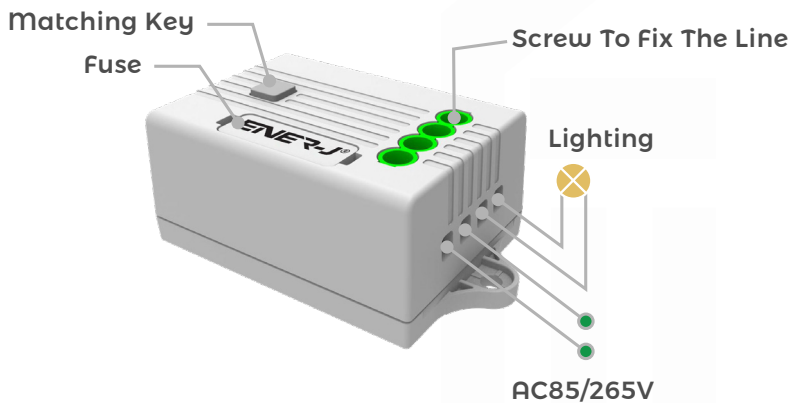
Limitless applications - fast installation in any location, easily place the switch on any surface such as glass, marble, wood and metal.



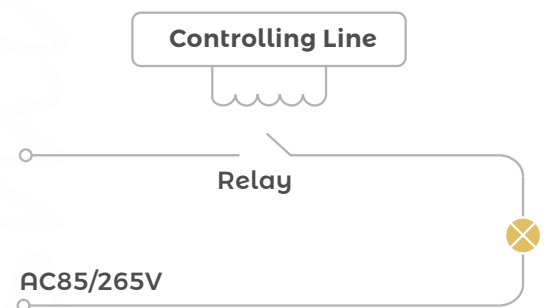
### Wireless Kinetic Controller

The ENER-J wireless controller with a high-efficiency switching power supply has a wide voltage range with excellent stability and durability. The controller has a load capacity of 5A or 10A depending on the model. The ENER-J wireless controller is equipped with an in-rush current suppression function thus creating a safe and durable product.

In order to prevent accidental short-circuit the controller is designed with a replaceable fuse. Even if a short-circuit occurs the fuse will immediately protect the controller from damage.

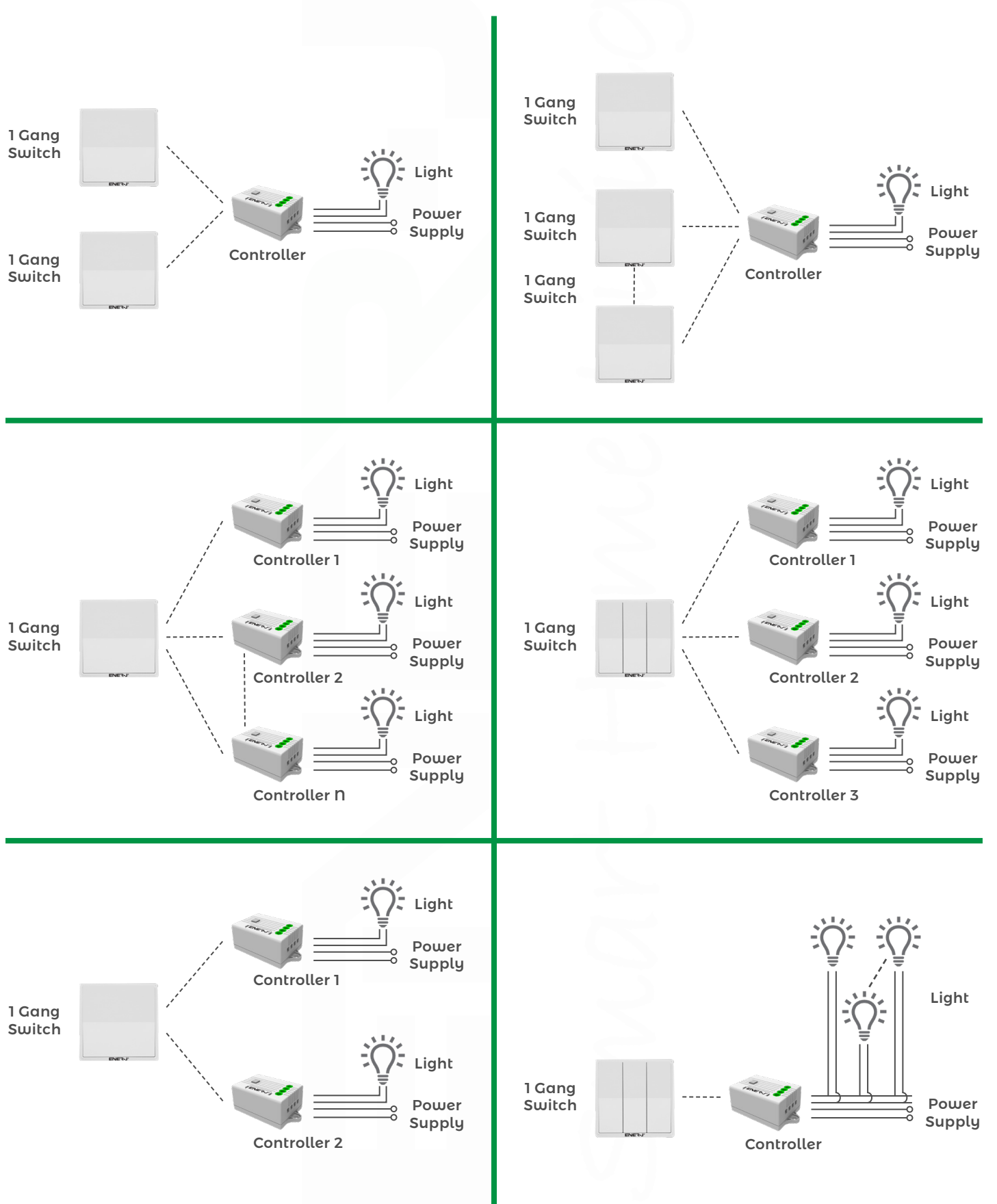


### Line Diagram



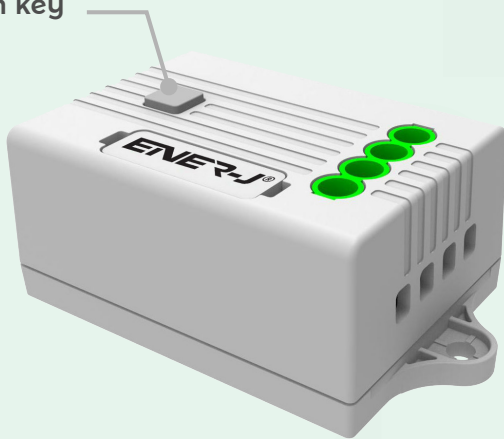
**ENER-J Controller Wireless Systems**

The wireless ENER-J energy switch and wireless receiving controller can be paired with any combination: a controller can be controlled by a maximum of 10 separate switches, a switch can pair an unlimited number of controllers.





Function key

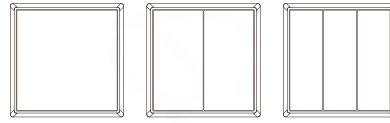


### Wireless Receiver & Controller With High Reliability

- Can stand 380V AC electric current for 24 hours, over voltage (<600V) will not damage it.
- Max control load - see controller specifications.
- Advanced RF technology, multiple algorithm ensures telecommunication stability.
- For each press and radio transmission, the channel is occupied by the wireless signal for only 1 millisecond, and each transmission is done with 3 septal frames; the control is stable and reliable.
- 32 bit device ID, 4 billion keys, chance of miss control is extremely low.

### Specifications

#### Wireless Switch



1 Gang

2 Gang

3 Gang

#### Colours



White

Silver

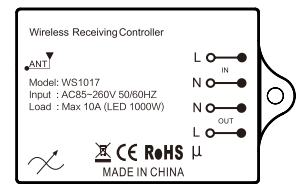
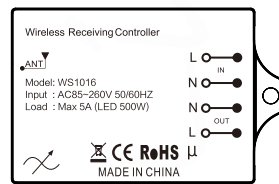
### Wireless Controller Specifications

Model: WS1016

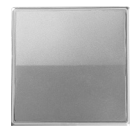
Input: AC85-260V 50/60HZ  
Load: Max 5A (LED 500W)

Model: WS1017

Input: AC85-260V 50/60HZ  
Load: Max 10A (LED 1000W)



### Basic Control Model



Wireless kinetic energy switch

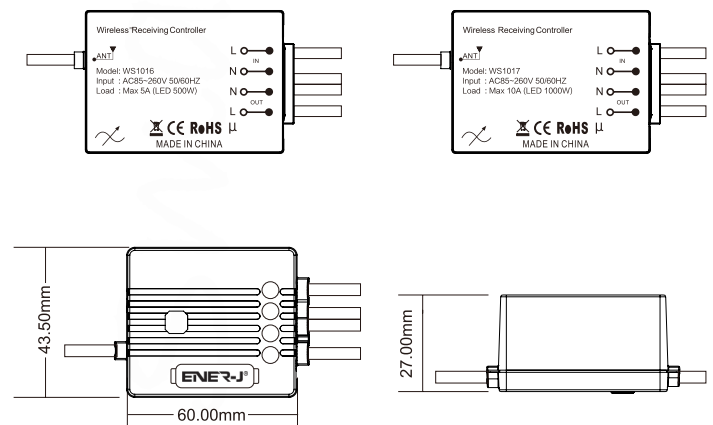
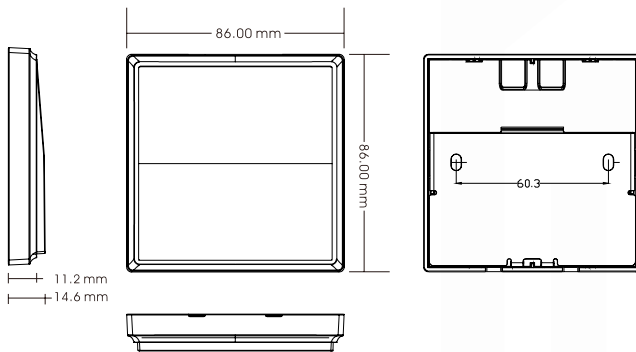


Wireless Receiver & Controller



Lamps

### Product Dimensions



### ENER-J Wireless Controller Specifications

- **Power supply type:** AC85V - 260V, 50/60Hz
- **Voltage Range:** 85V - 260V
- **Sensitivity:** -116dB
- **WS1016**  
**Control Load:** 5A Fused  
Max Load for LED Lighting - 500W & 2200W for other loads.\*
- **WS1017**  
**Control Load:** 10A Fused  
Max Load for LED Lighting - 1000w & 2200w for other loads.\*
- **Outer Shell Material:** DOW PC (fire)V-0
- **Weight:** 25g
- **Life Time:** 150,000 times on/off
- **Work Environment Temperature:** -30° -50°C
- **Control Distance:** -160 meter (outdoor); 30 meter (indoor)
- **CE Certificate:** CELVD:SGS LVD GZES 1407007368LM
- **Control Method:** Pairing with ENER-J Wireless Switch

\*Maximum loads may vary from manufacturer to manufacturer of the load.

### ENER-J Wireless Switch Specifications

- **Work Type:** 86 size rocker type
- **Power Source:** Micro Energy Acquisition and self-powered
- **Communication Model:** FSK
- **Work Frequency:** 433MHz
- **Keys:** 1-3
- **Life Time:** 200,000 times on/off
- **Outline Dimensions:** L86mm x W86mm x H14.5mm
- **Weight:** 85g-110g
- **Control Distance:** 160m (outdoor); 30m (indoor)
- **Control Method:** Pairing with ENER-J Wireless Controller

