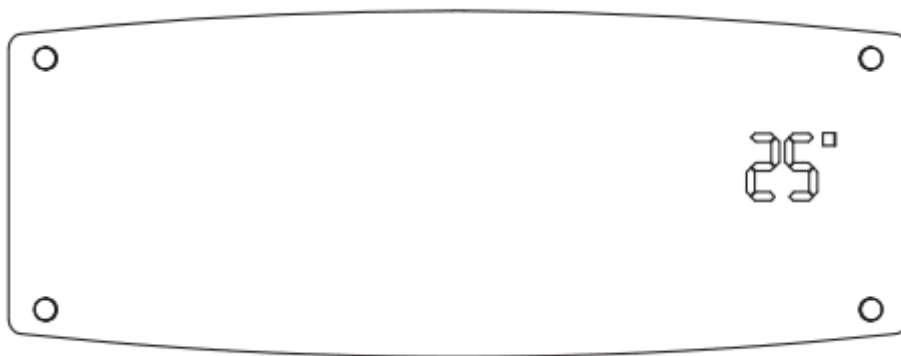


Devola

2000W Glass Panel Air Curtain User Manual



MODEL(s): UK - DVSH20B / DVSH20WH

EU – DVSH20BE / DVSH20WHE

Please read the instructions carefully before use.

Important Safety Instructions

Read this manual thoroughly before first use, even if you are familiar with this type of product. The safety precautions enclosed reduce the risk of fire, electric shock and injury when correctly adhered to. Make sure you understand all instructions and warnings. **Keep the manual in a safe place for future reference**, along with any warranty information, your purchase receipt, and the original carton. If you sell or transfer ownership of this product pass on these instructions to the new owner.

Always follow basic safety precautions and accident prevention measures when using an electrical appliance, including the following:

Electrical safety and cord handling

Voltage: Before plugging in the heater, make sure your outlet voltage and frequency correspond to the voltage stated on the appliance rating label.

Electrical circuit: To prevent overloading a circuit, do not plug the heater into a circuit that already has other appliances working. **No adaptor, no extension cord:** Do not use the heater with a power board or double adaptor as this may overheat and create a fire risk. Do not use it with an extension cord because the cord may overheat and cause a risk of fire.

WARNING: To reduce the risk of fire, electric shock, or injury:

- Never touch the heater with wet or damp hands or feet.
- Do not use the heater if any part of it has become wet. Immediately call a qualified service technician to inspect the heater and replace any part of the electrical system that has been wet.
- Never spill liquid into the heater; never immerse the cord, plug or any part of the appliance in water or any other liquid. Do not reach for an appliance that has fallen into water. Switch off and unplug immediately.

Damage: Do not operate the heater with a damaged cord or plug. The heater must also not be used after any malfunctions or if it has been dropped or damaged. If the supply cord is damaged, it must be replaced by the manufacturer or an authorised service agent to avoid a hazard.

Plug: It is normal for the plug to feel warm; however, a loose fit between the AC outlet and plug may cause overheating and distortion of the plug. Contact a qualified electrician to replace a loose or worn outlet.

Protect the power cord:

- Do not twist or kink the cord or let it touch heated surfaces.
- Do not put any stress on the cord where it connects to the product.
- Arrange the cord away from any traffic areas so no one will trip over it.
- Do not run the cord under carpeting; do not cover it with rugs, runners etc.
- Only operate the heater with the power cord fully unwound. Using it with the cord coiled up could cause overheating and present a hazard.

After use: Always disconnect power when the heater is not in use and before cleaning, servicing, or moving the heater. To disconnect the heater, switch it off and remove the plug from outlet. When disconnecting, grip the plug, do not pull on the cord.

Important Safety Instructions (Cont.)

Safety switch: Unless your home is already fitted with a residual current device (safety switch), we recommend installing an RCD with a rated residual operating current not exceeding 30mA to provide additional safety protection when using electrical appliances. See your electrician for professional advice.

Usage Conditions and Restrictions

Indoor domestic use only: This appliance is intended for indoor household use only. It is not suitable for commercial or trade use. Do not use it outdoors, on wet surfaces or near a swimming pool.

Space heating only: Do not use this appliance for anything other than its intended purpose, and only use it as described in this manual. Any other use is not recommended and may cause fire, electric shock, or injury.

No clothes drying: Do not use this appliance as a drying rack for clothing.

Accessories: The use of accessory attachments is not recommended by the appliance manufacturer as this may result in fire, electric shock, or personal injury.

Ventilation: Only use this heater in a well-ventilated area. To prevent a possible fire, do not block the space between the heater and the wall (if wall-mounted). This space is required for air intake or exhaust.

Keep openings clear: To prevent a possible fire, do not insert or allow objects to enter any ventilation or exhaust openings. Do not block air intakes or exhaust openings in any manner.

WARNING: No external timer! Never operate the heater on a program switch, separate timer switch or any other appliance for automatic operation, as there is a risk of fire if the heater is covered or positioned incorrectly. To avoid a hazard due to inadvertent resetting of the thermal cut-out, do not connect it to a circuit that is regularly switched on and off by the utility.

WARNING! Damaged glass panel: Do not use the heater if the glass panel is damaged.

WARNING: Protect from water: Do not use this heater in the immediate surroundings of a bath, shower, water basin or swimming pool (if used freestanding). Never locate this appliance where it may fall into a bathtub or otherwise become immersed in water.

Usage restriction: This appliance is not intended for use by persons (including children) with reduced physical, sensory, or mental capabilities, or lack of experience and knowledge, unless they have been given supervision or instruction concerning use of the appliance by a person responsible for their safety.



DANGER! Do not cover the heater in any manner as it may overheat and become a fire risk.

Important Safety Instructions (Cont.)

Children: Supervise children to ensure they do not play with the heater. Close supervision is necessary when any appliance is used by or near children. Unattended: Do not leave children unattended with the appliance when it is in use.

CAUTION: Hot! This heater is hot when in use. To avoid burns, do not let bare skin touch hot surfaces. Be particularly careful when children and vulnerable persons are present. Always let the heater cool down before touching it, even if it is unplugged from the power supply.

To ensure personal safety, do NOT install or use this heater:

- In front of or immediately below a power point.
- Close to a radiant heat source.
- Behind a door.
- On long pile carpet or a flokati rug.
- Near a window where it may get splashed with rain.
- Near flammable materials or surfaces (such as furniture, curtains, pillows, bedding, papers, clothes), or near open flames. Keep flammable materials at least 1m away from the front, sides, and rear of the heater.
- In any areas where petrol, paint or other flammable liquids are stored, such as in a garage or workshop, as the heater has hot and arcing parts inside which may spark.

Wall-mounting: When wall-mounting the heater, only mount it to an appropriate, sturdy wall that can support the weight of the heater. **Do not mount this heater on the ceiling!**

Bathroom usage: If this heater is wall-mounted in a bathroom, it must be installed at a safe distance from the bath or shower. The heater must be installed so that person in the bath or shower is unable to touch the control. Any power outlet in a bathroom must be located 3m from a bath or shower.

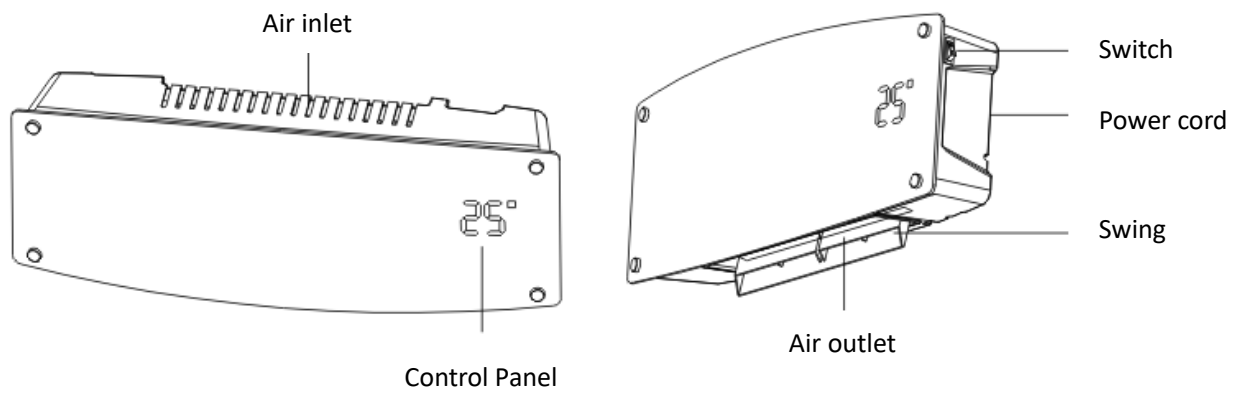
Service: This heater contains no user-serviceable parts inside. Do not attempt to open and repair the heater yourself. Other components should only be serviced by a qualified technician. All covers are intended to prevent direct access to the heating elements and must be in place when the appliance is in use.

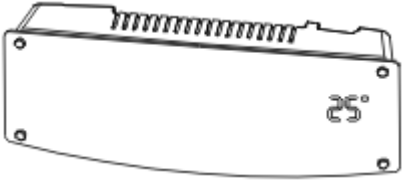
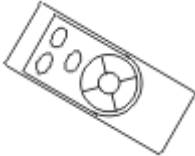


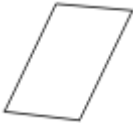
Malfunction: In case of malfunction, disconnect the plug immediately and contact our after-sales support team for advice.

Storage: To avoid damaging the heater during storage or transport, keep the heater in a dry place, free from excessive vibration.

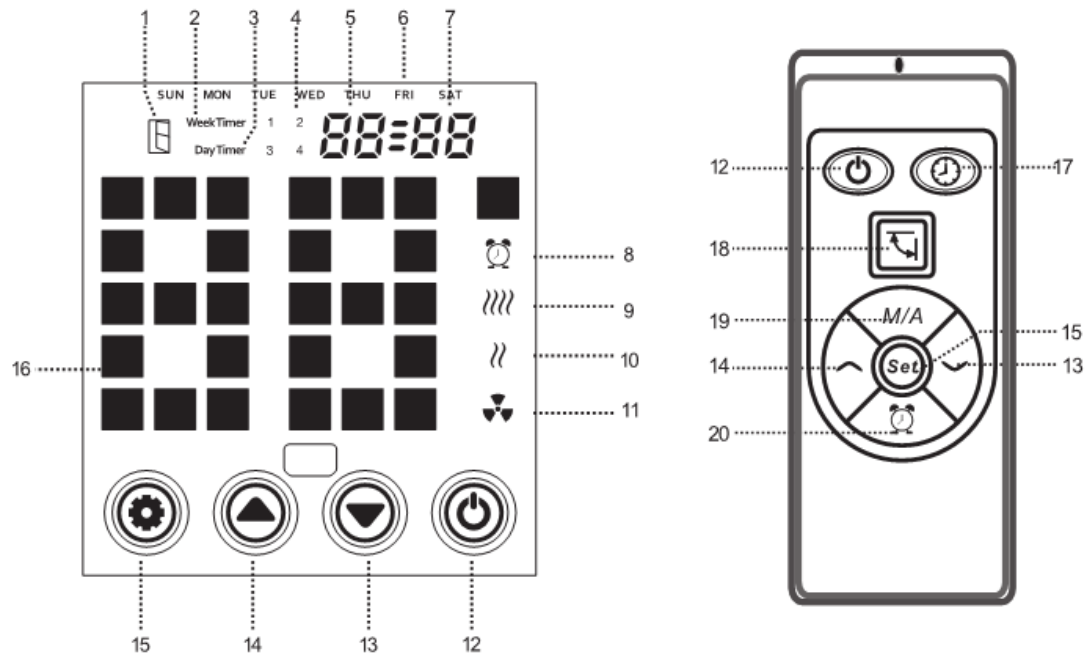
Improper use: Improper use or installation may result in the risk of fire, electric shock and/or injury. We do not accept liability for any damage caused by improper use or incorrect handling.

Product Overview



Description	illustration	Qty
Fan Heater		X1
Remote		X1
Wall Plug (for wall mounting)		X2
Screw (for wall mounting)		X2
Instructions		X1

Product Overview (Cont.)



- | | | |
|---------------------------|------------------------|--|
| 1. Open Window Indicator | 8. Timer Scheduled | 15. Temperature Set button (°C) |
| 2. Auto Mode | 9. High Heat Indicator | 16. LED Number Display |
| 3. Manual Mode | 10. Low Heat Indicator | 17. Time Set button |
| 4. Timer Period Indicator | 11. Fan Indicator | 18. Swing button |
| 5. Hour Indicator | 12. On/Off Button | 19. Manual (24Hr)/ Auto (Week) Mode Button |
| 6. Day Indicator | 13. Down Select Button | 20. Timer Set button |
| 7. Minute Indicator | 14. Up Select Button | |

NOTE: Due to continued product improvement, images and illustrations in this manual may vary slightly from the product purchased. All images in this manual are for reference purposes only. Parts are not necessarily pictured to scale.

Getting Started

Unpacking

Carton: This product has been packaged to protect it against transportation damage. Unpack the appliance and keep the original packaging carton and materials in a safe place. It will help prevent any damage if the product needs to be transported in the future, and you can use it to store the appliance when it is not in use. In the event the carton is to be disposed of, please recycle all packaging materials where possible.

Plastic wrapping can be a suffocation hazard for babies and young children, so ensure all packaging materials are out of their reach and disposed of safely.

Cord: Inspect the power supply cord and plug, and all other parts of the appliance, for visual damage. Do not use the appliance if anything appears to be damaged or not working properly. The cord is 1.5m in length.

In case of damage, contact the Devola after-sales customer support team.

Documentation: Make sure you have read and understood all instructions and warnings in this manual. Refer to the Product Overview to familiarize yourself with the product and identify all parts. Pay particular attention to the safety instructions on the previous pages.

Remote control: The heater comes with a remote control powered by a 3V CR2032 battery. Please refer to the instructions in the Other Useful information section for support on how to replace the battery.

Plug: The DVSH20B and DVSH20WH models have UK 3 pin BS plugs. The DVSH20BE and DVSH20WHE models have Euro two pole plugs.

Wall-mounting

IMPORTANT!

Only mount this heater on a structurally sound, heat-resistant wall area that is strong enough to hold the weight of the heater. If in doubt, consult a builder. **Do not mount this heater on the ceiling!**

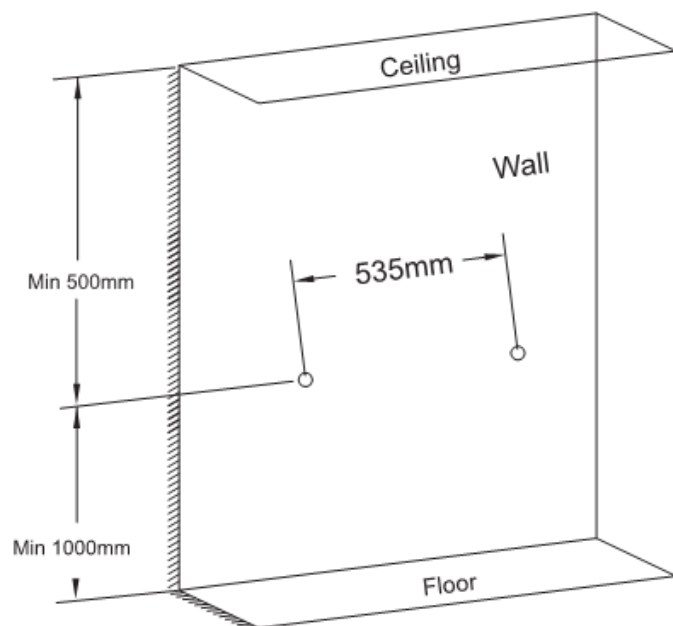
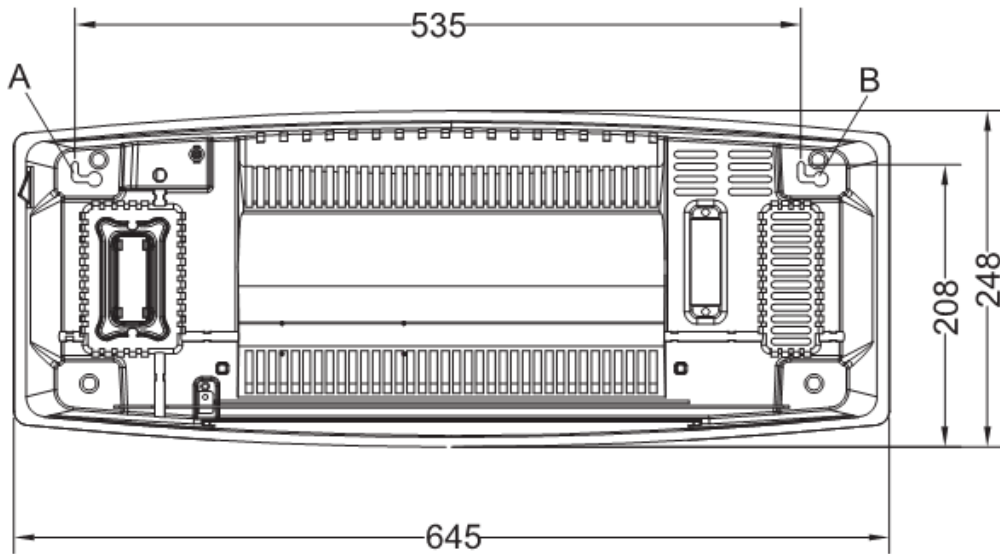
The supplied installation hardware (and the instructions below) are for wall-mounting the heater onto a **masonry wall**. Please obtain expert advice if you intend to wall-mount the appliance onto any other type of wall.

Make sure to maintain the following minimum clearances when wall-mounting the heater: 10cm above the floor and 0.5 m below the ceiling.

Do not connect the appliance to the mains power supply until completely assembled, installed, and adjusted.

Do not installed in a bathroom, Ensure the heater away from wet space or water.

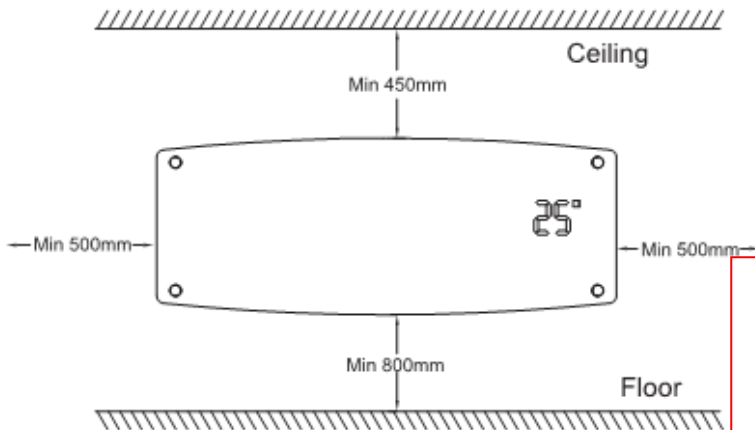
Getting Started (Cont.)



- Drill two holes in the wall 535mm apart, where you want to position the heater — their diameter should be wide enough, so they just tightly contain the plastic wall plugs.
- Insert the supplied wall plugs and screws into the holes, leaving the head to protrude approximately 3-5mm.
- To affix the heater to the wall, align the screws with the holes in the two holes and hang the heater securely on the screws.

Getting Started (Cont.)

To take the heater off the wall, pull the heater upwards about 5mm and then to the left about 10mm before gently pulling it away from the mounting screws and off the wall.



This heater **MUST** be installed to the minimum required distances at the four sides of the heater.





WARNING!

Do not connect the heater to the power supply until it is securely mounted to the wall or until the stands are securely fitted. Correct installation is required for safe and reliable operation

Operating Instructions

Using the heater

Panel Control	ON/OFF		Use the power button to turn the heater on or off.
	Mode Select	or	Use the up and down select button to cycle between the fan, half power (1000W), and full power (2000W) heating mode.
	Set Temperature	+ or	Press the temperature set button followed by the up or down arrows to select desired temperature. Environment temperature range: 5-45 °C.
	Child Lock		Hold the up and down select buttons at the same time for five seconds to switch the child lock function On or Off.
	Delete Timer		Hold the temperature set button for five seconds to delete the day and week timer.
Remote Control	ON/OFF		Use the power button to turn the heater on or off.
	Mode Select	or	Use the up and down select button to cycle between the fan, half power (1000W), and full power (2000W) heating mode.
	Set Temperature	+ or	Press the temperature set button followed by the up or down arrows to select desired temperature. Environment temperature range: 5-45 °C.

Swing Function		Press the swing button to turn the louver oscillation function on or off.
Set Time/Date		Press the time set button and use the up and down select buttons to cycle between the days of the week until you reach the current day. Press the time select button again to store the current day. Press the time select button for a further time to set the current hour of the day. Press the time select button to store the hour and you will be promoted to set the minutes. To store the above data, you can press the time set button once more or alternatively wait three seconds and the unit will automatically save.
24Hr Shutdown Timer		Ensure you are in day timer mode using the M/A button. Press the timer set button and you will be prompted to set the hour that you want the unit to switch off using the up and down select buttons. Press the timer set button again to store the hour and use the up and down select buttons again to set the shutdown time minute. You are only able to set a shutdown time within 24 hours in day timer mode. If the time is currently 20:00 on Monday and you select a shutdown time of 19:00 the heater will shut down at 19:00 on Tuesday.
Weekly Timer		Ensure you are in weekly timer mode using the M/A button. Press the timer set button and use the up and down select buttons to cycle between the days of the week until you reach the desired day. Press the timer set button again to set a start-up hour for heating segment 1. Press the timer set button to select a shutdown time for heating segment 1. Please note you can only set start up and shutdown timers in 1-hour increments; minutes cannot be set. You can set up to four heating segments each day. There will be a 1, 2, 3 or 4 on the display to indicate which heating segment you are currently setting. If you would like to set less than 4 segments per day continue pressing the timer set button until you reach the end of the cycle at segment four. You can amend heating segment start up and shutdown times by repeating the above process.
Timer Mode Switch	M/A	Press the M/A button to switch between the day and weekly timer.

Other Useful Information

CAUTION!

Always switch off and disconnect the appliance from the power supply before attempting any maintenance or cleaning the heater.

Troubleshooting

If your heater fails to operate, or you experience any other problem with the appliance, contact our after-sales customer service team for advice. But before phoning for a service, please ensure that:

- The heater is properly plugged in.
- The outlet is working, and the circuit breaker or fuse are also working properly.

Safety features

The unit is equipped with a overheat protection mechanism which shuts off the heater automatically in case of overheating. The heater will automatically turn back on when the internal temperature has dropped to a safe level.

IMPORTANT!

The most common cause of overheating is deposits of dust or fluff in the appliance. Ensure these deposits are removed regularly by unplugging the appliance and vacuum cleaning air vents and grilles.

Also make sure that the appliance can sufficiently dissipate the heat generated. This is particularly important in case the overheat protection has been triggered. Ensure there is sufficient room all around the heater, and nothing is covering or obstructing the air outlet or intake.

Other Useful Information (Cont.)

Cleaning and maintenance

The heater requires regular cleaning to ensure trouble-free operation.

- Before cleaning your heater, switch off the heater and allow it to cool. Disconnect the electricity supply to the appliance.
- Use a damp cloth (not wet) to wipe the exterior of the heater to remove dust and dirt. Allow some time for the heater to dry thoroughly before reconnecting it to the power supply.
- **Do not use abrasive cleaning powders or furniture polish, as this can damage the surface finish. Do not immerse the cord, plug or heater in water or other liquid for cleaning.**
- Use a vacuum cleaner to remove dust and fluff from around the grilles.
- To clean behind the heater, hold the heater by the sides and gently pull it up and then towards you. Clean behind the heater and then reattach it securely on the mounting brackets.

Storage

- If you are not going to use the heater for an extended period, we recommend that you clean the heater and then protect it from dust.
- For long term storage, you can dismantle it from the wall and store it in its original carton (or cover it with some material) to protect it from dust.
- Store the heater in a cool, dry place, out of children's reach.

Servicing

- If the power cord is damaged and needs replacing, it must be replaced by a service agent or equivalent qualified person to prevent a hazard.

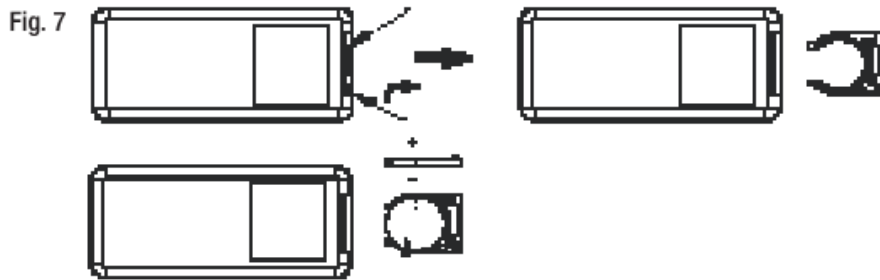
CAUTION!

Do not attempt to open the heater and repair it yourself. Any repairs must be carried out by a qualified technician.

Other Useful Information (Cont.)

Battery replacement

If the battery in the remote control is flat, replace it with a new 3V CR2032 size button cell following the instructions (Fig. 7):



- Push the locking tab to one side and pull out the battery holder at the back side of remote control.
- Remove the old button cell from the holder and insert a new one of the same type, observing the polarity as illustrated above.
- Insert the battery holder back into the remote control.



DANGER if swallowed

WARNING!

Keep batteries out of reach of children. Swallowing may lead to serious injury or death in as little as 2 hours due to internal burns. If swallowed, go straight to a hospital emergency room. Dispose of used batteries immediately.

- Do not open the batteries or short-circuit them.
- Do not mix different types of batteries. Due to increased risk of leakage, empty batteries should be removed. The batteries should also be removed from the remote control if it is not being used for long periods.
- Only dispose of batteries when they are fully discharged.
- **WARNING: Danger of explosion!** To prevent a risk of explosion, batteries must not be charged, heated, or disposed of by burning. Never throw batteries into a fire or subject batteries to high temperatures.
- Used batteries should not be disposed of in household waste. Dispose of them in accordance with statutory regulations.

Other Useful Information (Cont.)

Technical specifications

Model No(s)	DVSH200B/DVSH20WH/DVSH20BE/DVSH20WHE
Rated Power	2000W
Rated Voltage	220-240V~50Hz
Dimensions	645 (W) x 250 (D) x 130 (H)
Weight	4Kg

Compliance

This appliance has been fully tested and meets all requirements as set out by standards EN 60335-1 and EN 60335-2-30.

Responsible disposal

At the end of its working life, do not throw this appliance out with your household rubbish. Electrical and electronic products contain substances that can have a detrimental effect on the environment and human health if disposed of inappropriately. Observe any local regulations regarding the disposal of electrical consumer goods and dispose of it appropriately for recycling. Contact your local authorities for advice on recycling facilities in your area.

Table for information requirements for electric local space heaters					P
Model identifier(s): DVSH20B/DVSH20WH/DVSH20BE/DVSH20WHE					
Item	Symbol	Value	Unit	Item	Unit
Heat output				Type of heat input, for electric local space heaters only (select one)	
Nominal heat output	P _{nom}	2.0	kW	Manual heat charge control with integrated thermostat	[no]
Minimum heat output (indicative)	P _{min}	1.0	kW	Manual heat charge control with room and/or outdoor temperature feedback	[no]
Maximum continuous heat output	P _{max.c}	2.0	kW	Electronic heat charge control with room and/or outdoor temperature feedback	[no]
Auxiliary electricity consumption				Fan assisted heat output	
At nominal heat output	e _{lmax}	1.892	kW	Type of heat output/room temperature control (select one)	
At minimum heat output	e _{lmin}	0.941	kW	Single stage heat output and no room temperature control	[no]
In standby mode	e _{lSB}	0.0004	kW	Two or more manual stages, no room temperature control	[no]
				With mechanic thermostat room temperature control	[no]
				With electronic room temperature control	[no]
				Electronic room temperature control plus day timer	[no]
				Electronic room temperature control plus week timer	[yes]
				Other control options (multiple selections possible)	
				Room temperature control, with presence detection	[no]
				Room temperature control, with open window detection	[yes]
				With distance control option	[no]
				With adaptive start control	[no]
				With working time limitation	[no]
				With black bulb sensor	[yes]
Contact details:					
Remark: For electric local space heaters, the measured seasonal space heating energy efficiency η_s cannot be worse than the declared value at the nominal heat output of the unit.					

Warranty

Guarantee and service policy

This product is covered by a standard parts or replacement warranty for a period of 12 months from the date of purchase. Extend your warranty for 12 months for free by visiting www.devola.co.uk/warranty.

Incorrect installation and failure to follow correct operating instructions are excluded. Consequential costs such as labour charges or damage to surroundings are expressly excluded.

Contact Us

If you experience a problem with this product you should first contact us on 0121 250 2180 before taking any further action.

CLAIM YOUR EXCLUSIVE 5% OFF YOUR NEXT ONLINE ORDER

DISCOUNT CODE: DEV5

OFFER VALID FOR 21 DAYS. DON'T MISS OUT!

YOUR DISCOUNT CODE ALSO APPLIES TO OUR SISTER WEBSITES

Visit our websites:

www.devola.co.uk

www.energybulbs.co.uk

www.airconcentre.co.uk

www.ledbulbs.co.uk

