



# MASTER LEDspot ExpertColor LV



## MASTER LED ExpertColor 6.7-35W MR16 927 60D

MASTER LEDspot LV ExpertColor creates a warm and comfortable ambience for hospitality venues, homes and restaurants. It creates such an ambience with superior lighting that has a customised spectrum, high CRI and deep dimming feature. The result? A beautiful lighting experience. What's more, the innovative, trimless lens design will suit almost any interior decor with its clean and neat look. In addition, you can take advantage of the full ExpertColor family, which also includes LEDspot MV lamps.

### Product data

General Information		Luminous flux in 90° cone (rated)	
Cap base	GU5.3		400 lm
Nominal lifetime	40,000 h	Photobiological safety according to EN 62471 RG1	
Switching Cycle	50,000	Operating and Electrical	
Lighting Technology	LED	Line Frequency	- Hz
Flux measurement reference	Narrow Cone	Input frequency	- Hz
Light Technical		Power Consumption	6.7 W
Colour Code	927 [CCT of 2700K]	Lamp current (nom.)	650 mA
Beam angle (nom.)	60 degree(s)	Wattage equivalent	35 W
Luminous Flux	400 lm	Starting time (nom.)	0.5 s
Luminous intensity (nom.)	410 cd	Warm-up time to 60% light	0.5 s
Luminous efficacy (rated) (nom.)	59.00 lm/W	Power Factor (Fraction)	0.7
Colour designation	Warm White (WW)	Voltage (nom.)	ac electronic 12 V
Correlated Colour Temperature	2700 K	Temperature	
Colour consistency	<3	T-Case maximum (nom.)	92 °C
Colour rendering index (CRI)	97		
LLMF at end of nominal lifetime (nom.)	70 %		

# MASTER LEDspot ExpertColor LV

## Controls and Dimming

Dimmable	Only with specific dimmers
----------	----------------------------

## Mechanical and Housing

Bulb shape	MR16
------------	------

## Approval and Application

Energy Efficiency Class	G
Suitable for accent lighting	Yes
Energy consumption kWh/1,000 hours	7 kWh
EPREL registration number	624205
CE mark	Yes
EU RoHS compliant	Yes
EyeComfort	Yes

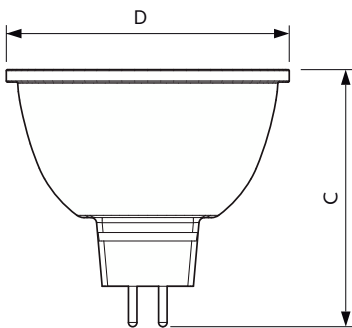
## Application Conditions

Can it be used in closed luminaires	No
-------------------------------------	----

## Product Data

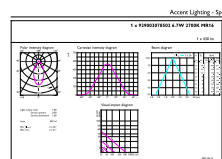
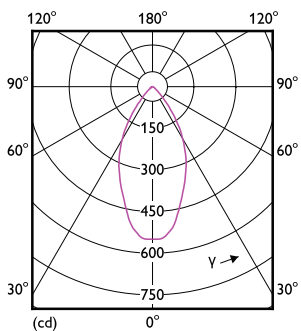
Order product name	MAS LED ExpertColor 6.7-35W MR16 927 60D
Full product name	MASTER LED ExpertColor 6.7-35W MR16 927 60D
Full EOC	871951435877500
Order code	35877500
Material no. (12 NC)	929003078502
Numerator – quantity per pack	1
Net Weight (Piece)	0.052 kg
EAN/UPC – Product/Case	8719514358775
Numerator – packs per outer box	10
EAN/UPC – Case	8719514358782

## Dimensional drawing



Product	D	C
MAS LED ExpertColor 6.7-35W MR16 927 60D	50.5 mm	46 mm

## Photometric data

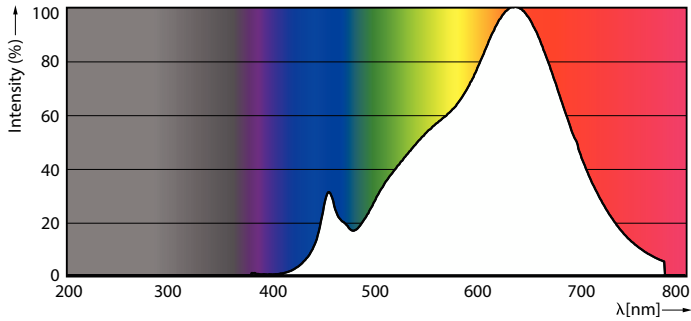


Light Distribution Diagram - MAS LED ExpertColor 6.7-35W MR16 927 60D

Accent Lighting Spots - MAS LED ExpertColor 6.7-35W MR16 927 60D

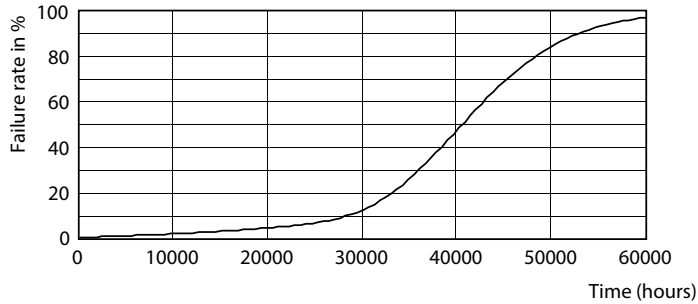
# MASTER LEDspot ExpertColor LV

## Photometric data

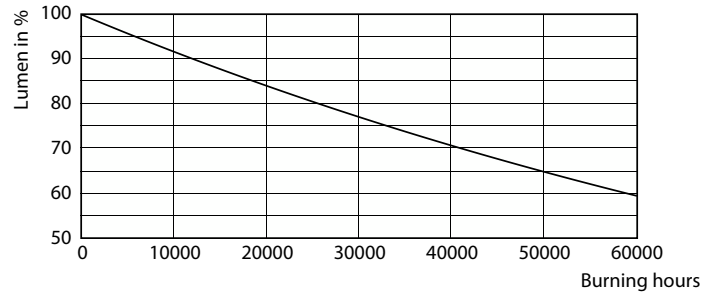


Spectral Power Distribution Colour - MAS LED ExpertColor 6.7-35W MR16 927 60D

## Lifetime



Life Expectancy Diagram



Lumen Maintenance Diagram - MAS LED ExpertColor 6.7-35W MR16 927 60D

