
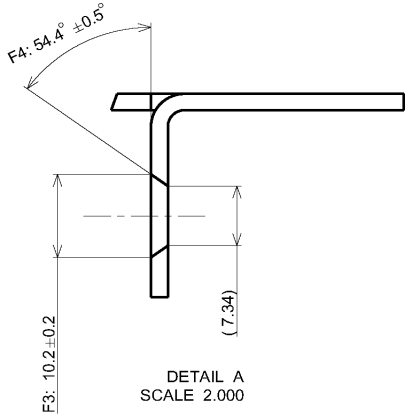
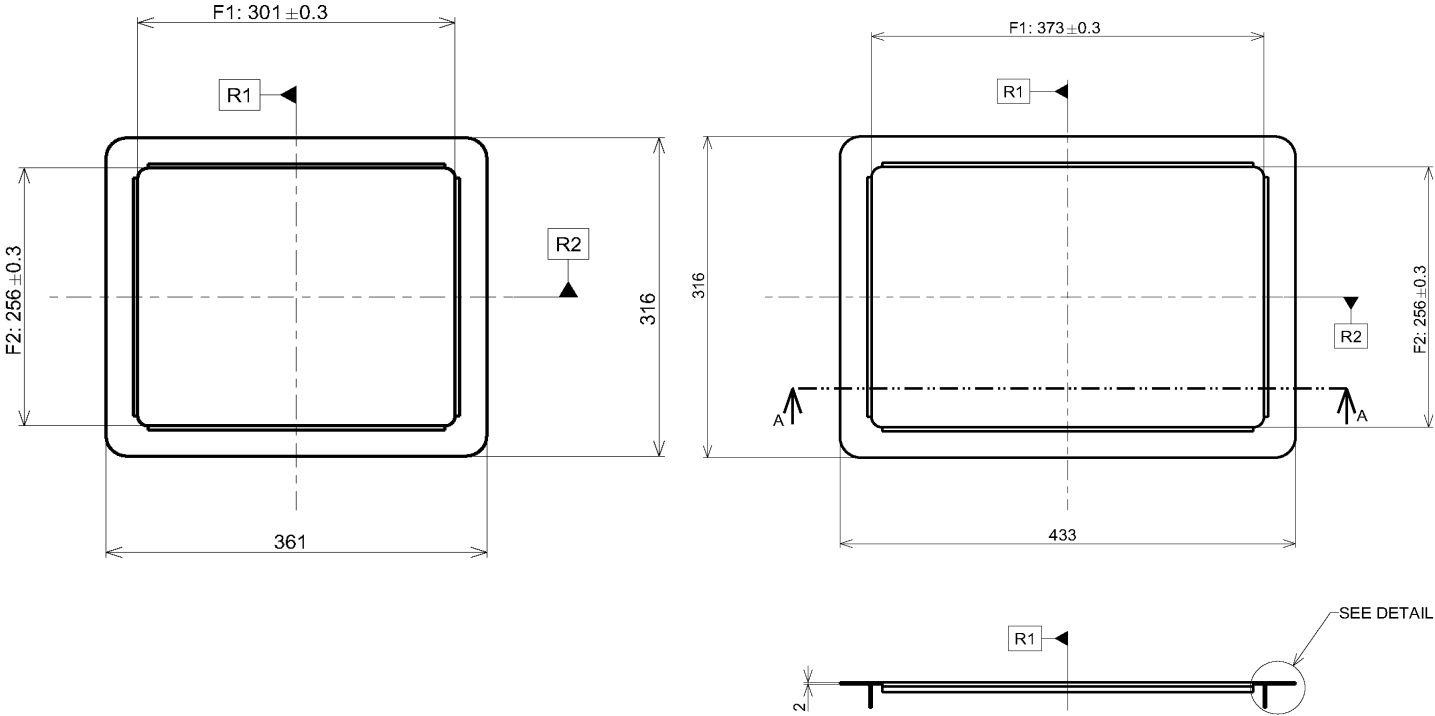


	FLUSH MOUNTING FRAME						
	14P		18P		24P		
	AFMF14		AFMF18		AFMF24		
FRAME FOR MODULAR ENCLOSURE							
PART NUMBER							
GTIN-13	5060523524365		5060523524372		5060523524389		
INNER CARTON QUANTITY	1		1		1		
OUTER CARTON QUANTITY	10		10		10		
DIMENSIONS (HxWxD)mm	316x361x30		316x433x30		316x541x30		
WEIGHT (1PC) Kg	1		1.2		1.4		
	<p>Designed to fit around the base of a FuseBox consumer unit allowing it to be flush mounted or semi-recessed depending on installation.</p> <p><b>Installation</b></p> <p>AFMF Flush mounting frame should be secured to the wall with 4 of no.10 wood screws.</p> <p>AFMF frame must be fitted and secured to the wall before consumer unit base is inserted.</p> <p>The consumer unit <b>base should sit proud of the wall by 12mm (minimum)</b> so the front cover can be fitted.</p> <p>Consumer unit <b>base should be fixed to the wall using 4 screws.</b></p> <p>The Flush mounting frame is <b>NOT</b> fixed to the base of the consumer unit!</p>						
MATERIAL	2mm ELECTRO GALVANISED STEEL (ZINC)						
FINISH	RAL 9001 POWDER COATED SMOOTH FINISH						
ORIGIN OF MANUFACTURE	CHINA						

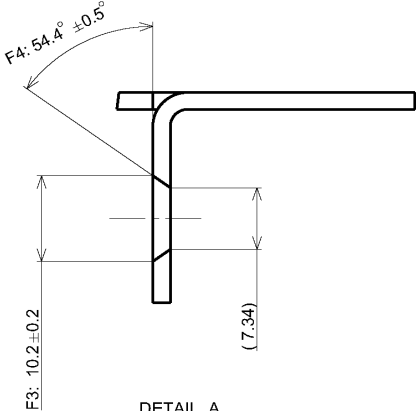
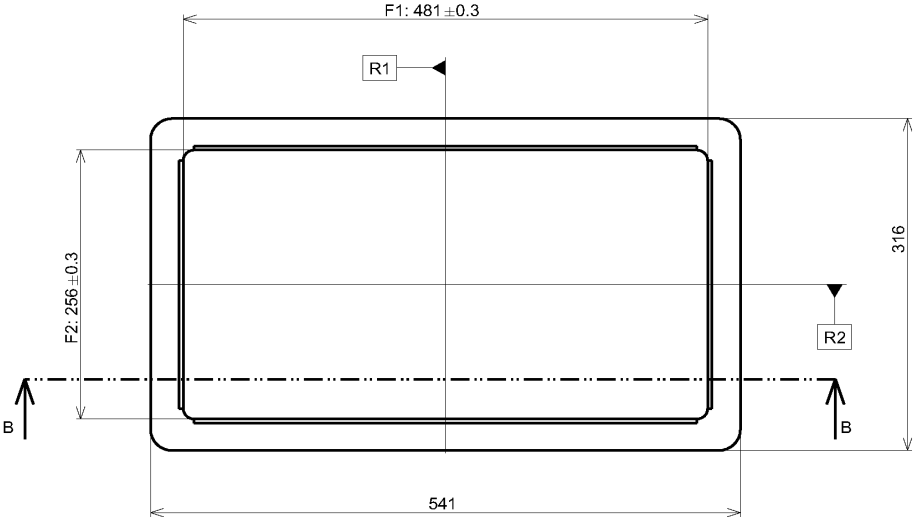
DIMENSIONS

AFMF14

AFMF18



AFMF24



DETAIL A  
SCALE 2.000



SECTION B-B

