

## DOWNLIGHTS



### ULTIMUM 5W, 7W AND 7W CCT SELECTABLE FIRE RATED DOWNLIGHT

The Ultimum is our latest “dimmable as standard” downlight which is also Low Glare, IP65 and Fire rated. The range includes 5W, with higher performance than halogen or LED “lamp in a can”, 7W for areas that need that little extra light, or 7W colour temperature selectable for an alternative CCT where use of the lit space might change. All versions provide extensive energy and maintenance cost savings to reduce CO<sup>2</sup> emissions



#### Applications:

- All rooms in the home
- Retail shops
- Complimentary lighting in offices
- Hotels & Function rooms
- Restaurants, Bars, Clubs and other entertainment venues
- Schools
- Wet rooms and wash down areas

#### Construction:

Polycarbonate trim and LEDchroic lens optic  
Die-cast aluminium heatsink  
Pressed steel and polycarbonate body  
Spring steel ceiling fixing springs with PVC protectors

#### Features:

- Wide range of variants
- Quality construction materials:
  - Padded spring steel ceiling retaining springs
  - Aluminium heat sink
  - Interchangeable moulded polycarbonate trims
  - Robus precision LEDchroic lens
- Utilises:
  - High quality, independently tested, NationStar Optoelectronics LM80 SMD LED's
  - Industry standard TM21 extrapolation method to accurately determine Rated LED Life
  - LM79 testing to produce accurate lighting design files
- Integral State of the Art electronic dimmable driver
- Solid State technology with no heat filaments or electrodes
- IP65 rated
- Fire, Moisture and Acoustic rating tested
- Low profile body design
- Robus 3 pole connector with two spring terminals per pole and cable restraint

#### Benefits:

- For bespoke installation design for replacement of halogen has:
  - Choice of lumen package for retro-fit or quantity optimisation
  - Choice of dedicated or selectable CCT for bespoke design
- Provides
  - No unsightly gaps around trim as it pulls fitting tight to ceiling
  - Excellent heat management for cool running and long life
  - Choice of accessory trim colours to match or contrast decor
  - Low glare, wide beam angle with gentle edge fade for superb area coverage and even uniformity without dark areas
- Many suppliers quote LED lifetime performance without being able to substantiate their claims  
Results from our rigorous testing show these fittings to have:
  - High initial light output comparable to Halogen for maximum fitting utilisation
  - Low lumen depreciation over time for long effective Rated LED life without inconvenient lamp changes
  - Low Colour Temperature and CRI shift for life long light uniformity and quality
- High efficiency driver compatible with many approved trailing and leading edge dimmers for effective mood or task lighting control
- Provides stable drive current for optimum LED light output and long life
- No failures due to cold to hot to cold cycles or building vibrations
- “Instant On” so can be used with PIR's, microwaves or photocells
- The same fitting can be used in wet areas for a common aesthetic
- Complies with Buildings Regs for domestic or commercial installs
- Ideal for installations with shallow void spaces
- Safe, fast and simple push-in connection of the mains supply
- No hot spots or failures due to poor or loose connections
- Loop in/out facility to subsequent fittings

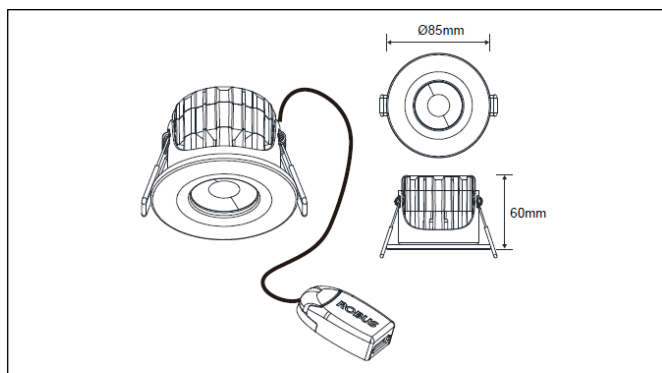


## DOWNLIGHTS



### ULTIMUM 5W, 7W AND 7W CCT SELECTABLE FIRE RATED DOWNLIGHT

Product Code:	RUL0530-01	RUL0540-01	RUL0730-01	RUL0740-01	RUL07X0-01
Comparable to:	50W halogen	50W halogen	50W LV halogen	50W LV halogen	50W LV halogen
Total Power (W):	4.8	4.8	6.6	6.6	6.8/6.8/6.8
Total Light Output (lm):	400	450	560	590	550/590/550
Efficacy (lm / cctW):	88	94	85	89	80/87/80
Rated LED Life (hrs):	30,000	30,000	30,000	30,000	30,000
Warranty (yrs):	3	3	3	3	3
Illuminance at 1m (lx):	390	440	570	600	560/600/560
Beam Angle (deg):	60	60	60	60	60
CCT (K):	3,000	4,000	3,000	4,000	3,000/4,000/6,000
CRI (Ra):	80	80	80	80	80
Ingress Protection (IP):	65	65	65	65	65
Operating Temperature (°C):	-20 ≥ +40	-20 ≥ +40	-20 ≥ +40	-20 ≥ +40	-20 ≥ +40
Power Factor (PF):	0.9	0.9	0.9	0.9	0.9
Diameter (mm):	85	85	85	85	85
Cut Out (mm):	72	72	72	72	72
Depth (mm):	60	60	60	60	60
Projection (mm):	3	3	3	3	3
Box Qty:	1	1	1	1	1
Weight (kg):	0.23	0.23	0.25	0.25	0.25



#### Accessories:

- RULTRIM-03 ULTIMUM TRIM, CHROME
- RULTRIM-10 ULTIMUM TRIM, MATTE BLACK
- RULTRIM-13 ULTIMUM TRIM, BRUSHED CHROME

#### Standards & Approvals:

Complies with: EN 60598-1, EN 60598-2-2, EN 62471, EN 62493, EN 55015, EN 61000-3-2, EN 61000-3-3, BS 476-21

#### Cone Illuminance Diagram:

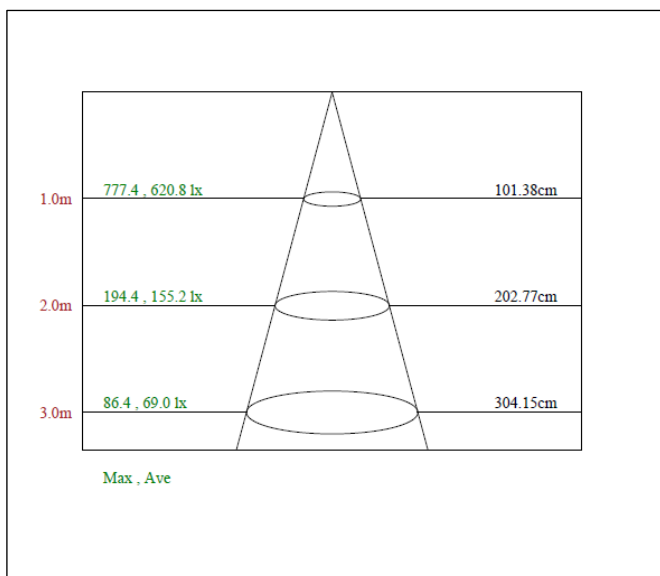
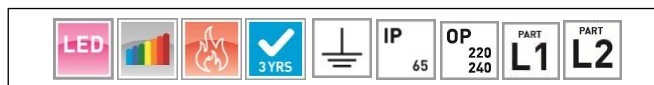


Diagram for RUL0740-01 in 4,000K. Other diagrams available on request



#### Polar Intensity Diagram:

