

DATASHEET

Image



General Information

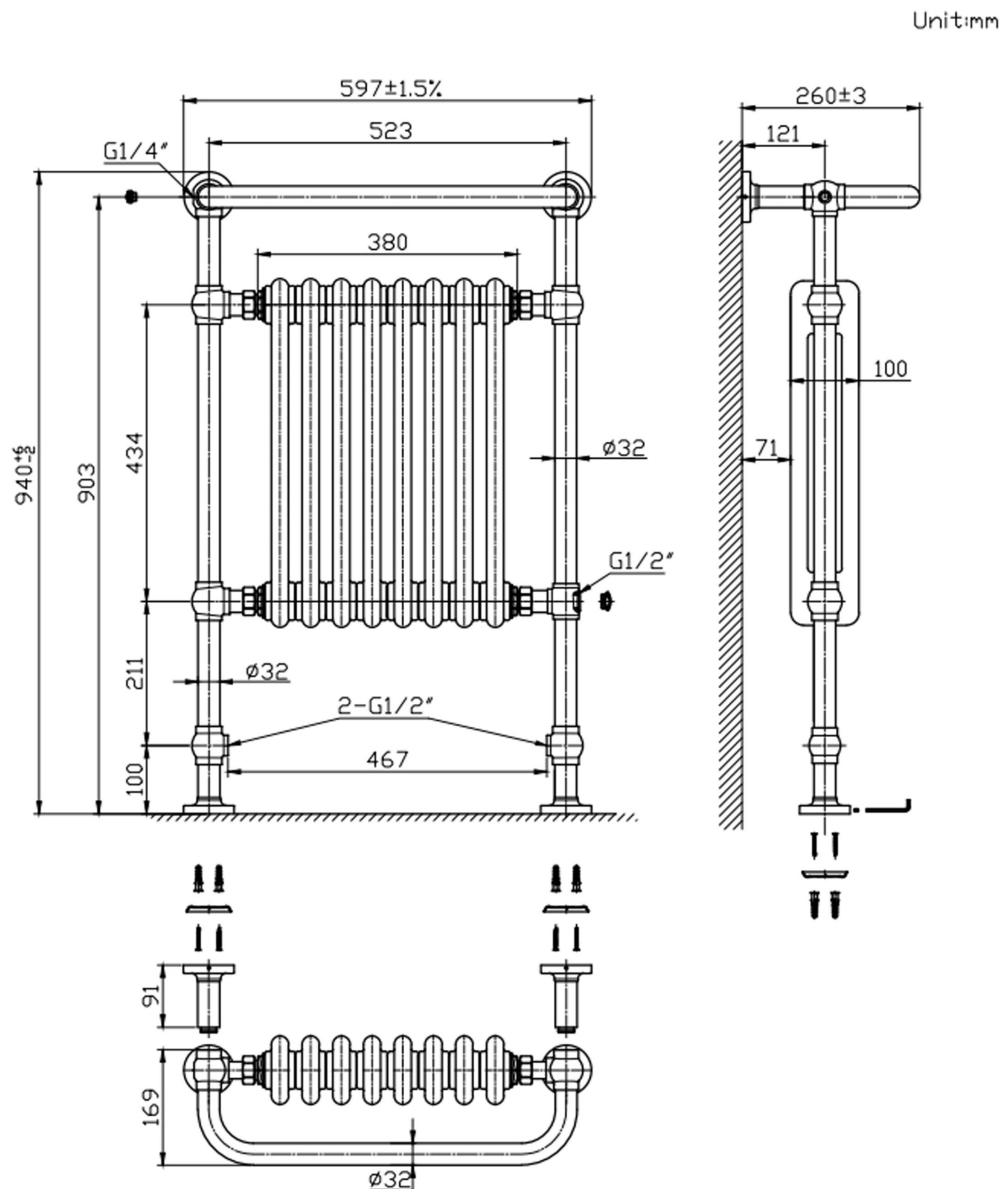
| | |
|------------------|------------------------------|
| Product: | 41.0709 |
| Description: | Isbourne 940 x 600 |
| Website Link: | (Click Here) |
| Product Type: | Towel Rail |
| Brand: | Eastbrook Company |
| Colour: | Brushed Brass/Gloss White |
| Material: | Mild Steel |
| Height (mm): | 940mm |
| Width (mm): | 600mm |
| Net Weight (kg): | 16.7kg |
| Product Range: | Isbourne |

Product Specifications

| | |
|--------------------------------------|-----------|
| Warranty: | 5 Year(s) |
| Supplied with fixings: | Yes |
| Orientation: | Vertical |
| BTU $\Delta T50^{\circ}\text{C}$: | 2383 |
| BTU $\Delta T60^{\circ}\text{C}$: | 3050 |
| Watts $\Delta T50^{\circ}\text{C}$: | 699 |
| Watts $\Delta T60^{\circ}\text{C}$: | 894 |

Drawing

Isbourne 940 x 600mm. Technical Drawing



Tappings : 467mm.
Tappings from wall : 121mm.
Distance from wall : 260mm.

This product should be fitted by a fully qualified installer.

Eastbrook 
Eastbrook Road, Gloucester GL4 3DB
Technical Helpline : 01452 317890
Mon - Fri / 8am - 5pm
Email : technical@eastbrookco.com