

## DATASHEET

### Image



### General Information

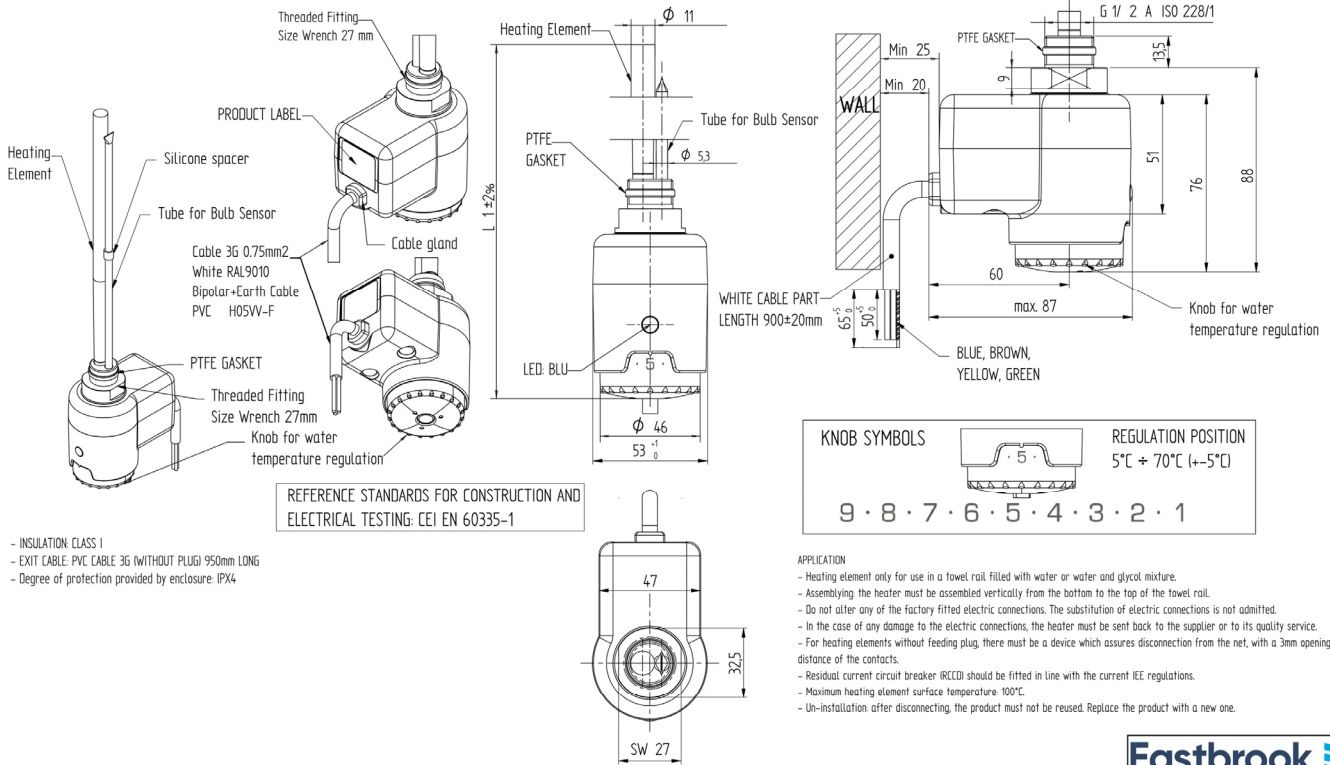
Product:	8.040
Description:	Type E Element 150W
Website Link:	<a href="#">(Click Here)</a>
Product Type:	Heating Element
Brand:	Eastbrook Company
Colour:	Black
Net Weight (kg):	0.84kg
Product Range:	Type E Element

### Product Specifications

Warranty:	1 Year(s)
Watts:	150

## Drawing

### Type E Element - Chrome Technical Drawing



**Eastbrook**  
 Eastbrook Road, Gloucester GL4 3DB  
 Technical Helpline : 01452 317890  
 Mon - Fri / 8am - 5pm  
 Email : technical@eastbrookco.com