

DATASHEET

Image



General Information

Product:	54.0019
Description:	Straight Designer TRV with Lockshield 15mm
Website Link:	(Click Here)
Product Type:	Radiator Valve
Brand:	Eastbrook Company
Colour:	Matt White
Material:	Brass + Plastic
Net Weight (kg):	0.49kg
Product Range:	Radiator Valves

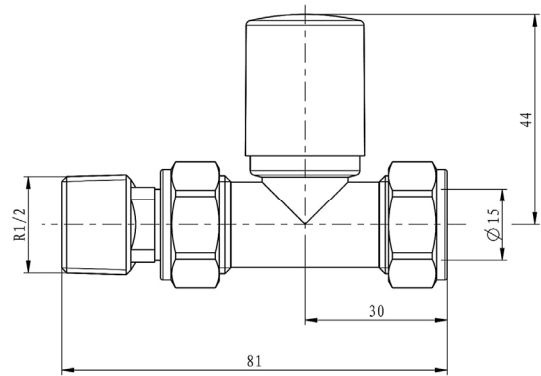
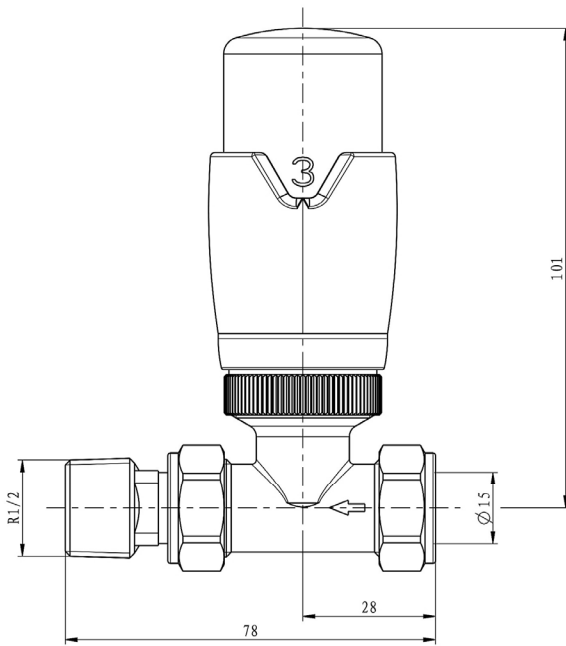
Product Specifications

Warranty:	2 Year(s)
Valve Types:	Straight

Drawing

Straight Designer TRV with Lockshield 15mm Technical Drawing

54.0003 - 54.0005
54.0019 - 54.0020
54.0021



Eastbrook 
Eastbrook Road, Gloucester GL4 3DB
Technical Helpline : 01452 317890
Mon - Fri / 8am - 5pm
Email : technical@eastbrookco.com