

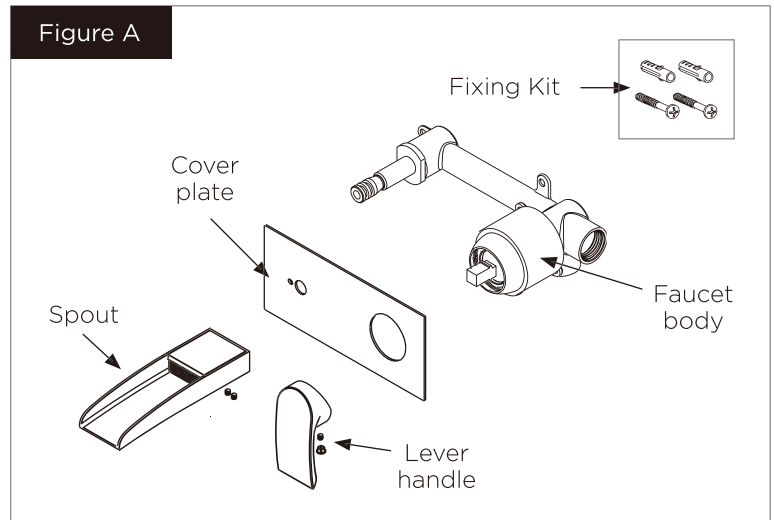
## Wall Mounted Basin Mixer Instruction

### IMPORTANT

Please read these instructions carefully and keep in a safe place for future reference. If you are unsure of any part of the instructions in this document then we recommend that you contact a reputable qualified trades person.

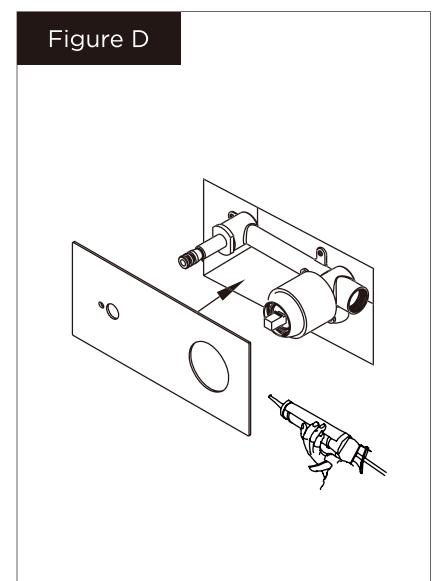
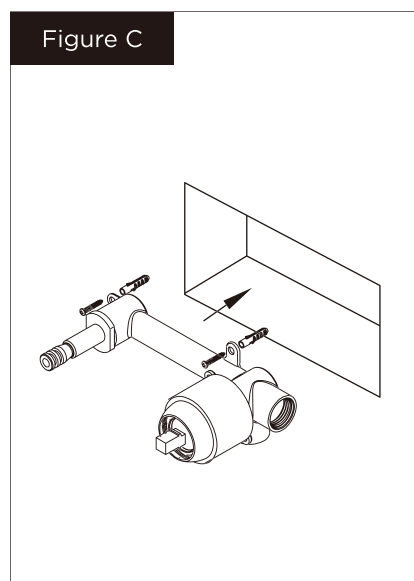
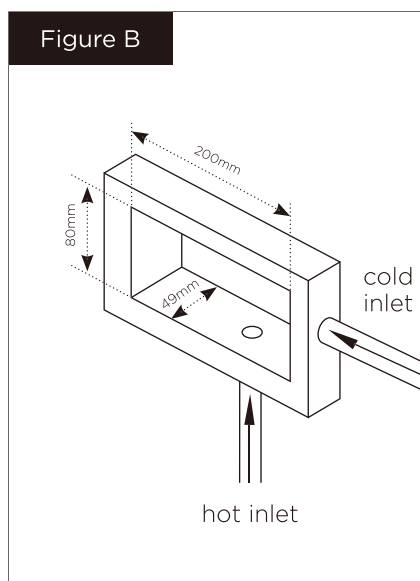
### INTRODUCTION

The Model supplied may vary from the image shown below. Please note that the general installation process for all Wall Mounted taps are the same and the following guide will take you through the process.



### INSTALLATION

1) Before installation identify all components and inspect the product for any damage. Prior to installation, flush out the pipework. Turn off the water supply before commencing installation.



2) Determine the fixing position and prepare recess for the faucet body. Make the recess in the wall according to the dimension of the faucet body, the recess should be approximately 200mm x 49mm. The faucet body should be fitted below the finished surface to allow the cover plate to fit correctly and flush against the wall. [ B ]

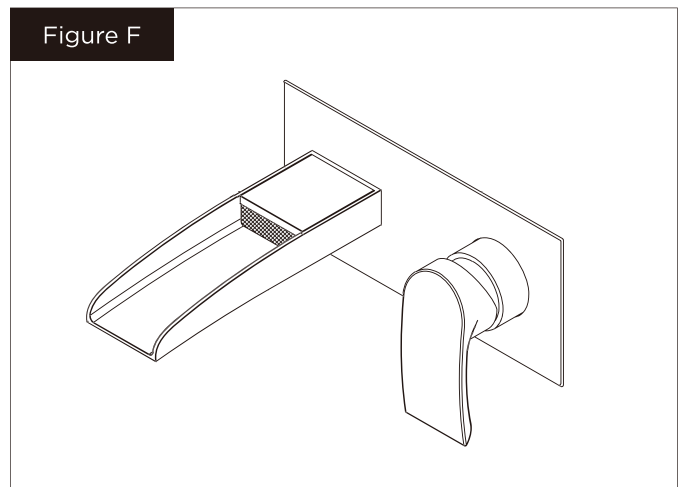
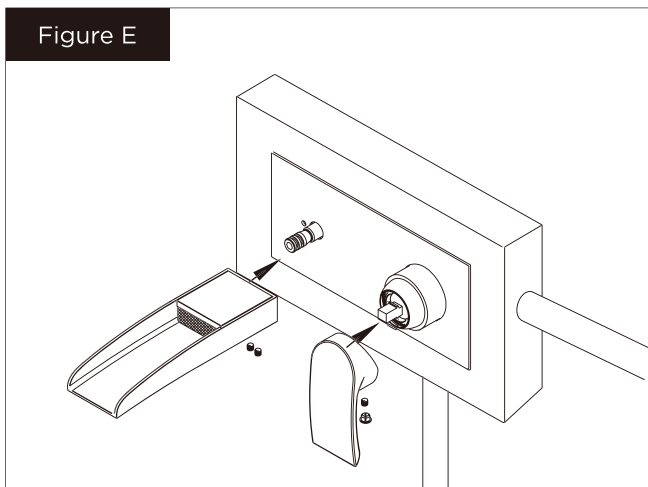
3) Position the faucet body in place and mark through the pre-drilled screw holes on the body, then drill the marked points before inserting wall plugs into the wall holes. [ C ]

4) Connect the cold water inlet and hot water inlet correctly. If in any doubt please consult with a qualified trades person.

5) Hold faucet body in place and secure to the wall with supplied fixings.

## Wall Mounted Basin Mixer Instruction

- 6) Once the faucet body has been fitted correctly, ensure all connections are watertight.
- 7) Secure the cover plate onto the faucet body by applying clear silicone sealant around the back edge of the cover plate and carefully pressing into position until it is flush with the wall/tiles. [ D ]
- 8) Fit the spout and handle in their correct positions as shown in diagram [ E ]. Hold the spout and handle in position, screw and tighten until secure.
- 9) Finally, turn on water supply and allow to run for a few minutes to flush out the piping system thoroughly.



### Aftercare

Care **MUST** be taken when cleaning our products to avoid damaging the fitting or finish. To maintain the appearance of the fitting, please ensure it is cleaned regularly using only a clean soft damp cloth. Whilst all of our products are durable the finishes are vulnerable to some strong substances, we only recommend the use of warm soapy water, **DO NOT** use abrasive sponges, strong household cleaners, scouring agents, organic solvents or acidic cleaners as they may cause surface deterioration, peeling or change of colour.