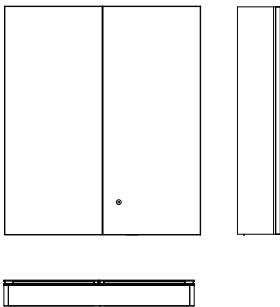
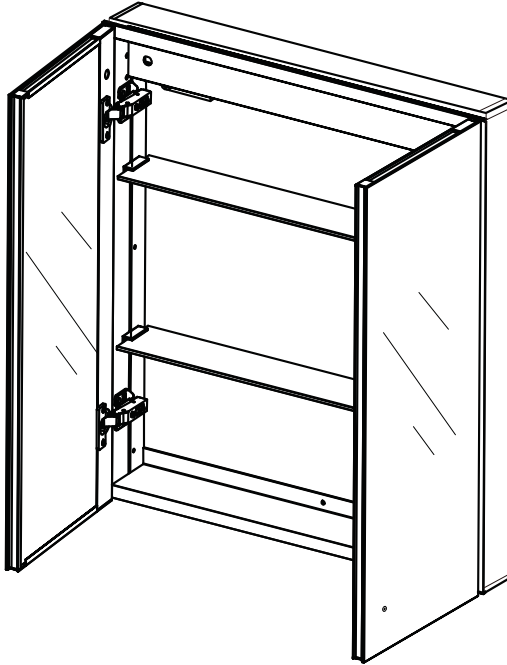


# Installation Instructions

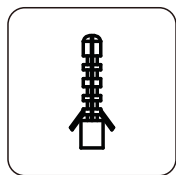


## recessed or wall mounted mirror cabinet

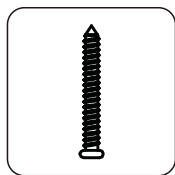
- Adjustable stainless steel buffer hinge
- Double layer adjustable tempered glass shelf
- Touch sensor switch
- Aluminum alloy cabinet
- Double-sided copper-free silver mirror

Note: Instructions for double door mirror cabinet (Applicable to sensor touch control)  
This product contains a light source of energy efficiency class 'F'

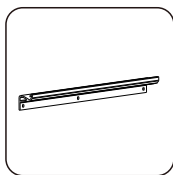
## Packing List



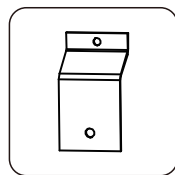
Expansion plug ø8



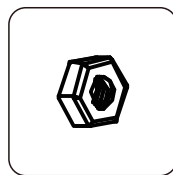
Screw M5



Aluminum alloy bar

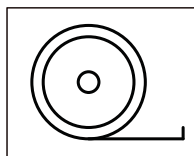


Bottom frame fastener

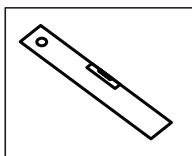


Hexagon nut

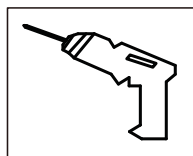
## Required tools



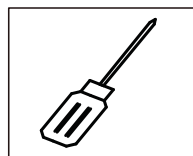
Tape measure



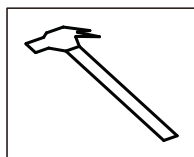
Spirit level



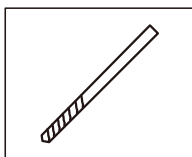
Electric drill



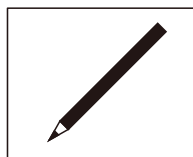
Screwdriver



Hammer



Drill bit



Pencil

Note: Please carefully read the following before installing



## Warning

1. Before installing the product, please carefully read the instructions and operate accordingly;
2. Before installing, please turn off the main power switch and ensure that it won't turn on;
3. The installation of this product requires that the staff has some electrical knowledge;
4. This mirror cabinet is heavy; do not lift or install with single person in order to avoid injury;
5. Before installing, please check whether the product is broken, to avoid injury caused by damaged glass;
6. Do not clean the product surface with acid and alkaline cleaning agent; please use a damp cloth.

# Installation method of Surface Mount

## 1. Fixing the bar

- 1.1 Open the product packaging, and check whether the product has any exception or functional damage; if yes, please return it to the dealer.
- 1.2 After selecting the location of the mirror cabinet, check whether the wall is solid, measure the distance of the holes (A, A-1) in the aluminum alloy bar with a tape measure and mark it on the wall with a pencil (Fig. 1).
- 1.3 Drill holes in the marked position with electric drill and  $\varnothing 8$  drill bit, and use special ceramic drill if the wall surface is ceramic tile.
- 1.4 Knock the expansion plugs into the holes in the wall with a hammer, and then tighten the screws with a screwdriver to fix the bar, and calibrate the level with a spirit level (Fig. 2).

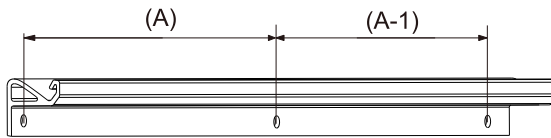


Fig. 1

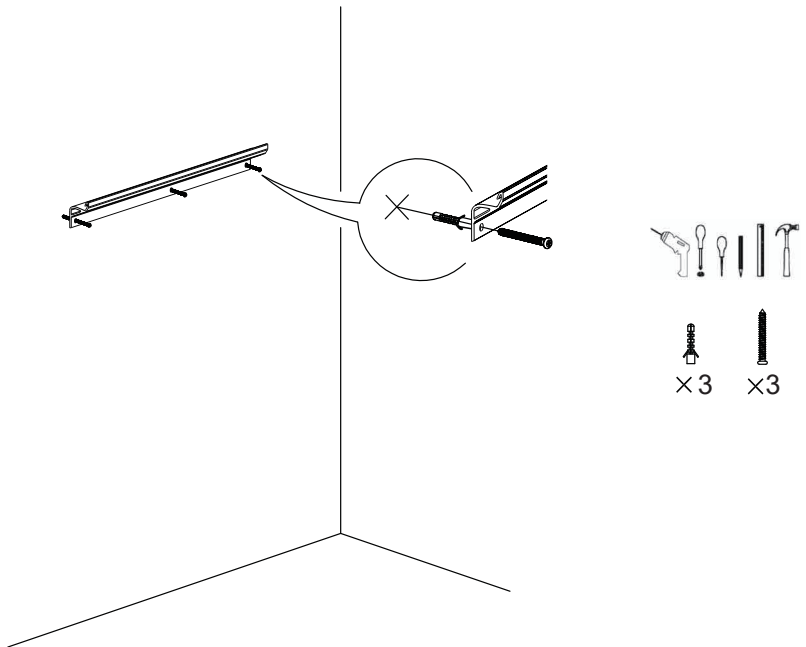


Fig. 2

2. Positioning and Installation of Mirror Cabinet:

- 2.1 Paste EVA foam rubber pad on the mirror cabinet (Fig.3)
- 2.2 Insert the surrounding aluminum plate into the cabinet bracket(Fig.4)  
To use the hexagon nut to fix the bottom frame fastener on the frame(Fig.4-a)
- 2.3 Install the mirror cabinet on the hanging strip ,see details in Fig.5. Choose right locating place and use pencil to make sign on the wall through the base fixing the hole (b).
- 2.4 Remove the mirror cabinet, drill the fixing hole in the wall in the marked position, and place the expansion plugs (Fig. 6-c).
- 2.5 Repeat as shown in Fig.5 to install the mirror cabinet on the wall. Lock the fixing plate at the bottom of the mirror cabinet on the wall with screws (Fig.6-d)
- 2.6 Finally,switch on the power,and then touch the "switch" sign (fig.6-e)with a finger on the lens to test the products

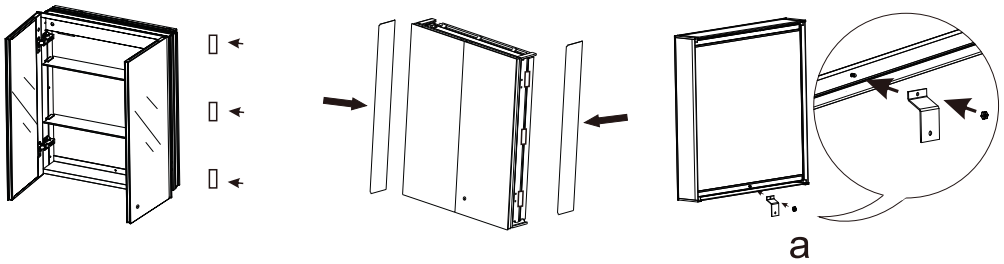


Fig.3

Fig.4

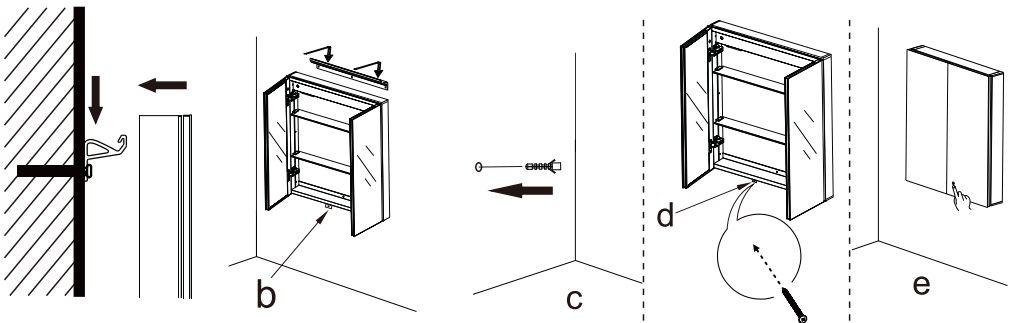


Fig.5

Fig.6

# Installation method of Recessed Mount

## 1. Positioning and Installation of Mirror Cabinet:

- 1.1 Remove top and bottom block, and then remove the left and right side panel, see (Fig.7)
- 1.2 Remove the screw by 3mm, then take out the fixing block and screw it back to secure the cabinet (Fig.8)
- 1.3 Remove the fix block, see (Fig.9)
- 1.4 Remove the hook, see (Fig.10)
- 1.5 Install the mirror cabinet on the wall of expected recessed mounted mirror cabinet ( Fig.11), and use pencil to make sign on the wall through mirror cabinet framework (a) ( Fig.12).
- 1.6 Remove the mirror cabinet, drill the fixing hole in the wall in the marked position, and place the expansion plugs ( Fig.13).
- 1.7 Finally, Repeat the operation as shown in Fig.11 and mount the mirror cabinet to the recessed mounted.
- 1.8 Finally, switch on the power, and then touch the "switch" sign ( fig.13) with a finger on the lens to test the products

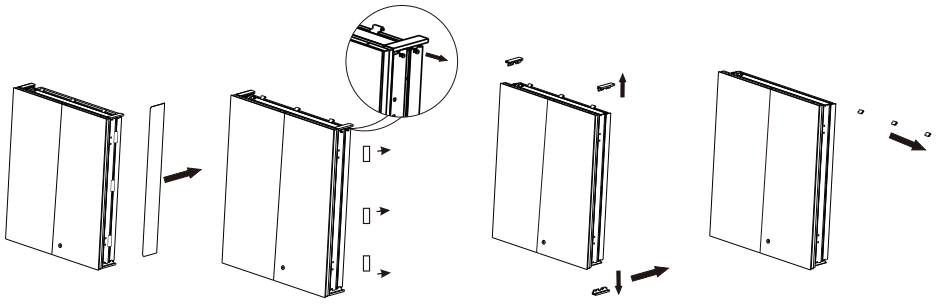


Fig.7

Fig.8

Fig.9

Fig.10

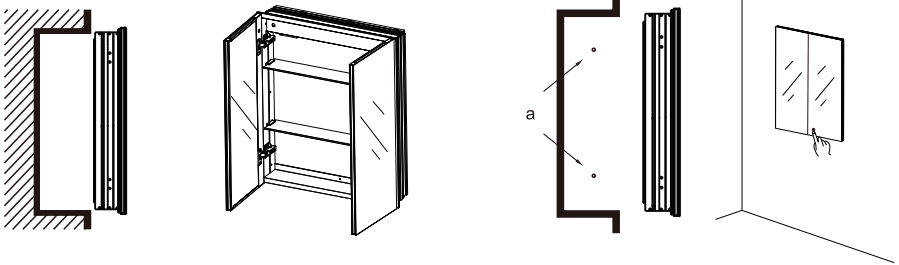


Fig.11

Fig.12

Fig.13

# Mirror Door Adjustment

1.1 Fix the mirror cabinet, and check if the mirror door is flat; if not (as shown in Fig.14), adjust the distance of the door opening by adjusting the hinge screw (b) and keep the door level (Fig.15).

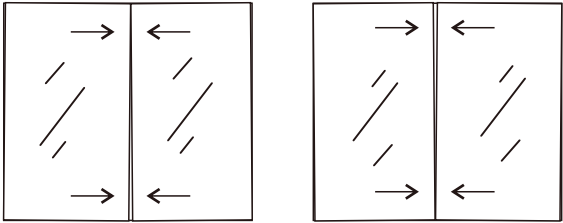
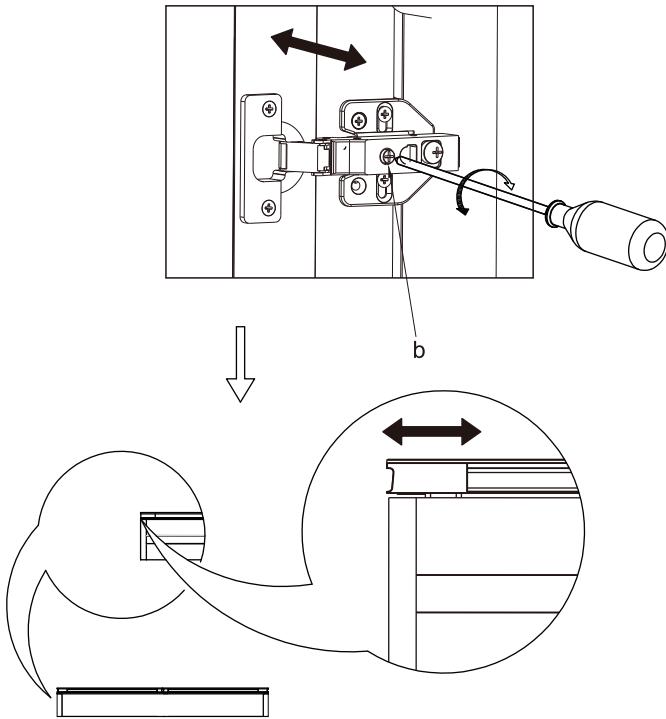


Fig.14



Rotate CW: Door moves to the center of the mirror cabinet  
Rotate CCW: Door moves to both sides of the mirror cabinet

Fig.15

1.2 If the cabinet door isn't flat (Fig. 16), adjust the distance between the door and the cabinet by adjusting the screw (c) to make the door flat. (Fig.17)

⚠ Warning: The distance between the door and the cabinet should not be too small, otherwise the door can't be opened and may lead to the door rupture.

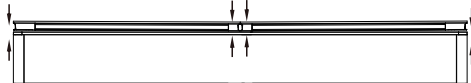
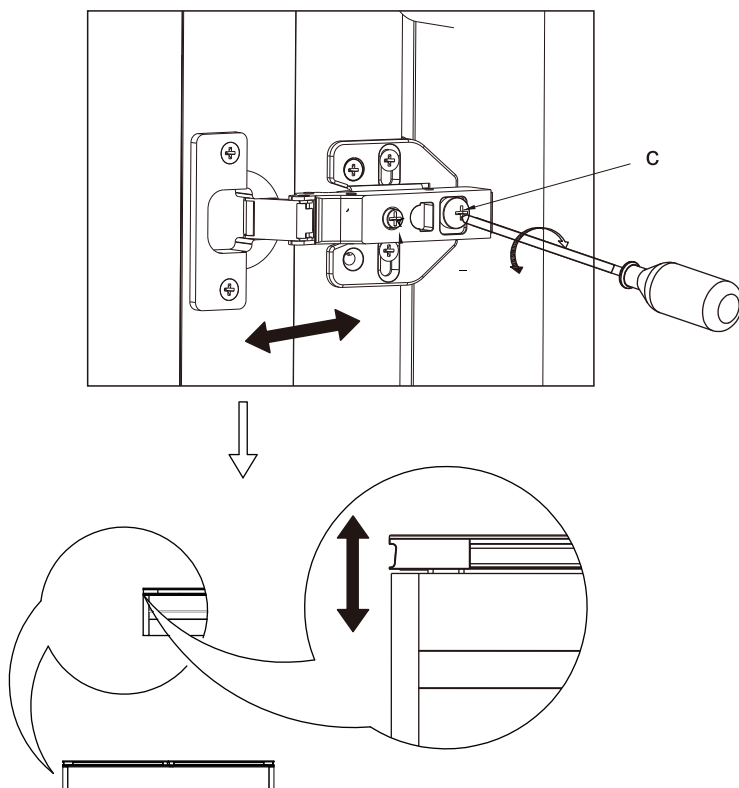


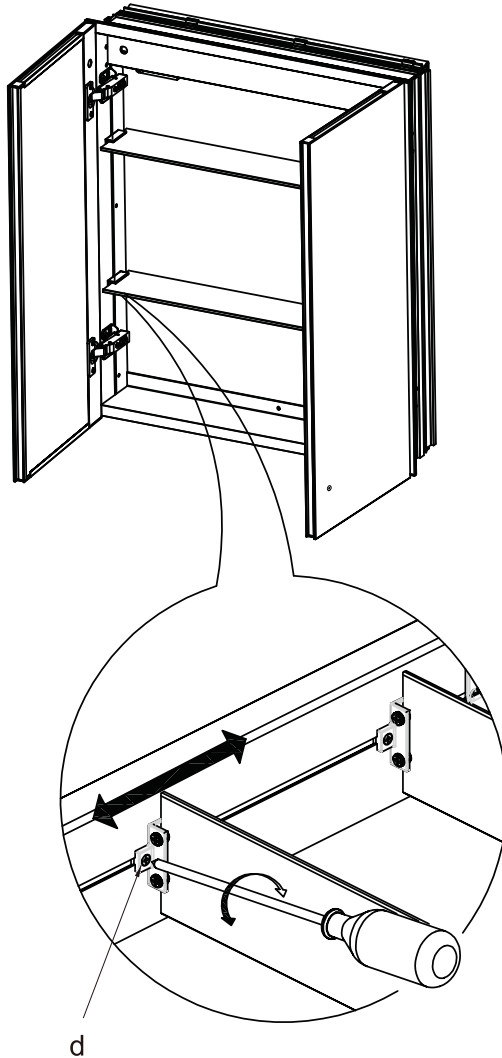
Fig. 16



Rotate CW: Distance between door and cabinet reduces  
Rotate CCW: Distance between door and cabinet increases

Fig. 17

1.3 Loosen the snap screw (d) of the shelf to adjust the shelf position.  
(Fig.18)



Safety Warning

Fig.18

- Do not disassemble the door unless necessary