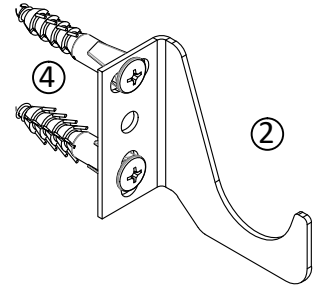
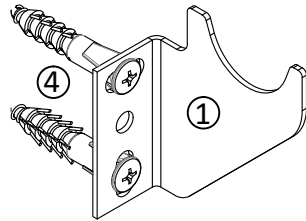
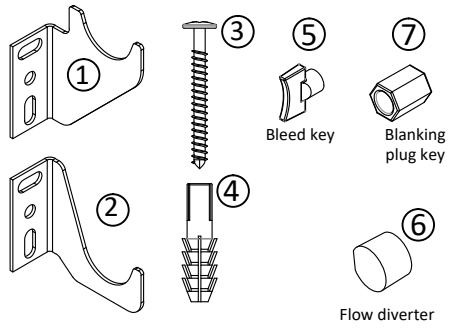
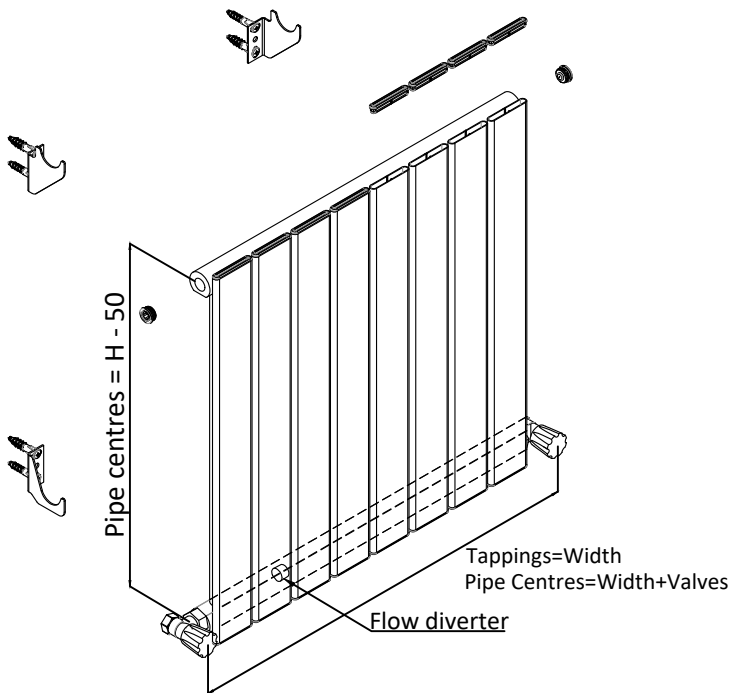
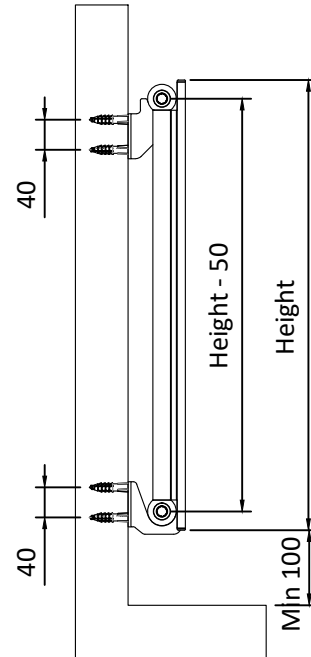
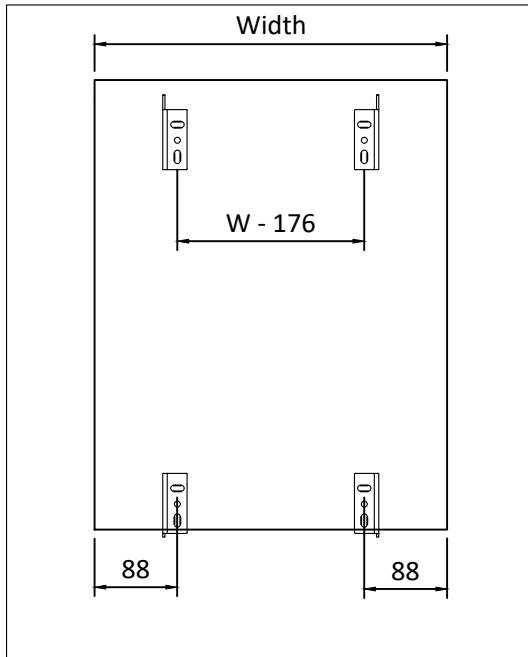


Addington Type 10 Assembly Instructions

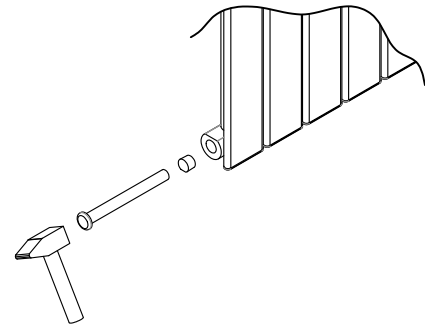
Part number	Quantity
1	2
2	2
3	8
4	8
5	1
6	1
7	1



Bleed valve & blanking plugs come installed on the radiators.



How to install the flow diverter ;



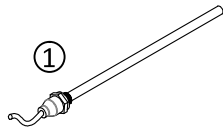
* Diverter should be installed into the flow side of the radiator

Profile quantity of radiator	Install the flow diverter
3 - 7	Between first and second profiles
7 - 14	Between second and third profiles
14 - 17	Between third and fourth profiles

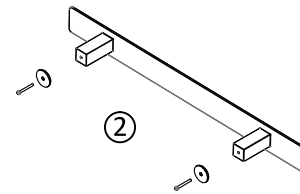
Profile quantity	4	5	6	7	8	9	11	14	16	17
W (mm)	292	366	440	514	588	662	810	1032	1180	1254

Eastbrook

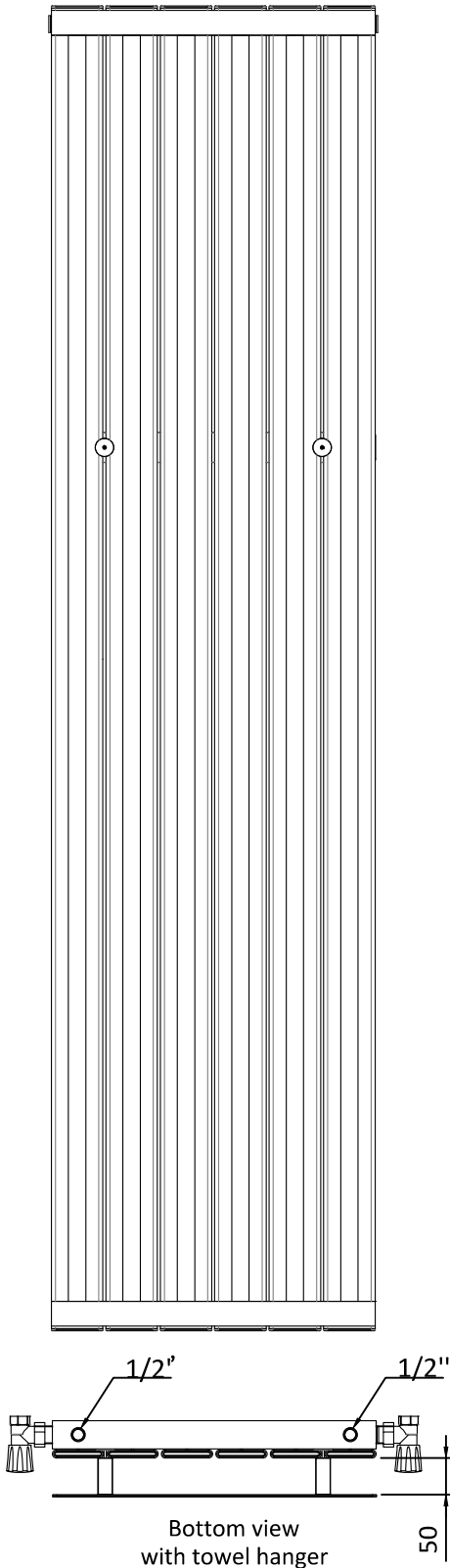
Eastbrook Road, Gloucester GL4 3DB
 Technical Helpline : 01452 317890
 Mon - Fri / 8am - 5pm
 Email : technical@eastbrookco.com



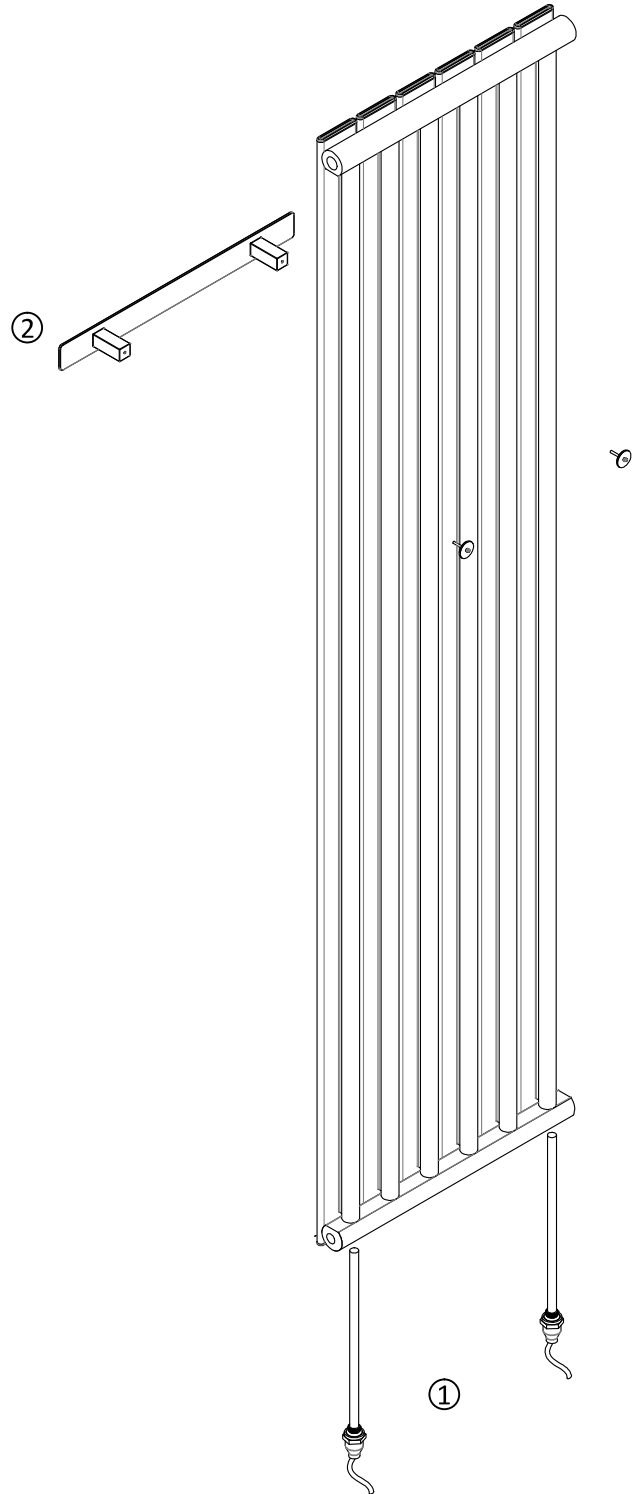
* Element must be purchased separately



* Towel hanger must be purchased separately



* Element inlets are on the left and right ends, at the bottom header.



- For **central heating system** installations; Flow diverter must be fitted on the flow size, on the bottom header. Bottom header blanking plugs may have to be removed in order to fit the flow diverter.
- For **electric only** installation; Please do **NOT** fit the flow diverter, this may cause abnormalities in the water circulation and may end with cold spots on your radiator
- For **dual fuel** installations; please do **NOT** fit the flow diverter, this may cause abnormalities in the water circulation and may end with cold spots on your radiator. Elements must be fitted to the element inlet on the flow side of the bottom header

Eastbrook 

Eastbrook Road, Gloucester GL4 3DB
 Technical Helpline : 01452 317890
 Mon - Fri / 8am - 5pm
 Email : technical@eastbrookco.com