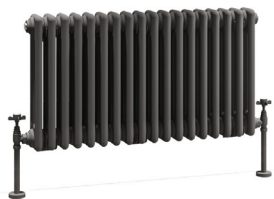


## DATASHEET

### Image



### General Information

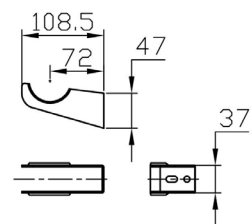
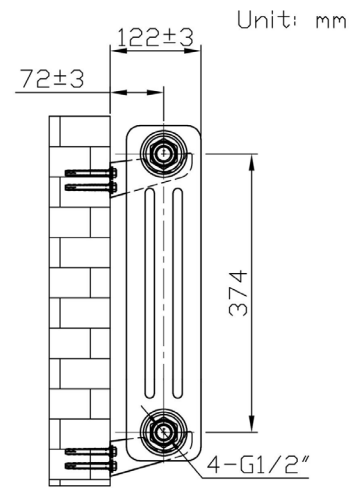
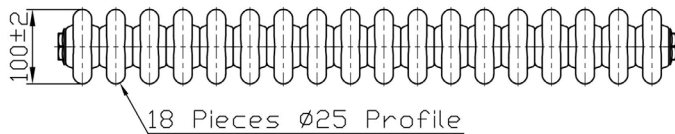
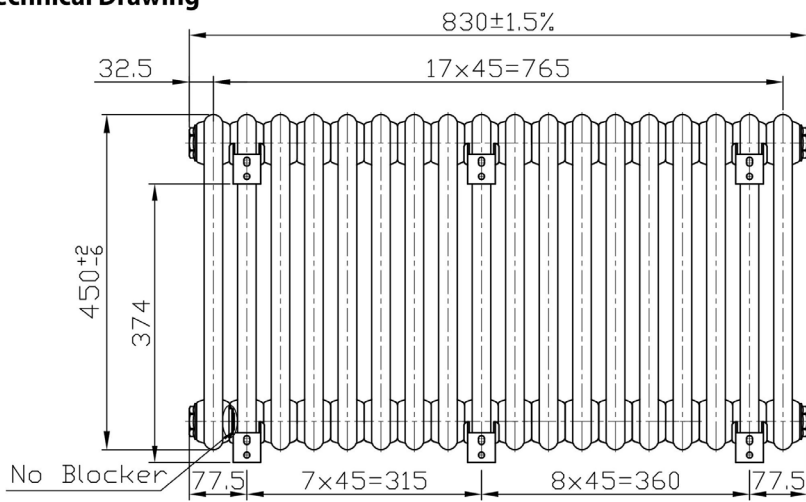
Product:	41.0958
Description:	Imperia 3 Column Radiator 450 x 830mm
Product Type:	Radiator
Brand:	Eastbrook Company
Colour:	Matt Anthracite
Material:	Mild Steel
Height (mm):	450mm
Width (mm):	830mm
Net Weight (kg):	20.7kg
Product Range:	Imperia

### Product Specifications

Warranty:	5 Year(s)
Finish:	Matt
BTU $\Delta T50^{\circ}\text{C}$ :	2763
BTU $\Delta T60^{\circ}\text{C}$ :	3479
Watts $\Delta T50^{\circ}\text{C}$ :	810
Watts $\Delta T60^{\circ}\text{C}$ :	1020

## Drawing

### Imperia 3 Column Horizontal 450 x 830mm. Painted Technical Drawing



**Eastbrook**   
Eastbrook Road, Gloucester GL4 3DB  
Technical Helpline : 01452 317890  
Mon - Fri / 8am - 5pm  
Email : [technical@eastbrookco.com](mailto:technical@eastbrookco.com)