

## DATASHEET

### Image



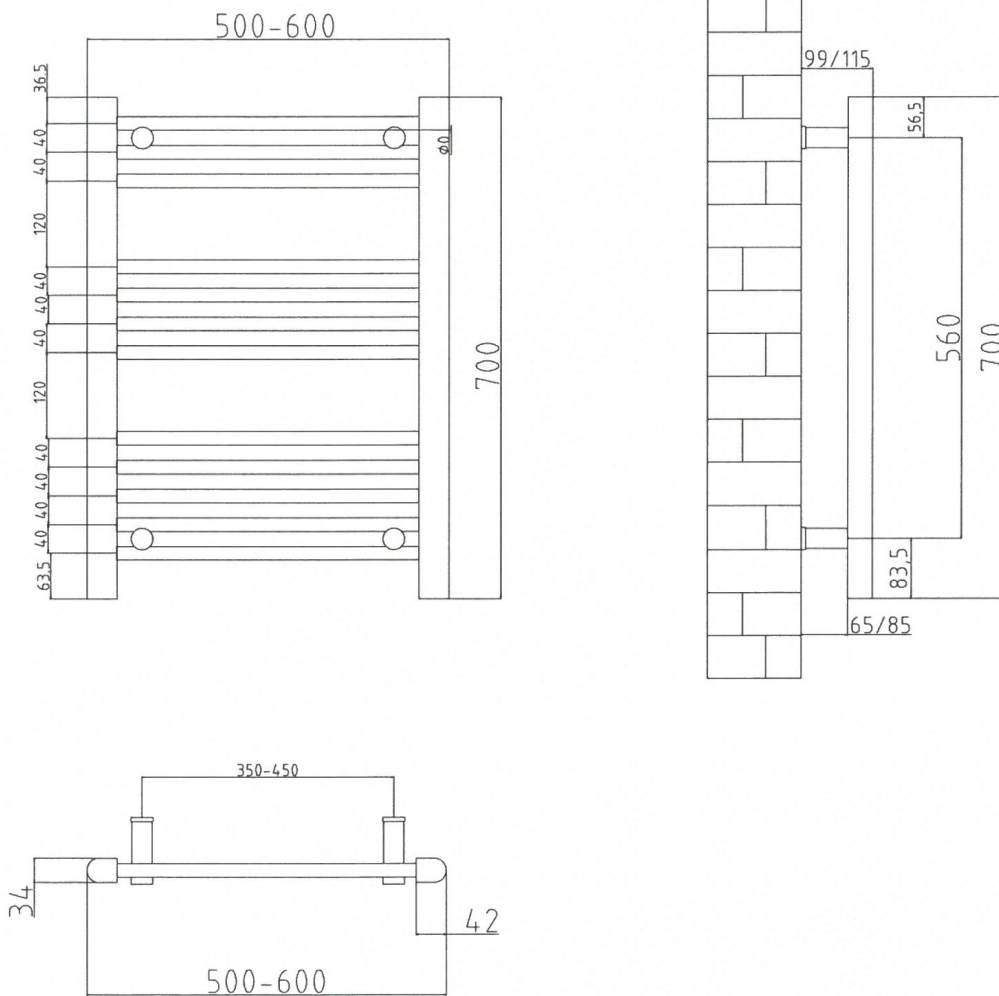
### General Information

Product:	47.0009
Description:	Biava Dry Element Towel Rail 700x500mm
Website Link:	<a href="#">(Click Here)</a>
Product Type:	Towel Rail
Brand:	Eastbrook Company
Colour:	Matt Anthracite
Material:	Mild Steel
Height (mm):	700mm
Width (mm):	500mm
Net Weight (kg):	5kg
Product Range:	Biava Dry Element

### Product Specifications

Warranty:	2 Year(s)
Supplied with fixings:	Yes
BTU $\Delta T50^{\circ}\text{C}$ :	667
BTU $\Delta T60^{\circ}\text{C}$ :	853
Watts $\Delta T50^{\circ}\text{C}$ :	196
Watts $\Delta T60^{\circ}\text{C}$ :	250

## Drawing



**Eastbrook**

Eastbrook Road, Gloucester GL4 3DB  
Technical Helpline : 01452 317890  
Email : technical@eastbrookco.com