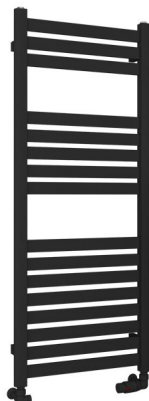


DATASHEET

Image



General Information

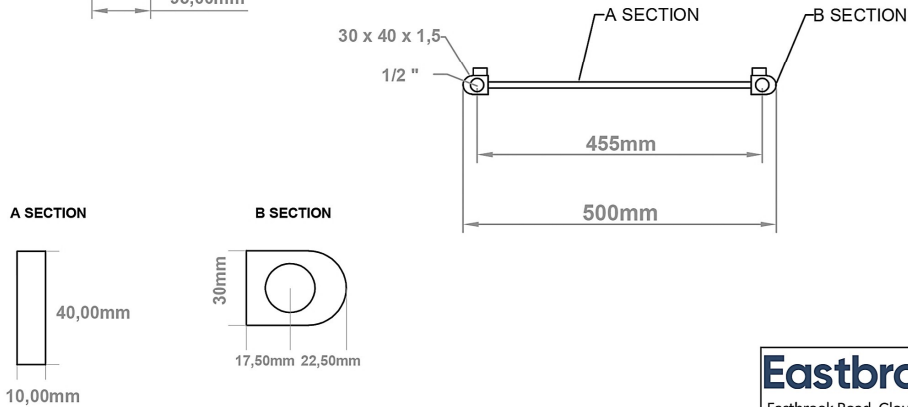
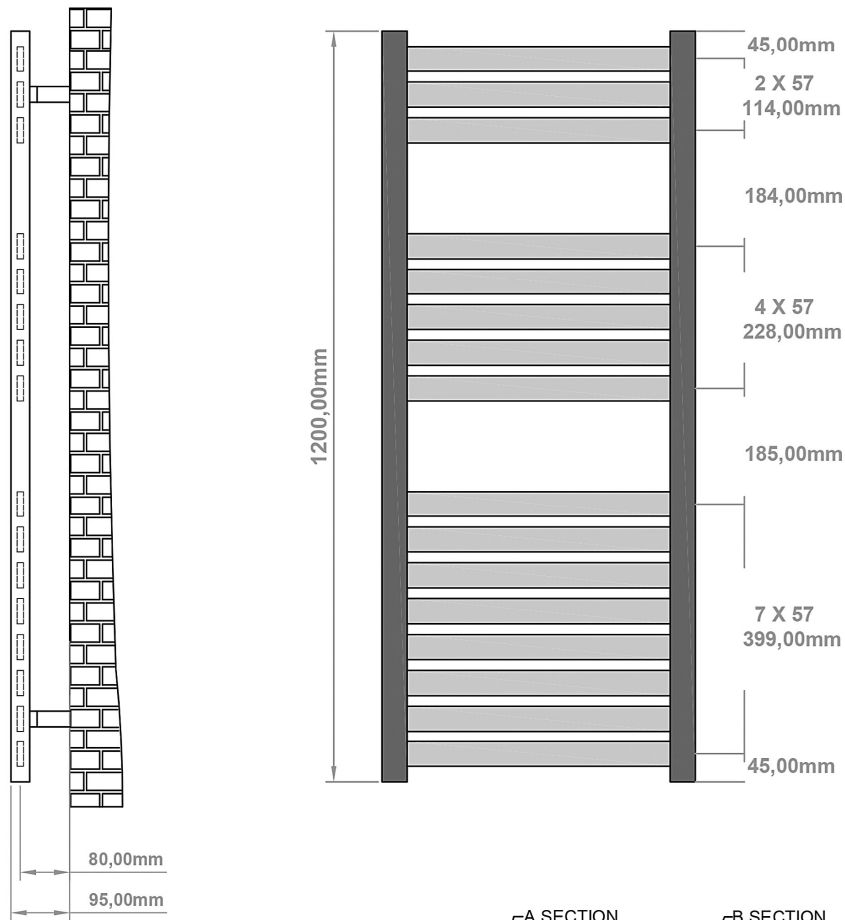
| | |
|------------------|---------------------------------|
| Product: | 89.1294 |
| Description: | Defford 1200 x 500mm Towel Rail |
| Website Link: | (Click Here) |
| Product Type: | Towel Rail |
| Brand: | Eastbrook Company |
| Colour: | Matt Black |
| Material: | Mild Steel |
| Height (mm): | 1200mm |
| Width (mm): | 500mm |
| Net Weight (kg): | 11.5kg |
| Product Range: | Defford |

Product Specifications

| | |
|--------------------------------------|-----------|
| Warranty: | 5 Year(s) |
| Supplied with fixings: | Yes |
| BTU $\Delta T50^{\circ}\text{C}$: | 1634 |
| BTU $\Delta T60^{\circ}\text{C}$: | 2057 |
| Watts $\Delta T50^{\circ}\text{C}$: | 479 |
| Watts $\Delta T60^{\circ}\text{C}$: | 603 |

Drawing

Defford 1200 x 500mm. Technical Drawing



scale: 1/5

Eastbrook 
Eastbrook Road, Gloucester GL4 3DB
Technical Helpline : 01452 317890
Mon - Fri / 8am - 5pm
Email : technical@eastbrookco.com