

DATASHEET

Image



General Information

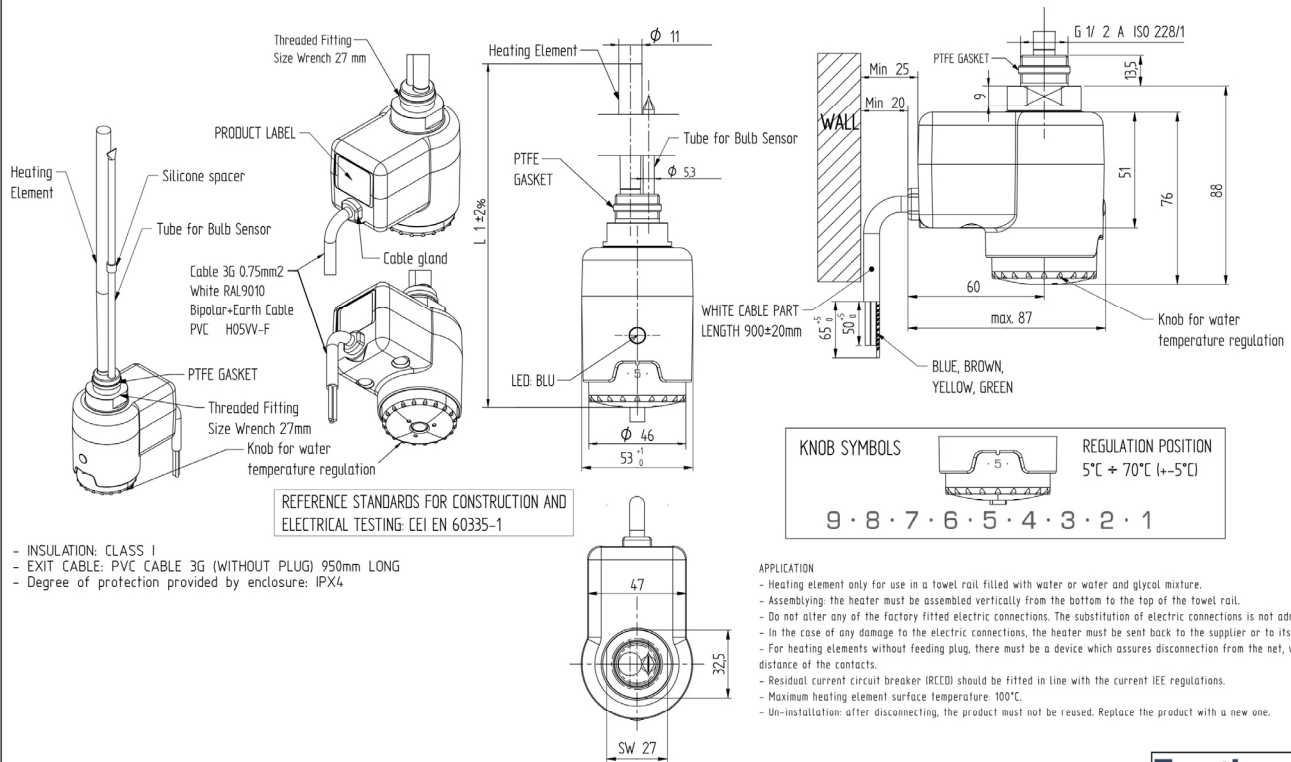
Product:	8.041
Description:	Type E Element 300W
Website Link:	(Click Here)
Product Type:	Heating Element
Brand:	Eastbrook Company
Colour:	Black
Height (mm):	5mm
Width (mm):	5mm
Length (mm):	39mm
Net Weight (kg):	0.89kg
Product Range:	Type E Element

Product Specifications

Warranty:	1 Year(s)
Watts:	300

Drawing

Type E Element - Gloss White Technical Drawing



Eastbrook
 Eastbrook Road, Gloucester GL4 3DB
 Technical Helpline : 01452 317890
 Mon - Fri / 8am - 5pm
 Email : technical@eastbrookco.com