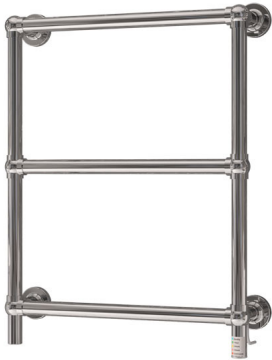


## DATASHEET

### Image



### General Information

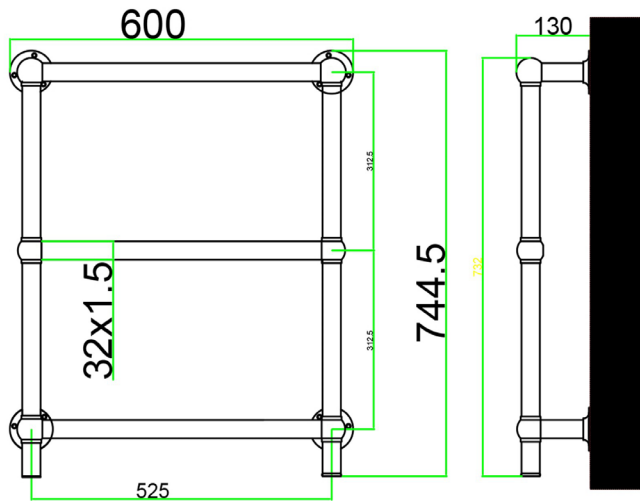
Product:	47.0048
Description:	Kennet Dry Element Towel Rail 700 x 600
Website Link:	<a href="#">(Click Here)</a>
Product Type:	Towel Rail
Brand:	Eastbrook Company
Colour:	Chrome
Material:	Mild Steel
Height (mm):	700mm
Width (mm):	600mm
Net Weight (kg):	6.97kg
Product Range:	Kennet

### Product Specifications

Warranty:	2 Year(s)
Supplied with fixings:	Yes
BTU $\Delta T50^{\circ}\text{C}$ :	400
BTU $\Delta T60^{\circ}\text{C}$ :	512
Watts $\Delta T50^{\circ}\text{C}$ :	118
Watts $\Delta T60^{\circ}\text{C}$ :	150

## Drawing

### Kennet Dry Element Towel Rail 700 x 600mm. Technical Drawing



**Eastbrook**   
Eastbrook Road, Gloucester GL4 3DB  
Technical Helpline : 01452 317890  
Mon - Fri / 8am - 5pm  
Email : [technical@eastbrookco.com](mailto:technical@eastbrookco.com)