

DATASHEET

Image



General Information

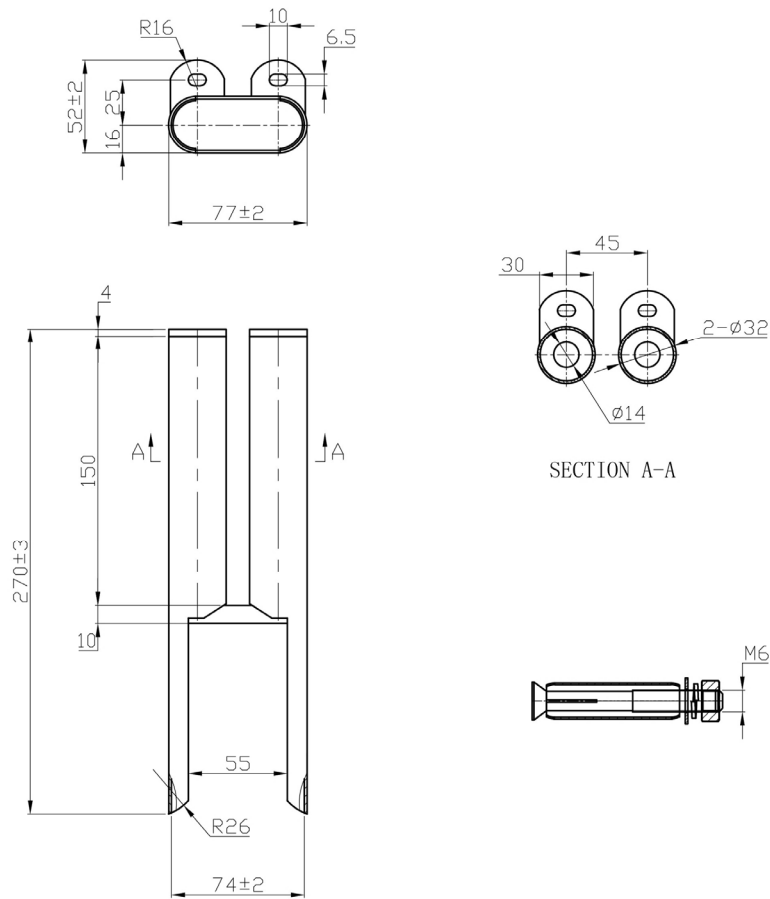
Product:	41.0358
Description:	Imperia 2 Column Radiator Feet (pair)
Website Link:	(Click Here)
Product Type:	Radiator Feet
Brand:	Eastbrook Company
Colour:	Matt Anthracite
Material:	Mild Steel
Net Weight (kg):	0.9kg
Product Range:	Imperia

Product Specifications

Warranty:	5 Year(s)
-----------	-----------

Drawing

Imperia 2 Column Radiator Feet Technical Drawing



Eastbrook 
Eastbrook Road, Gloucester GL4 3DB
Technical Helpline : 01452 317890
Mon - Fri / 8am - 5pm
Email : technical@eastbrookco.com