

DATASHEET

Image



General Information

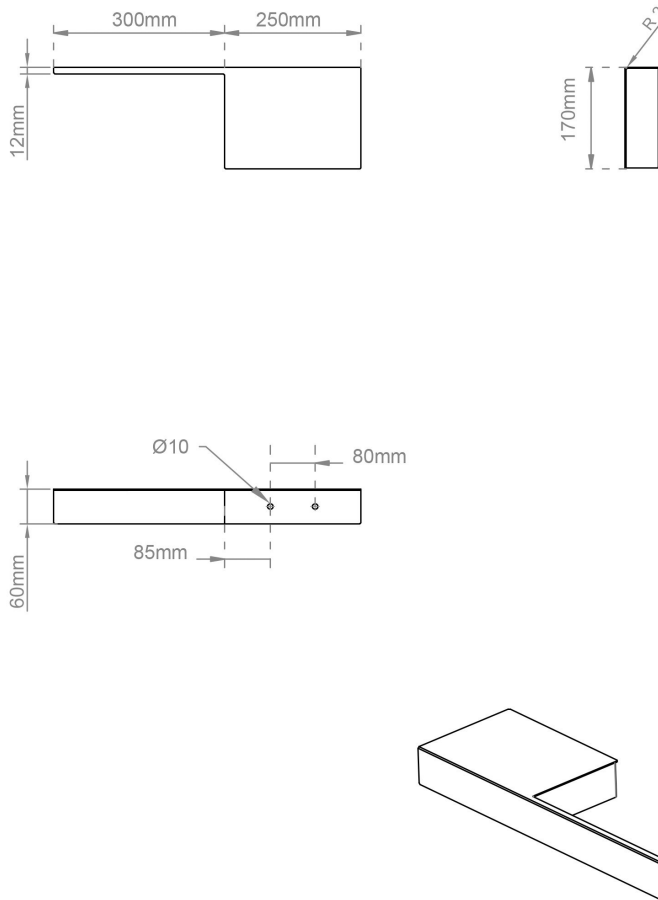
| | |
|------------------|-------------------------------------|
| Product: | 89.0891L |
| Description: | Multi-Purpose Towel Hanger LH 300mm |
| Website Link: | (Click Here) |
| Product Type: | Towel Hanger |
| Brand: | Eastbrook Company |
| Colour: | Matt Anthracite |
| Material: | Mild Steel |
| Width (mm): | 300mm |
| Net Weight (kg): | 1.1kg |
| Product Range: | Universal |

Product Specifications

| | |
|-----------|-----------|
| Warranty: | 1 Year(s) |
|-----------|-----------|

Drawing

Multi-Purpose Towel Hanger L / R Hand Side - 300mm
 Technical Drawing



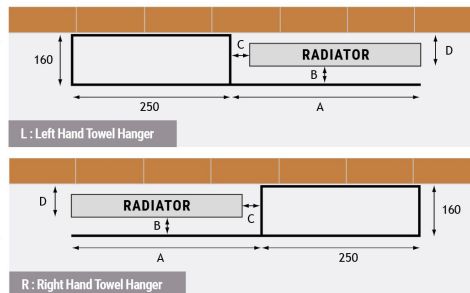
TECHNICAL INFORMATION

Please check the technical drawing to see all the required measurements. Multi-Purpose Towel Hangers can only be fitted on the wall.

Left Hand Towel Hangers : When fitted on the wall and looking from front, shelf is on the left and towel can be hung from the right.

Right Hand Towel Hangers : When fitted on the wall and looking from front, shelf is on the right and towel can be hung from the left.

Can be fitted after installation!



Eastbrook 
 Eastbrook Road, Gloucester GL4 3DB
 Technical Helpline : 01452 317890
 Mon - Fri / 8am - 5pm
 Email : technical@eastbrookco.com