

## DATASHEET

### Image



### General Information

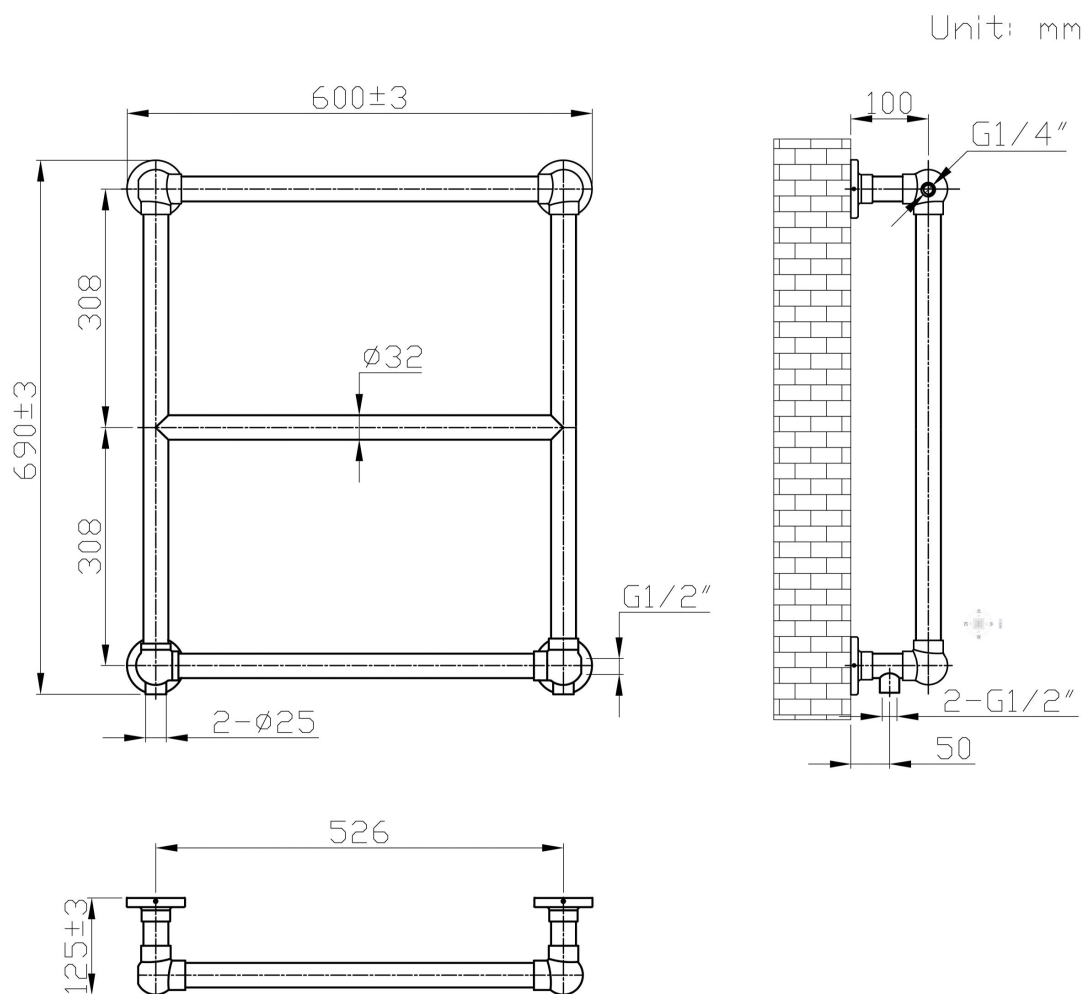
Product:	41.0444
Description:	Stour 690 x 600
Website Link:	<a href="#">(Click Here)</a>
Product Type:	Towel Rail
Brand:	Eastbrook Company
Colour:	Matt Black
Material:	Mild Steel
Height (mm):	690mm
Width (mm):	600mm
Net Weight (kg):	5.5kg
Product Range:	Stour

### Product Specifications

Warranty:	5 Year(s)
Supplied with fixings:	Yes
Orientation:	Vertical
BTU $\Delta T50^{\circ}\text{C}$ :	641
BTU $\Delta T60^{\circ}\text{C}$ :	820
Watts $\Delta T50^{\circ}\text{C}$ :	188
Watts $\Delta T60^{\circ}\text{C}$ :	240

## Drawing

### Stour 690 x 600mm. Technical Drawing



Tappings : 526mm.  
Tappings from wall : 50mm.  
Distance from wall : 125mm.

**This product should be fitted by a fully qualified installer.**

**Eastbrook **  
Eastbrook Road, Gloucester GL4 3DB  
Technical Helpline : 01452 317890  
Mon - Fri / 8am - 5pm  
Email : [technical@eastbrookco.com](mailto:technical@eastbrookco.com)