

DATASHEET

Image



General Information

Product:	12.036
Description:	Angled square radiator valve (pair)
Website Link:	(Click Here)
Product Type:	Radiator Valve
Brand:	Eastbrook Company
Colour:	Chrome
Material:	Brass
Height (mm):	76.5mm
Net Weight (kg):	0.802kg
Product Range:	Radiator Valves

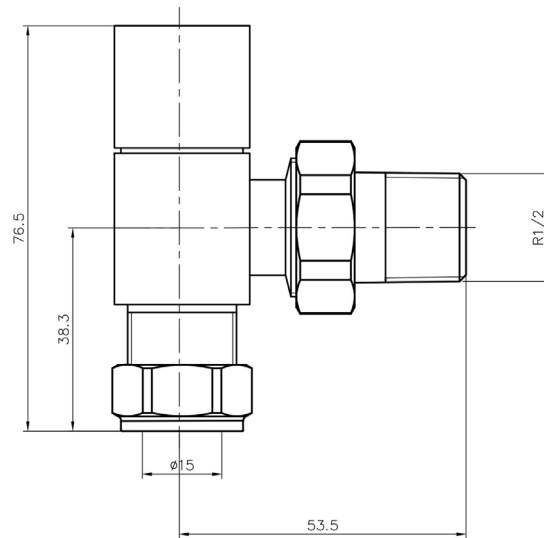
Product Specifications

Warranty:	2 Year(s)
Valve Types:	Angled

Drawing

12.036 Technical Drawing

Angled Square Radiator Valve



Eastbrook 
Eastbrook Road, Gloucester GL4 3DB
Technical Helpline : 01452 317890
Mon - Fri / 8am - 5pm
Email : technical@eastbrookco.com