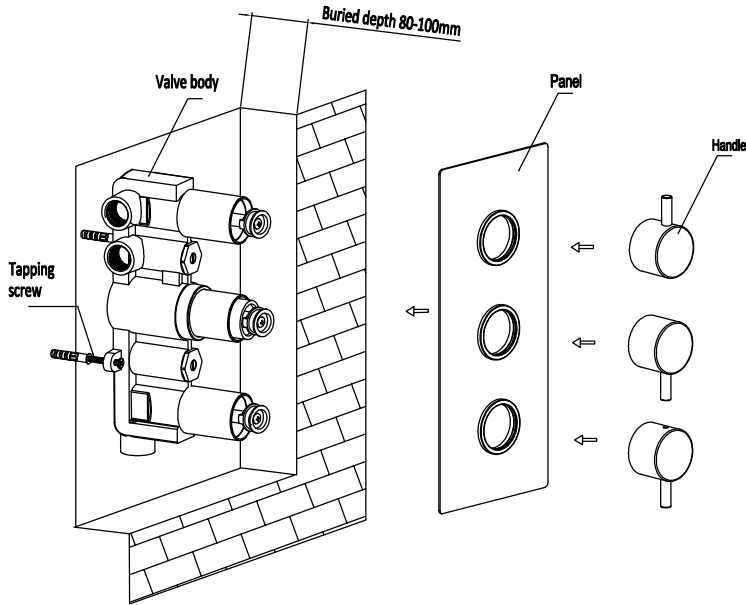


# General installation instruction for the Thermostatic valve



## Technical Parameters

1. Operating pressure is 0.5 Bar ~ 5 Bar, suggest pressure is 1 Bar ~ 5 Bar
2. Cold water supply temperature: 5 °C ~ 29 °C, hot water supply temperature: 55 °C ~ 85 °C;
3. The maximum outlet water temperature is 45 °C;

## Installation Points for Attention

1. The thermostatic valve core shall be inspected and debugged by the factory, and it is not allowed to dismantle or assemble by yourself;
2. Before the installation of the tap, the impurities and sludge in the pipe must be removed to avoid blocking the tap and affecting the water outlet function;
3. Pay attention to the water inlet direction of hot and cold water when installing the tap
4. After installation, please check whether the joints are tightly connected and any leaks.

## Installation Steps

1. Fix the main body in the wall with self tapping screw and connect the pipe
2. Cover the panel on the tap body, then install the hand wheel and lock it with screws.

