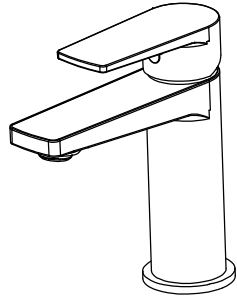


# Installation instruction

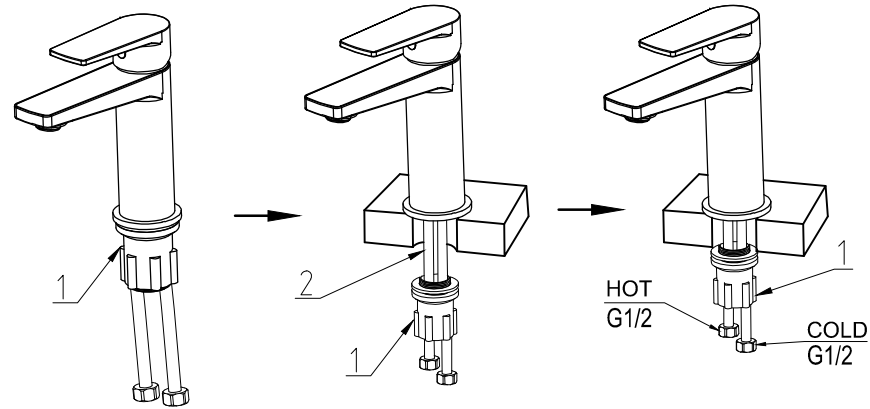


## Installation Steps

### 1、 Install tap

Remove the connecting sleeve(NO.1) from the faucet body, Pass the inlet pipe(No.2) through the hole,then put the connecting sleeve(NO.1) into the inlet hose(No.2), tighten the connecting sleeve(NO.1), the tap shall not shake.

After installing the tap, connect the other end G1/2 of the inlet pipe to the cold and hot pipe.



### Precautions

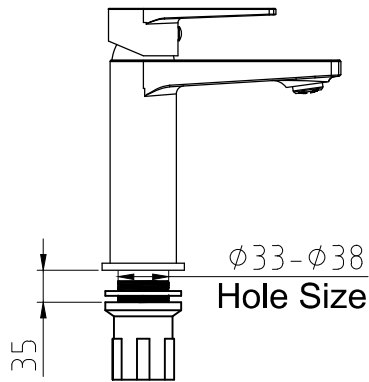
1. Flush the impurities in the water supply pipeline
2. Check the water supply pipes for damage
3. Working pressure 0.05-1.0Mpa
4. Water temperature 0-90°C, suggest water temperature 0-65°C

### Aftercare Instruction

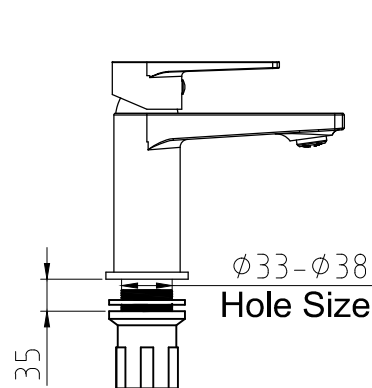
Clean this item with a soft cloth or sponge. The use of any abrasive cleanser may have chemical reaction with the surface and will invalidate the guarantee.

### INSTALLATION DIMENSIONS

Tall Basin Mono taps

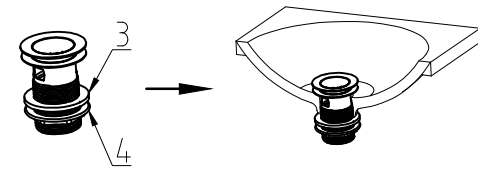


Basin Mono taps



### 2、 Install Waste (if the tap is not equipped with waste, please ignore the following steps)

Fit the waste body and washer into the basin, Fit the washer (3) underneath the basin as shown in the diagram, then secure by tightening the backnut (4)



### 3、 Operation

Open the valve and check the connection to make sure there is no leaks, Remove the aerator with coin, turn on the water, let the water flow for one minute for flush the pipe, then turn off the water and install the aerator.

