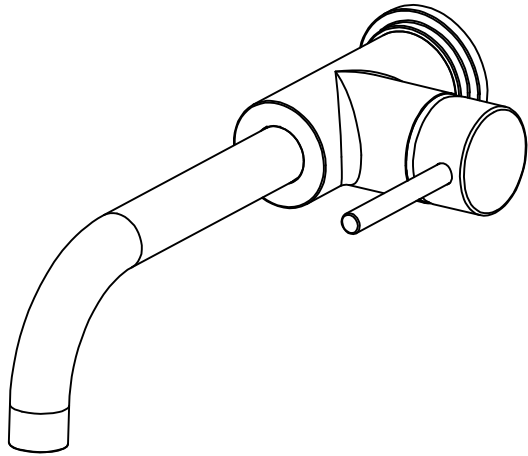


Installation instructions and cautions



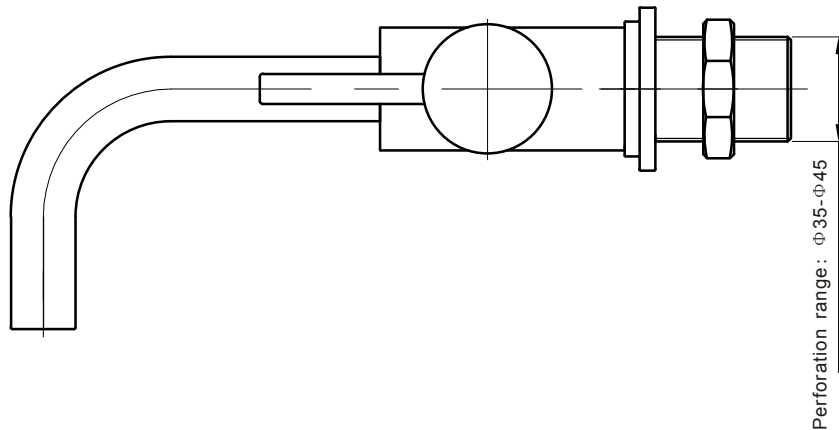
Cautions

1. Clean the pipes before installation.
2. Check the pipes for breaks.
3. The pressure to work on the tap is within 0.05-1.0 MPa.
4. Water supply temperature maximum less than 90 degrees, suggested temperature less than 65 degrees.

Cleaning instructions

1. It is recommended to clean with soft cotton cloth or sponge.
2. Do not use any aggressive liquids for cleaning, such as ammonia, decontaminated water, toilet bowl cleaner, etc.
3. Do not use metal or hard cleaning tools such as cleaning balls to wipe the surface of the tap.

Mounting Dimensions

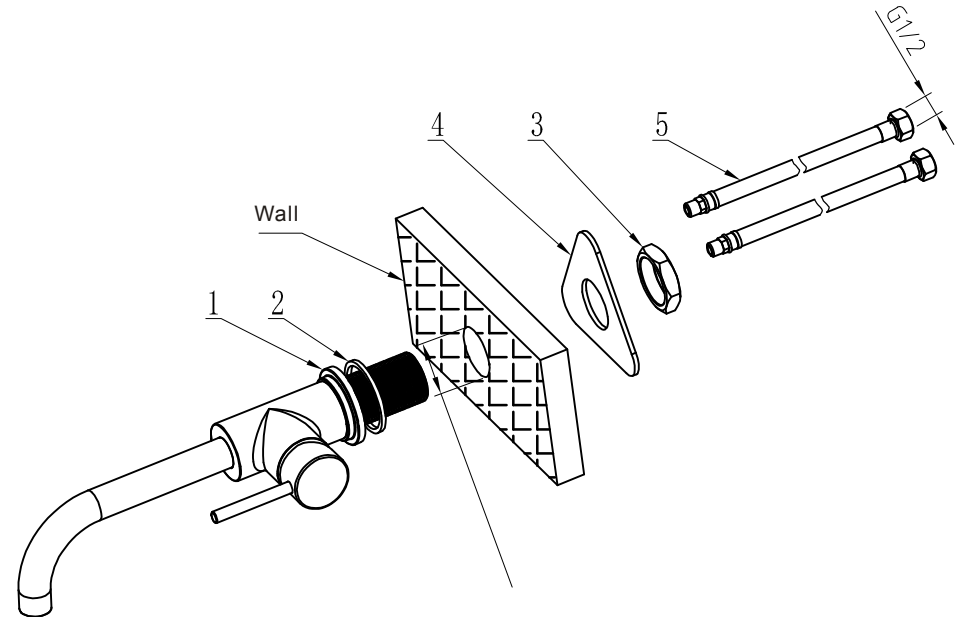


Installation steps

1. Installation of the tap

Remove the nut (NO. 3) from the tap, install the tap through the mounted hole on the wall, attach the triangle (NO. 4) on the tap, then attach the nut (NO. 3), tighten the nut (NO. 3) with wrench.

After the installation of the tap, connect the hose (NO. 5) with the tap, the other side of the hose connect to the hot/cold inlet pipe.



2. Installation check

After the installation, open the water supply valve and check whether there is any leakage in each connection part.

Remove the aerator (NO. 7) with specialized wrench (NO. 6), turn on the valve, allow the water to run for one minute, flush the contaminants in the pipe.

