

49.6032/49.6033/49.6034/49.6035/49.6036

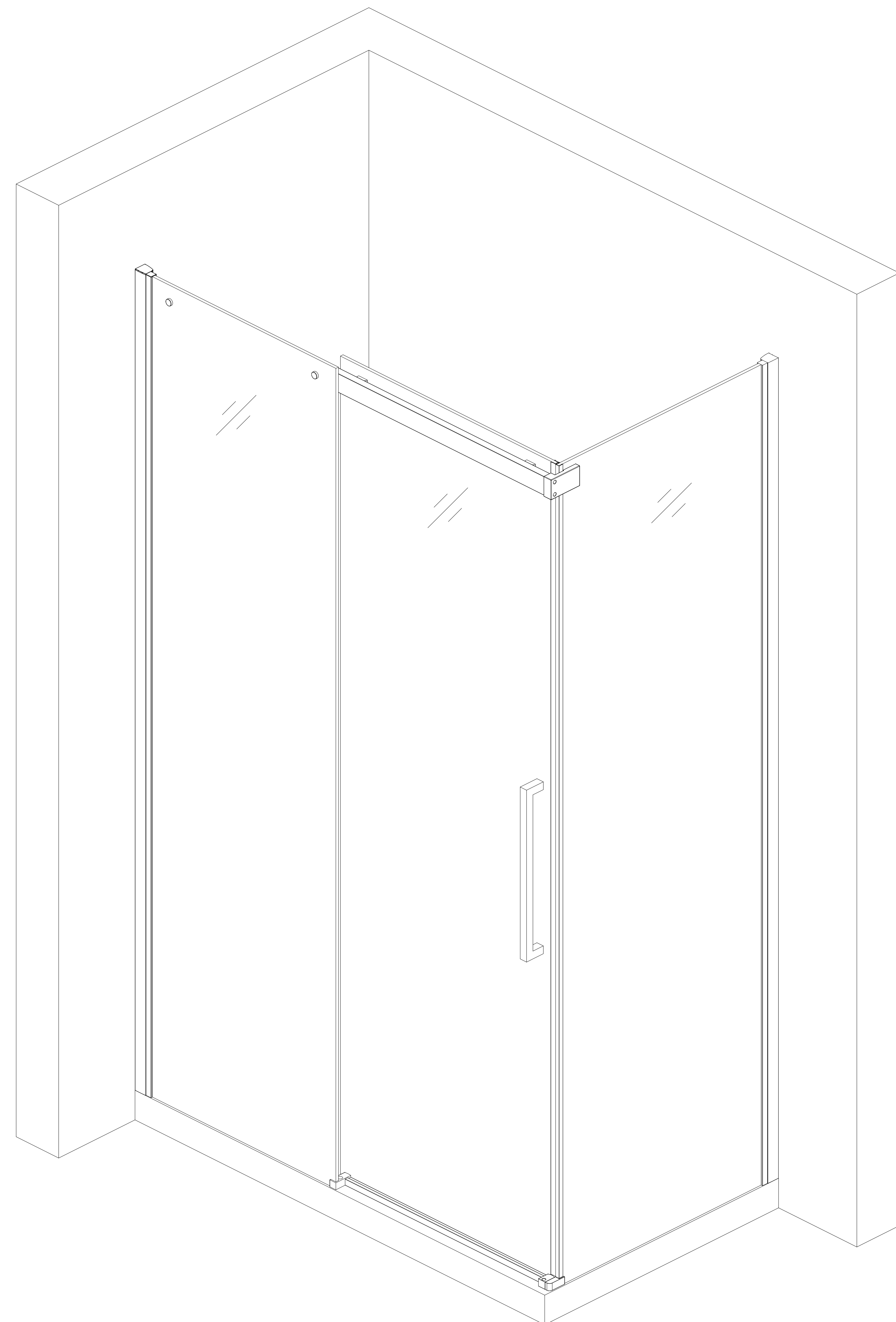
**Eastbrook** 

Eastbrook Road, Gloucester GL4 3DB

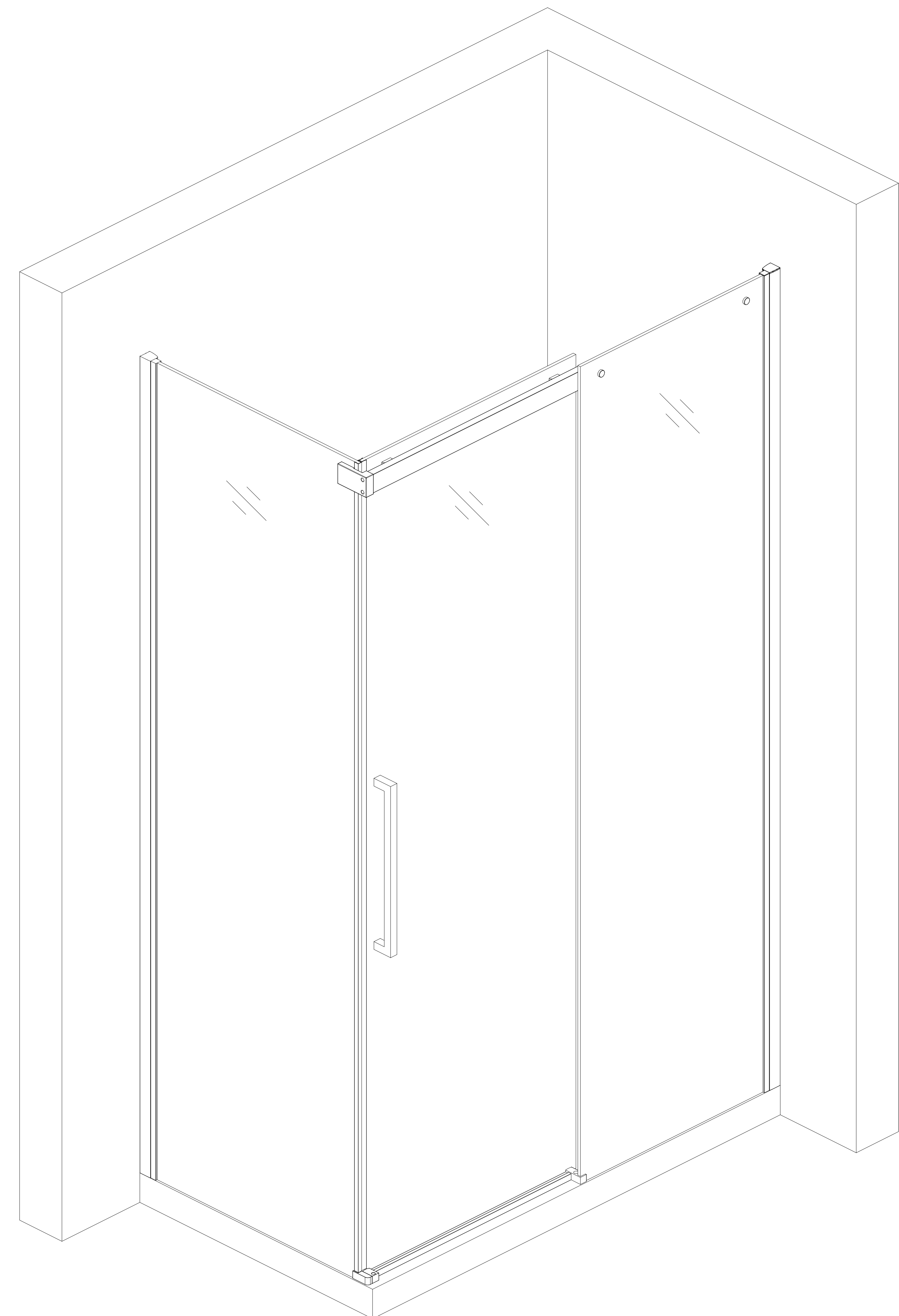
Technical Helpline: 01452 317890

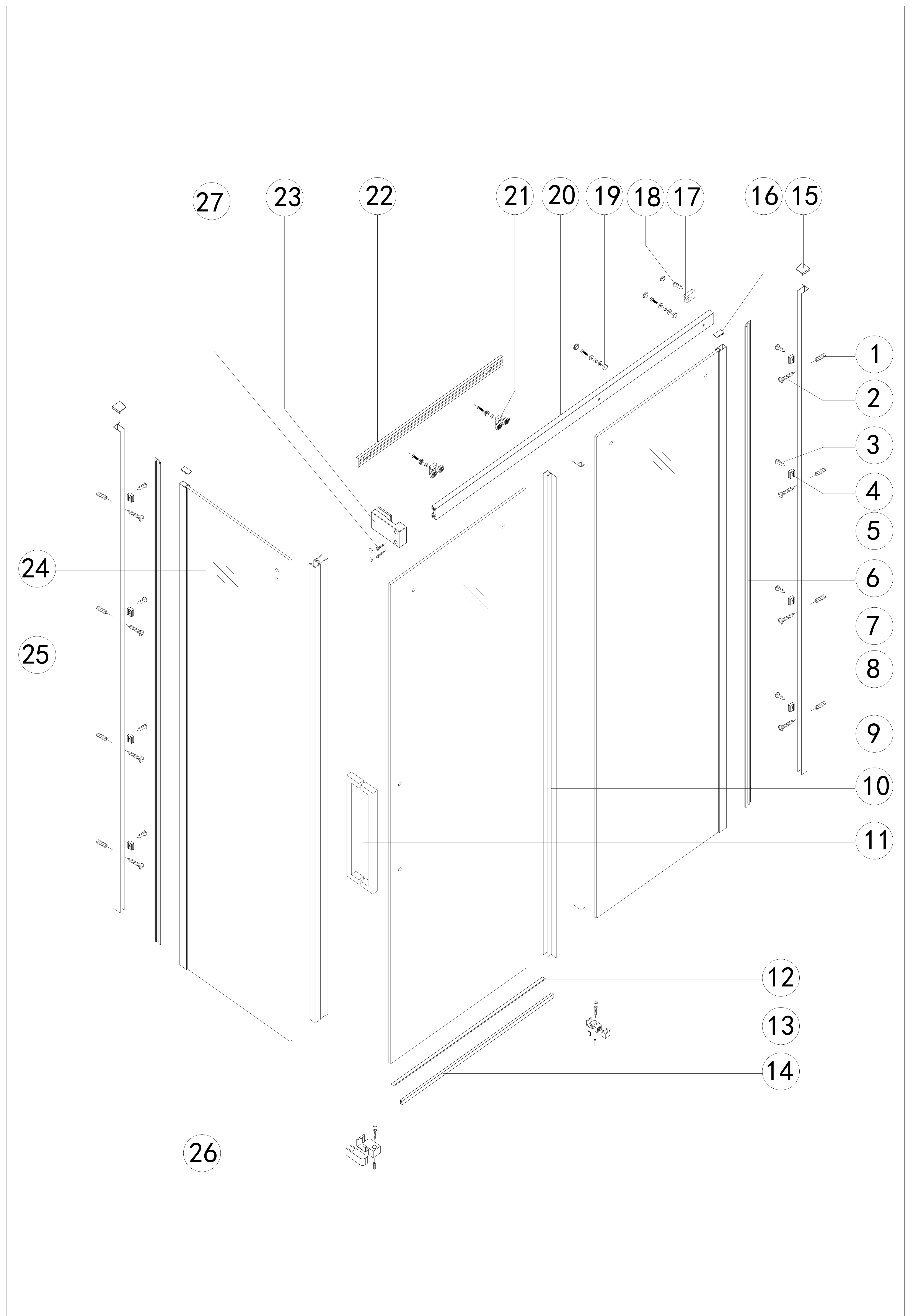
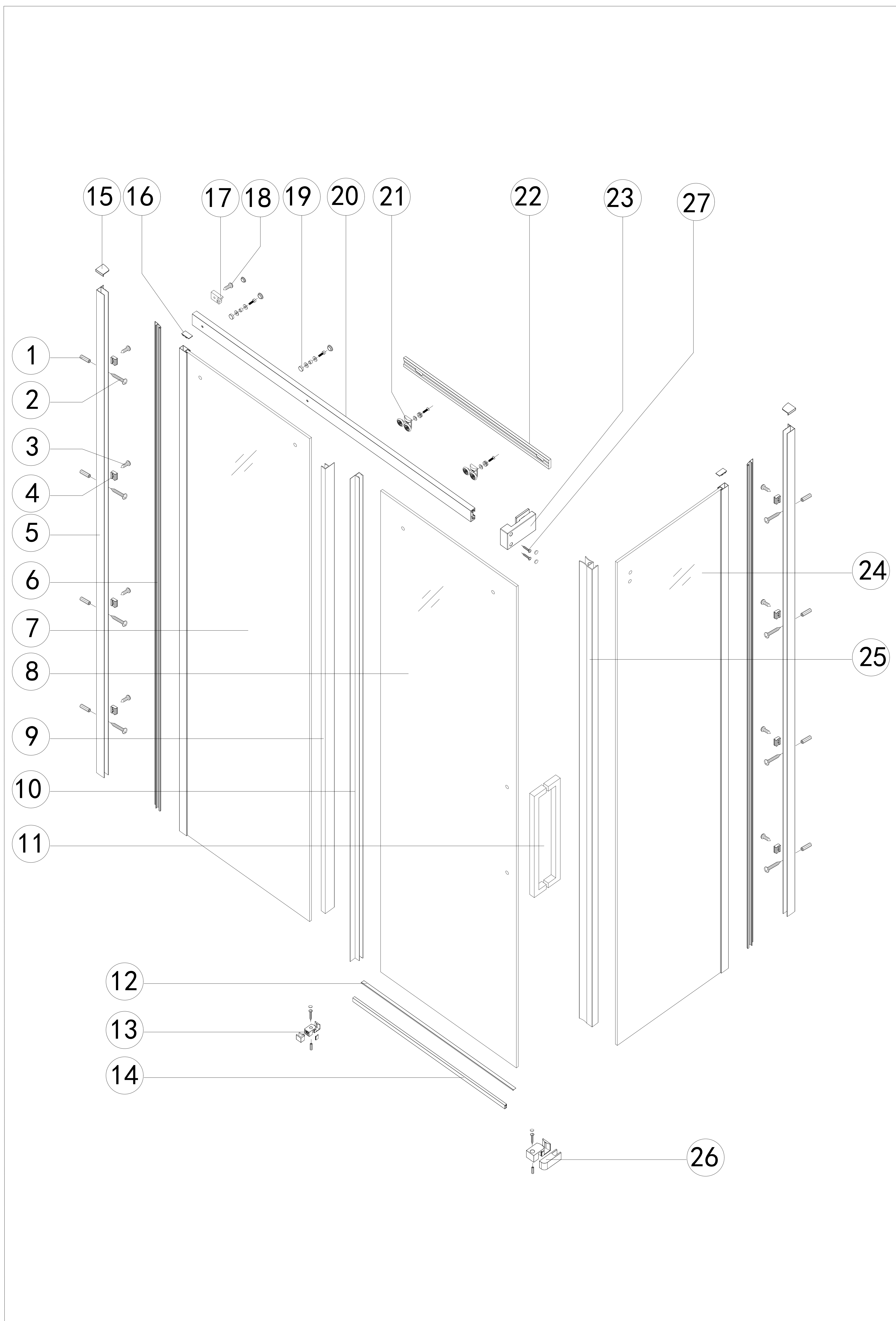
email: [technical@eastbrookco.com](mailto:technical@eastbrookco.com)

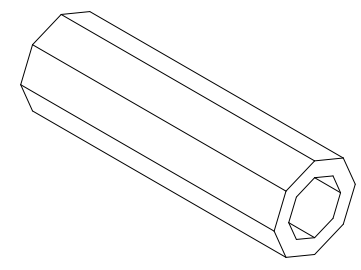
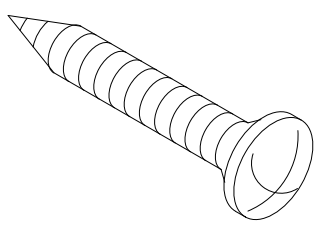
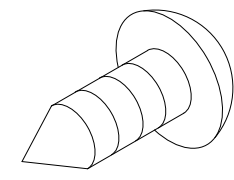
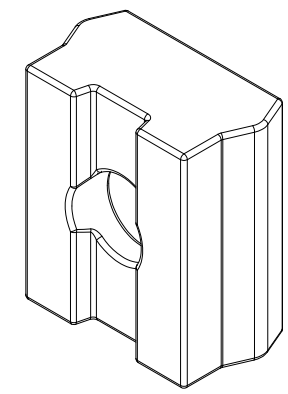
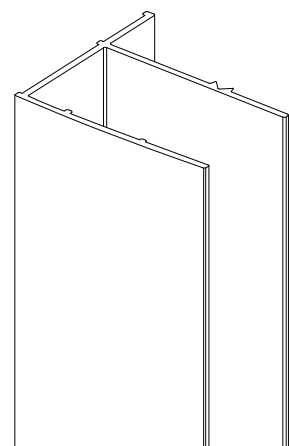
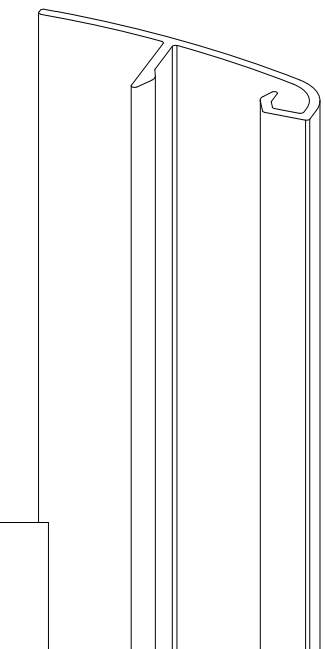
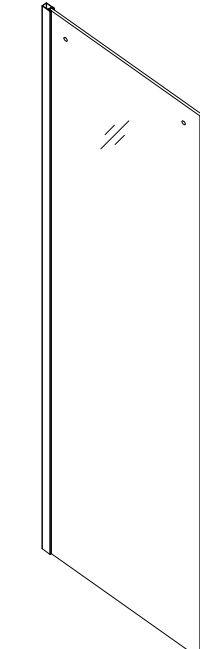
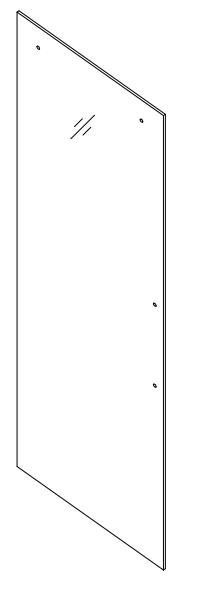
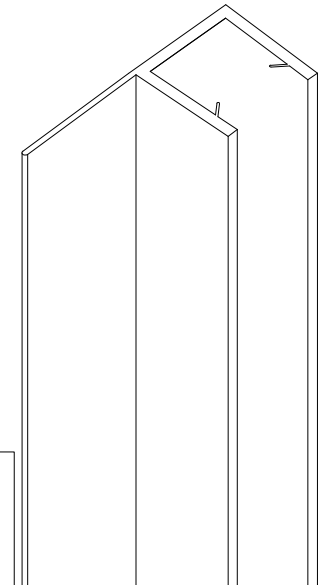
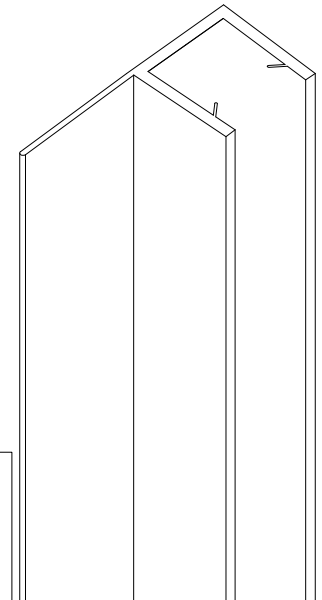
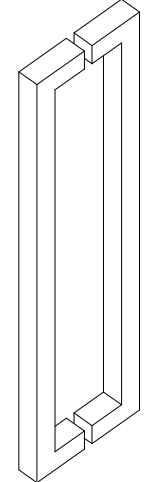
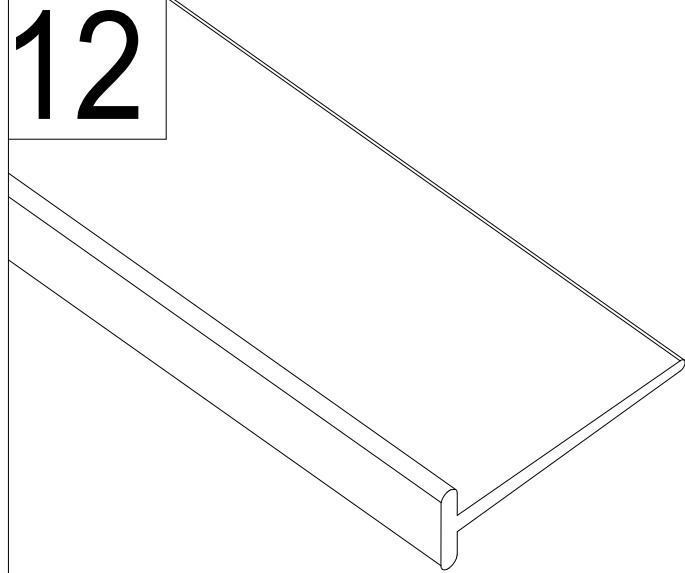
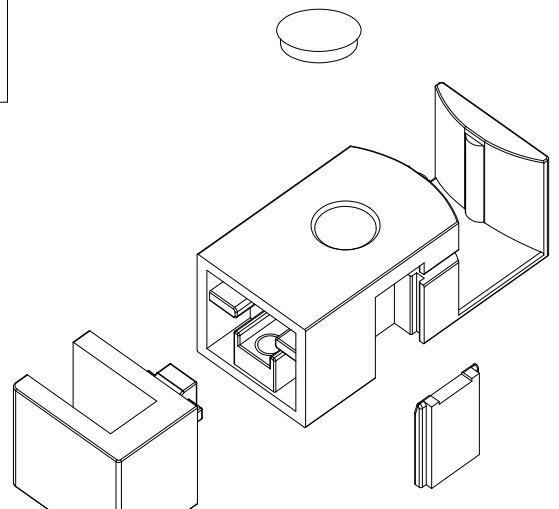
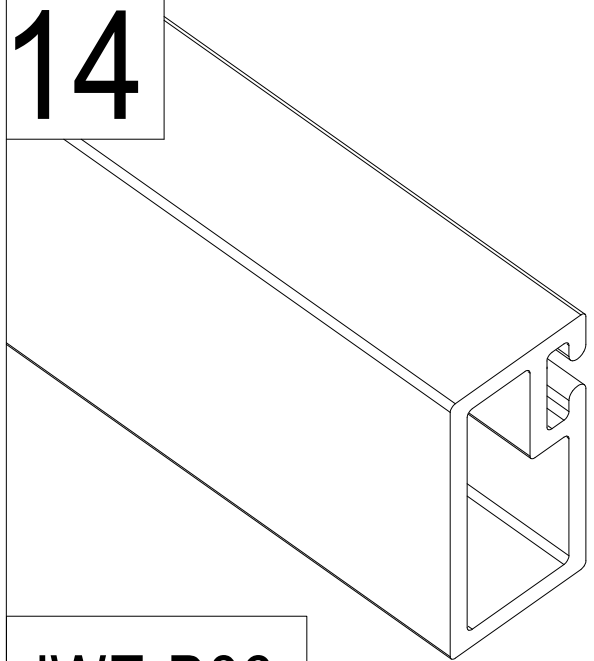
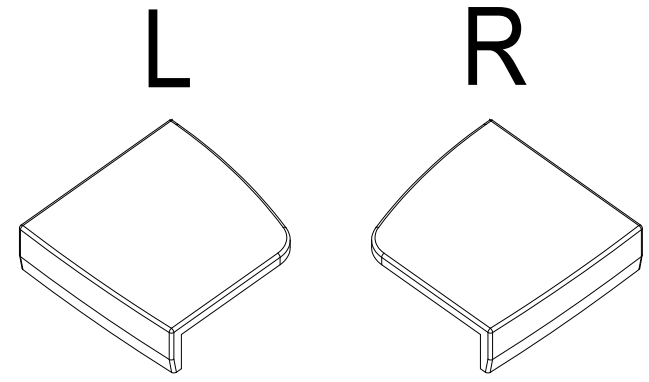
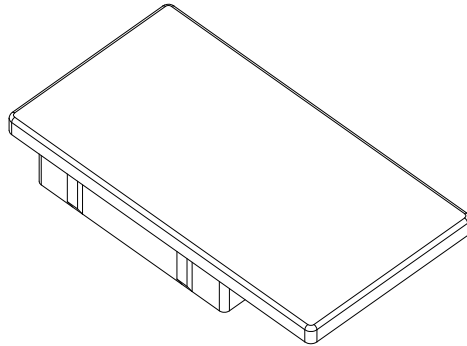
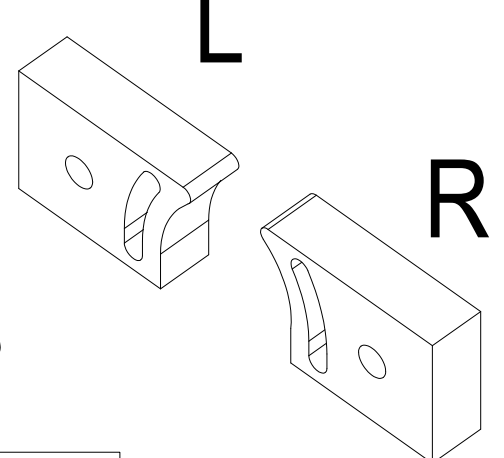
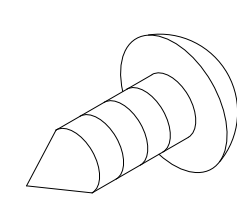
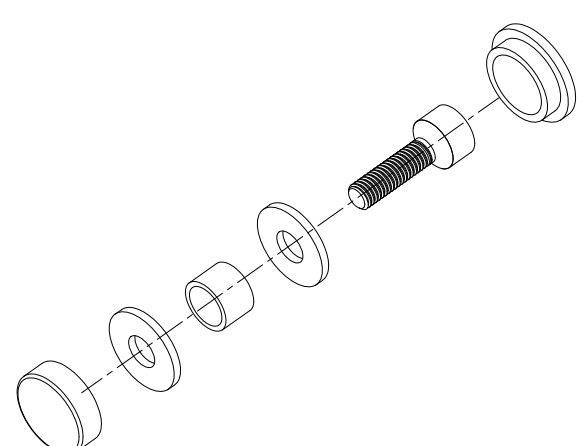
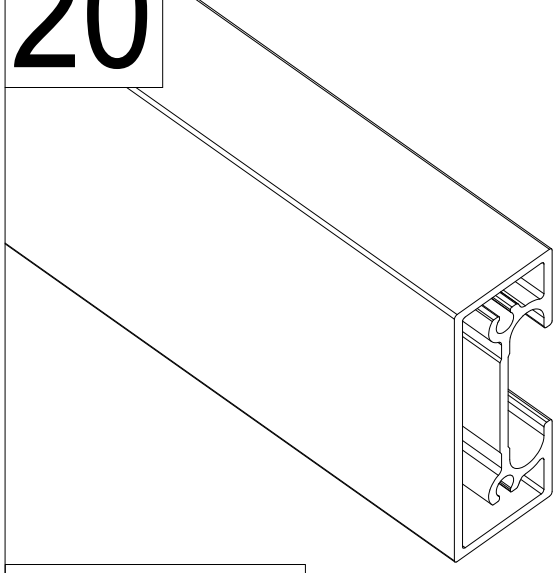
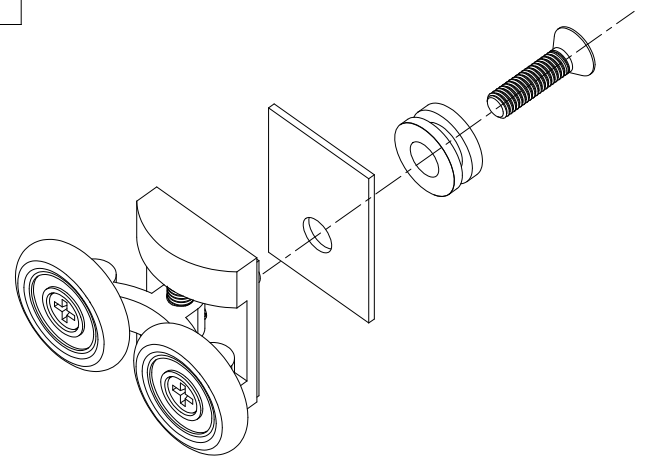
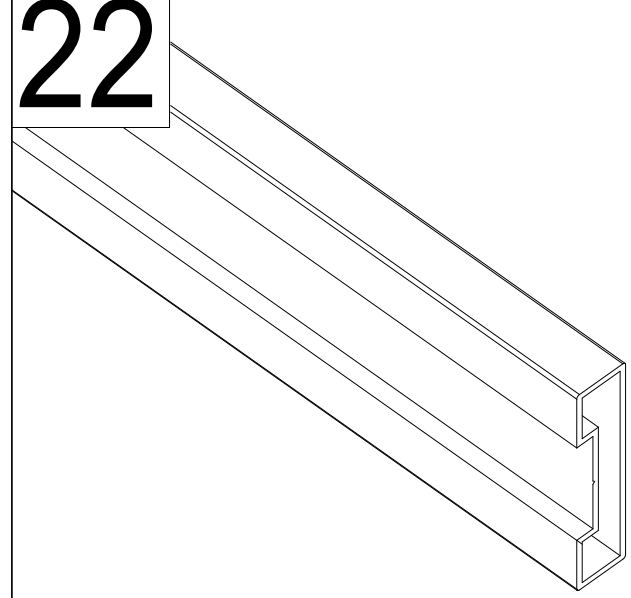
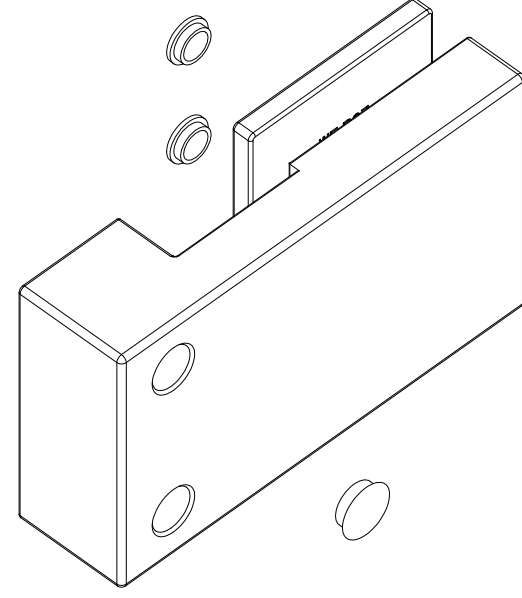
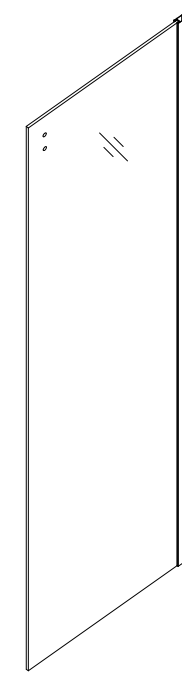
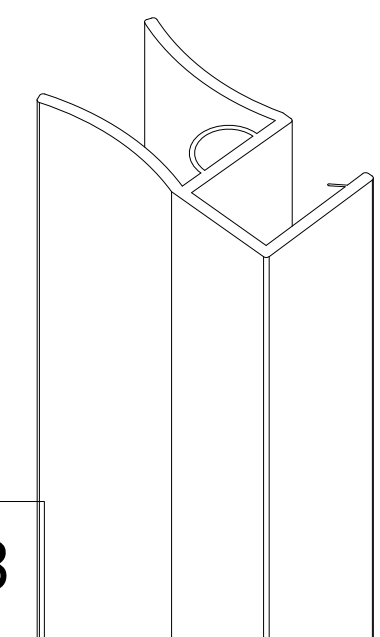
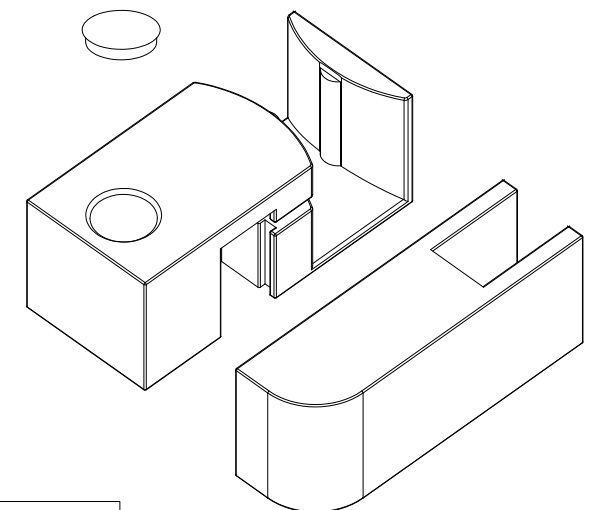
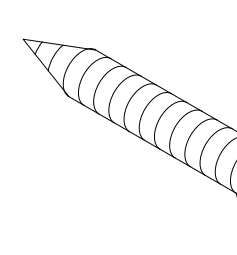
**L**



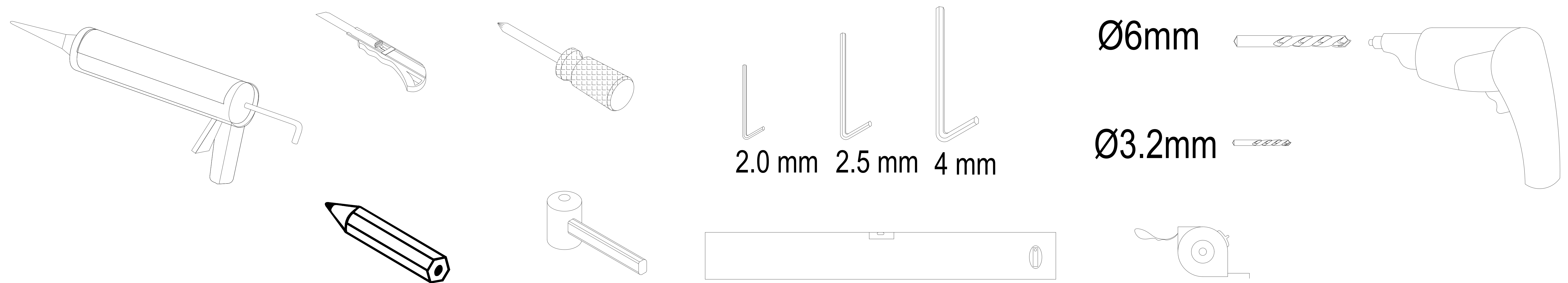
**R**



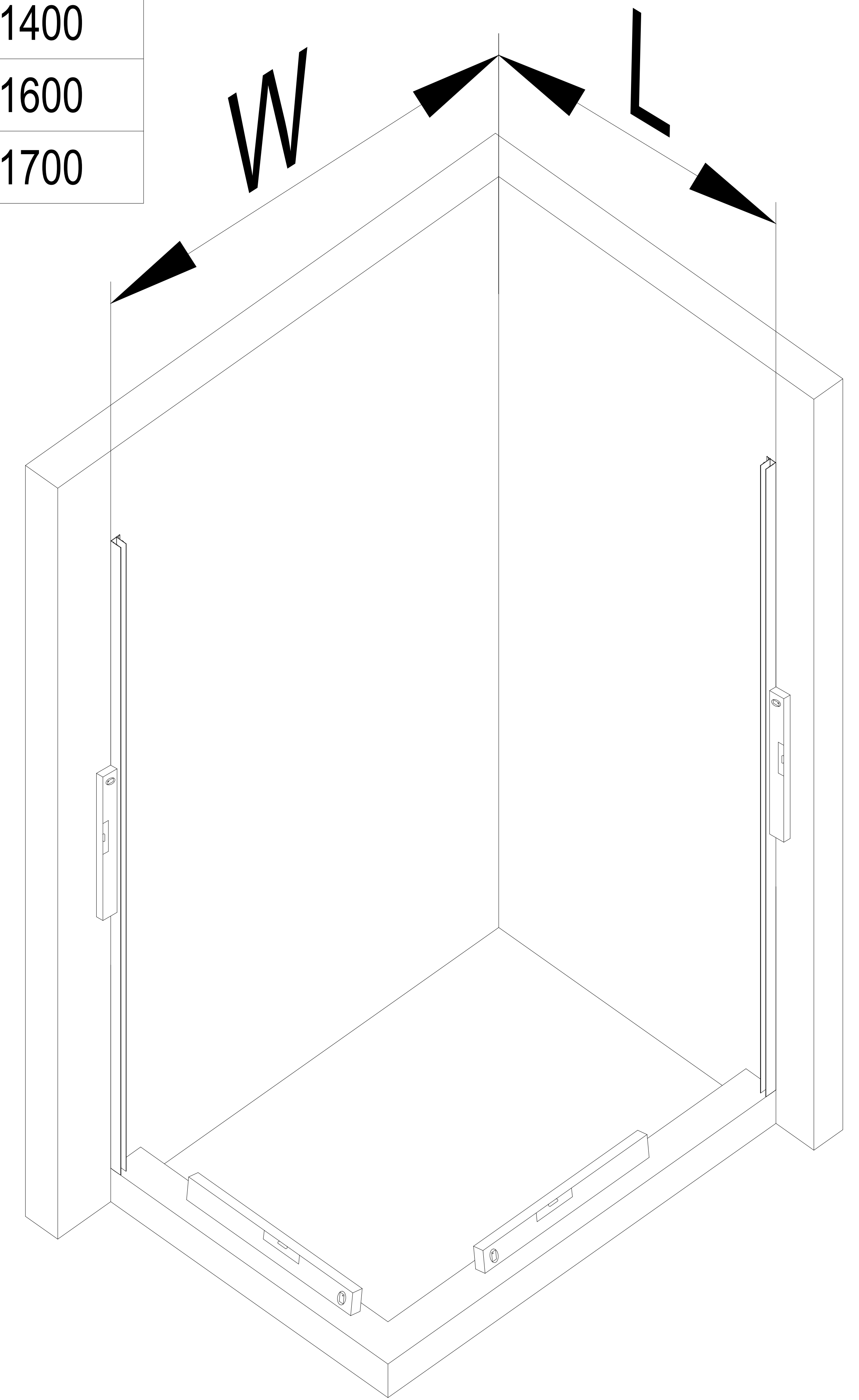
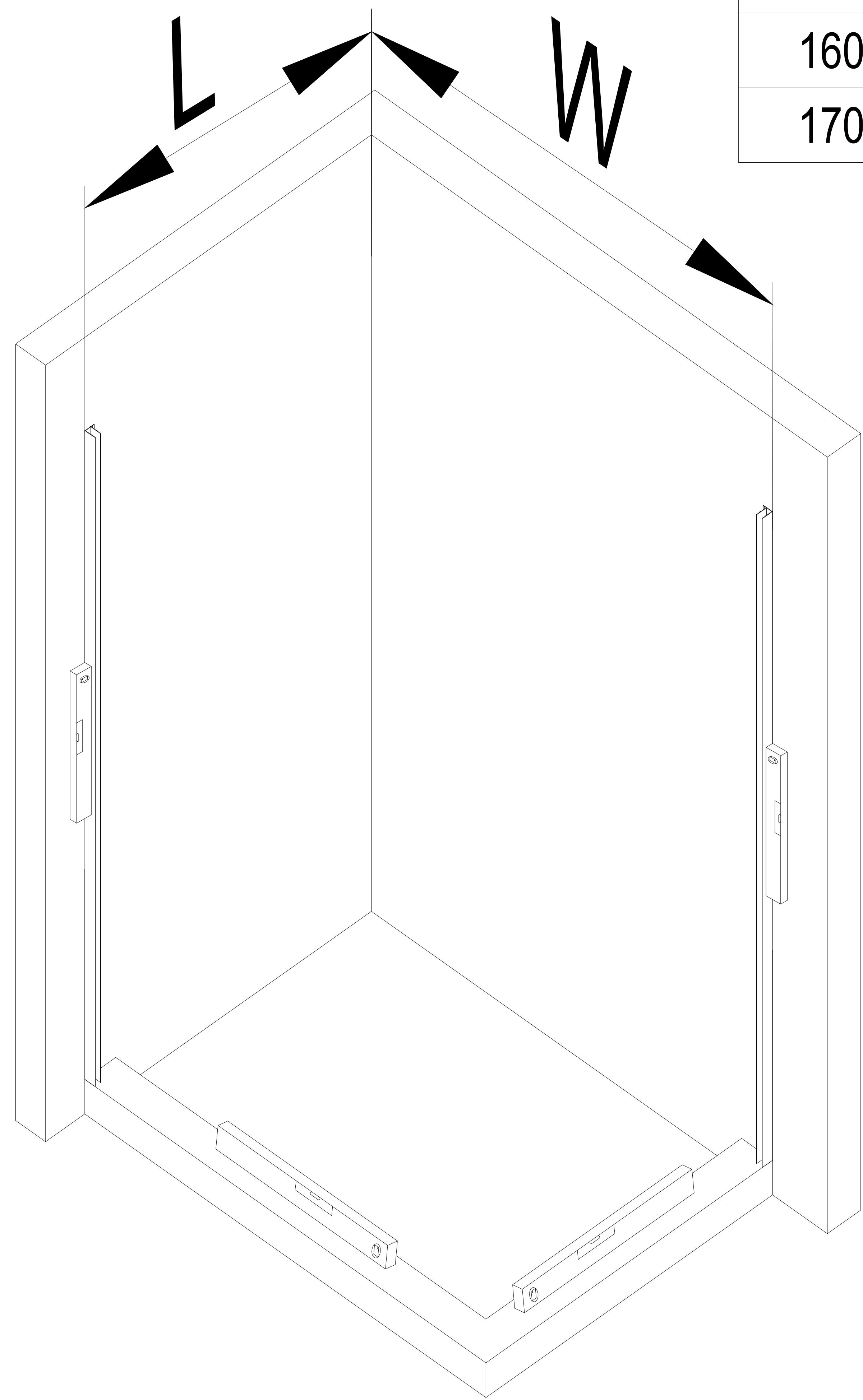


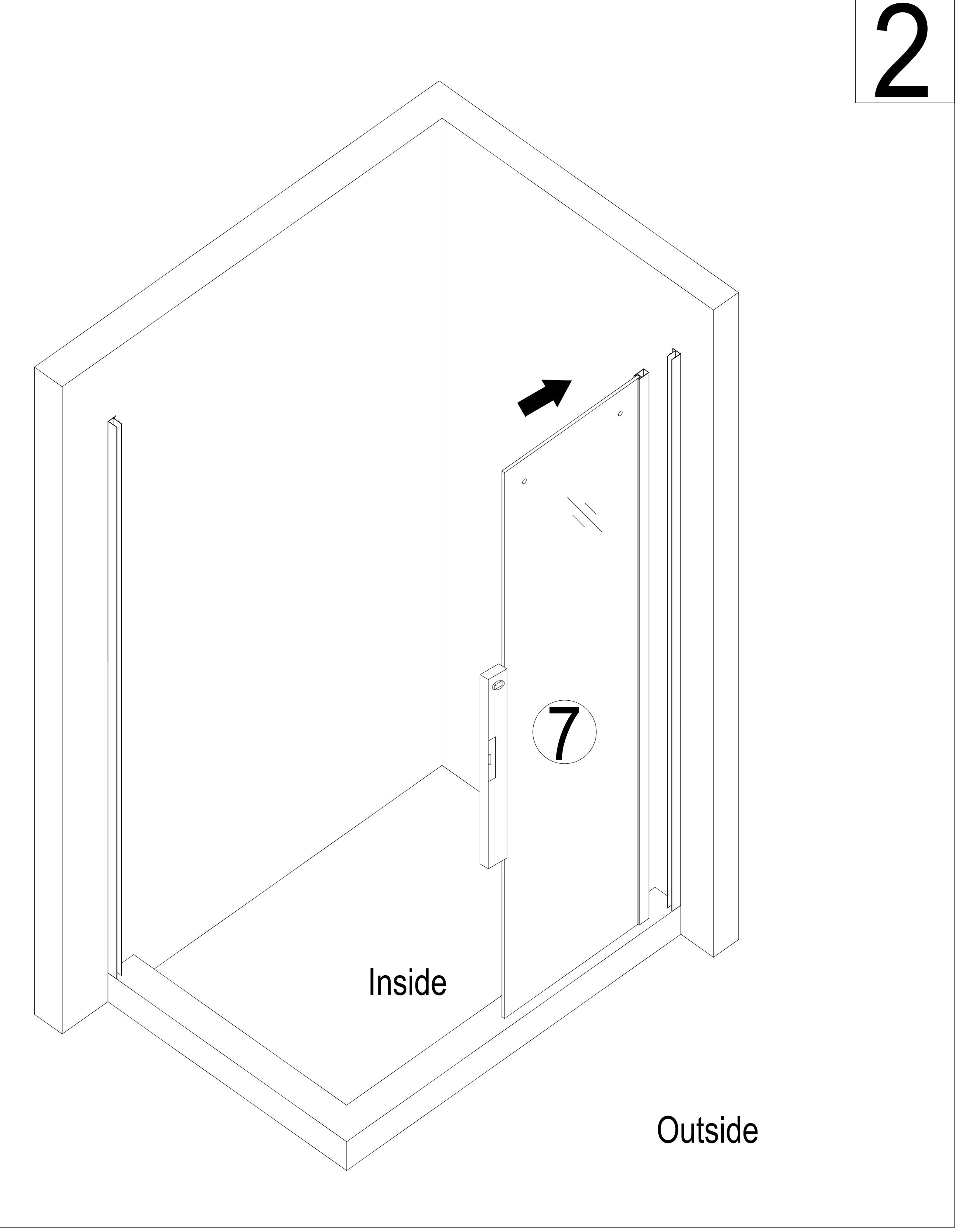
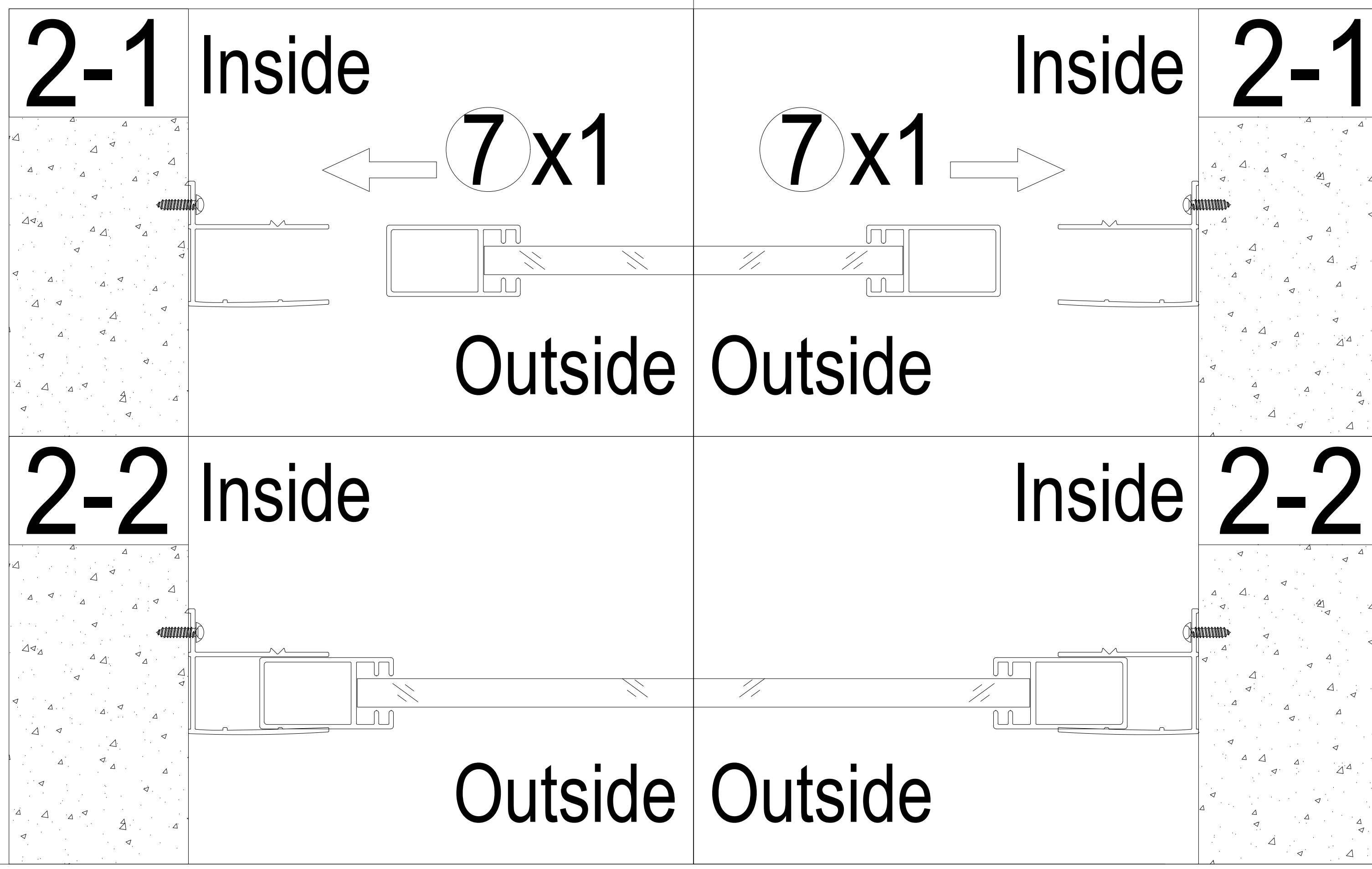
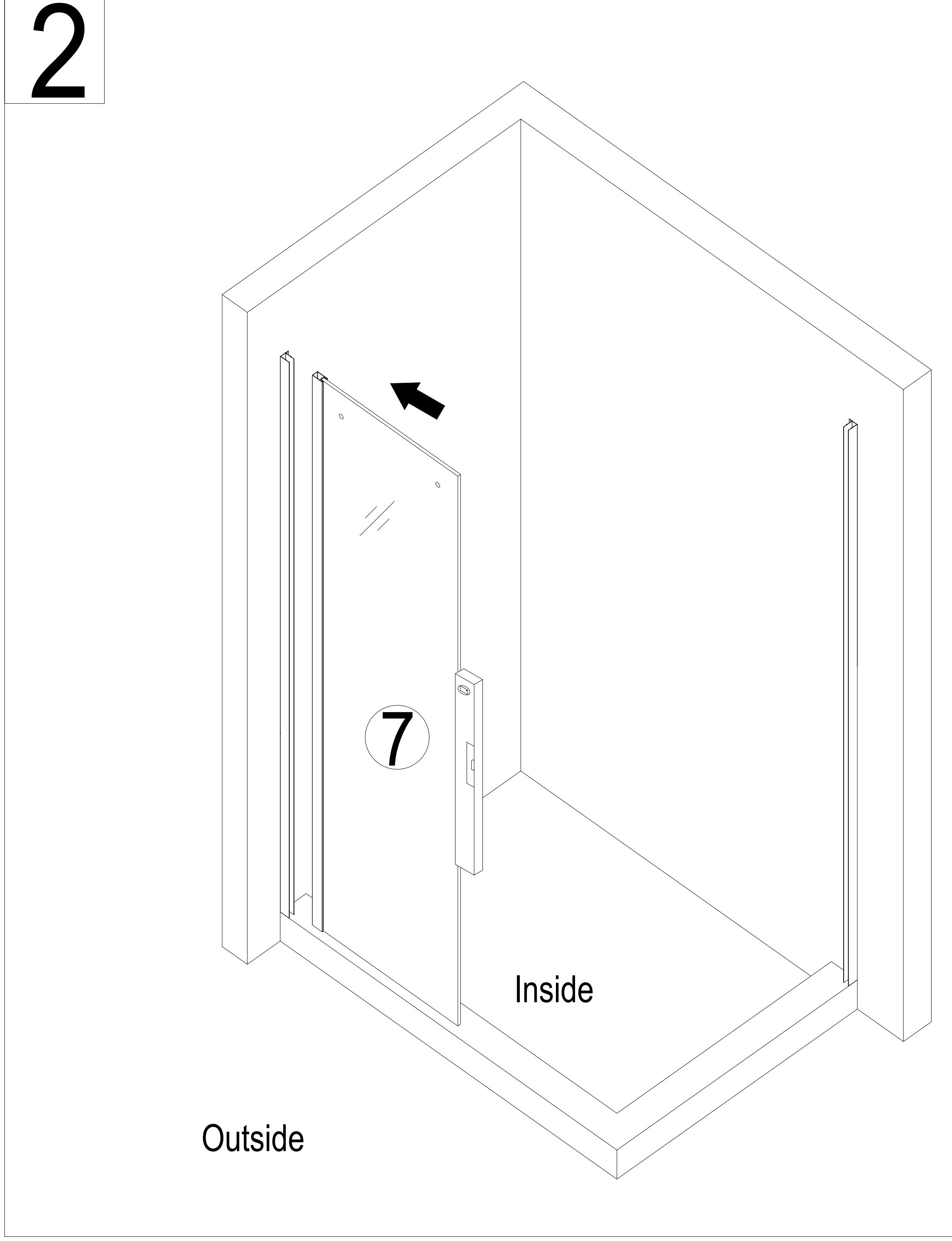
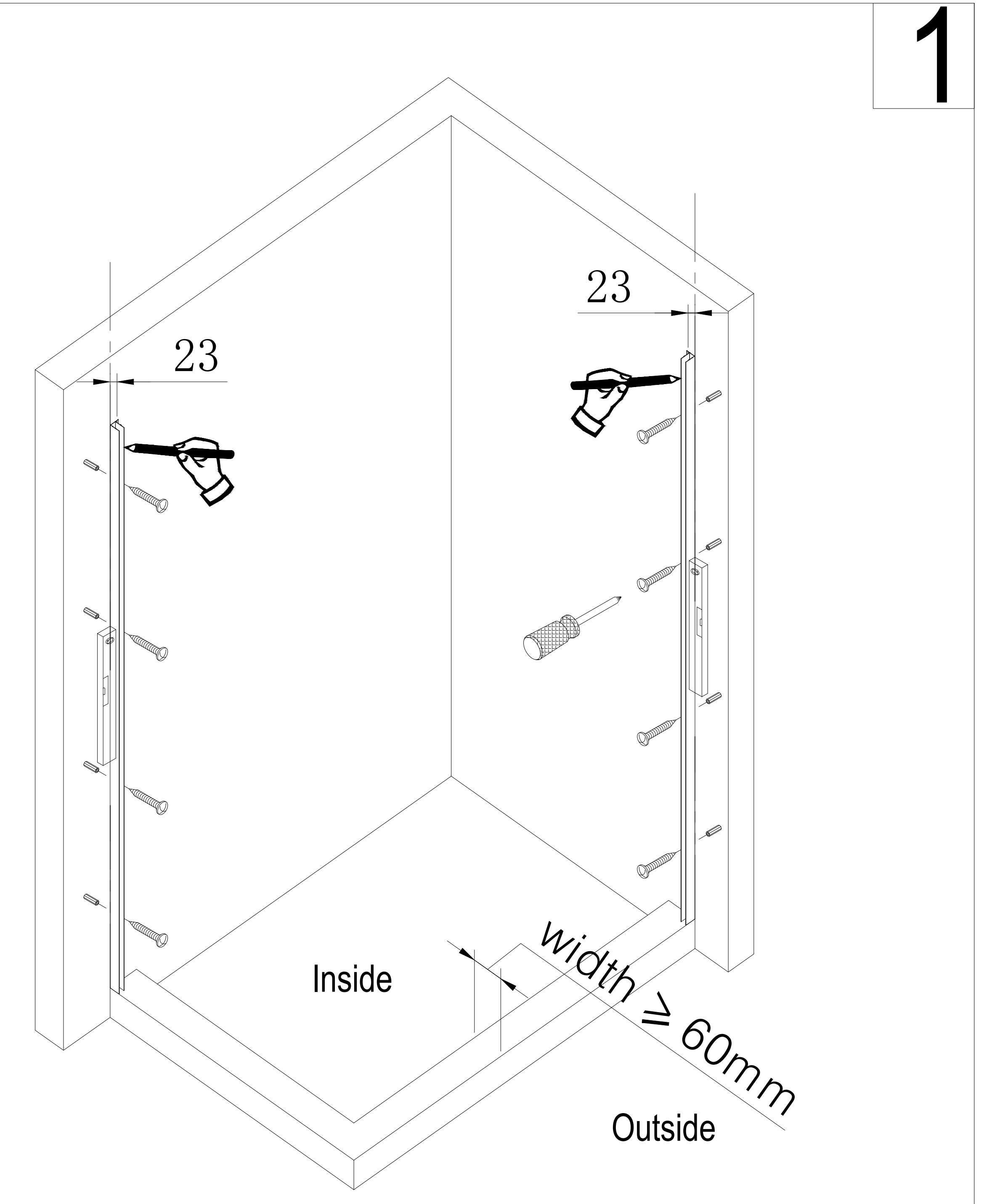
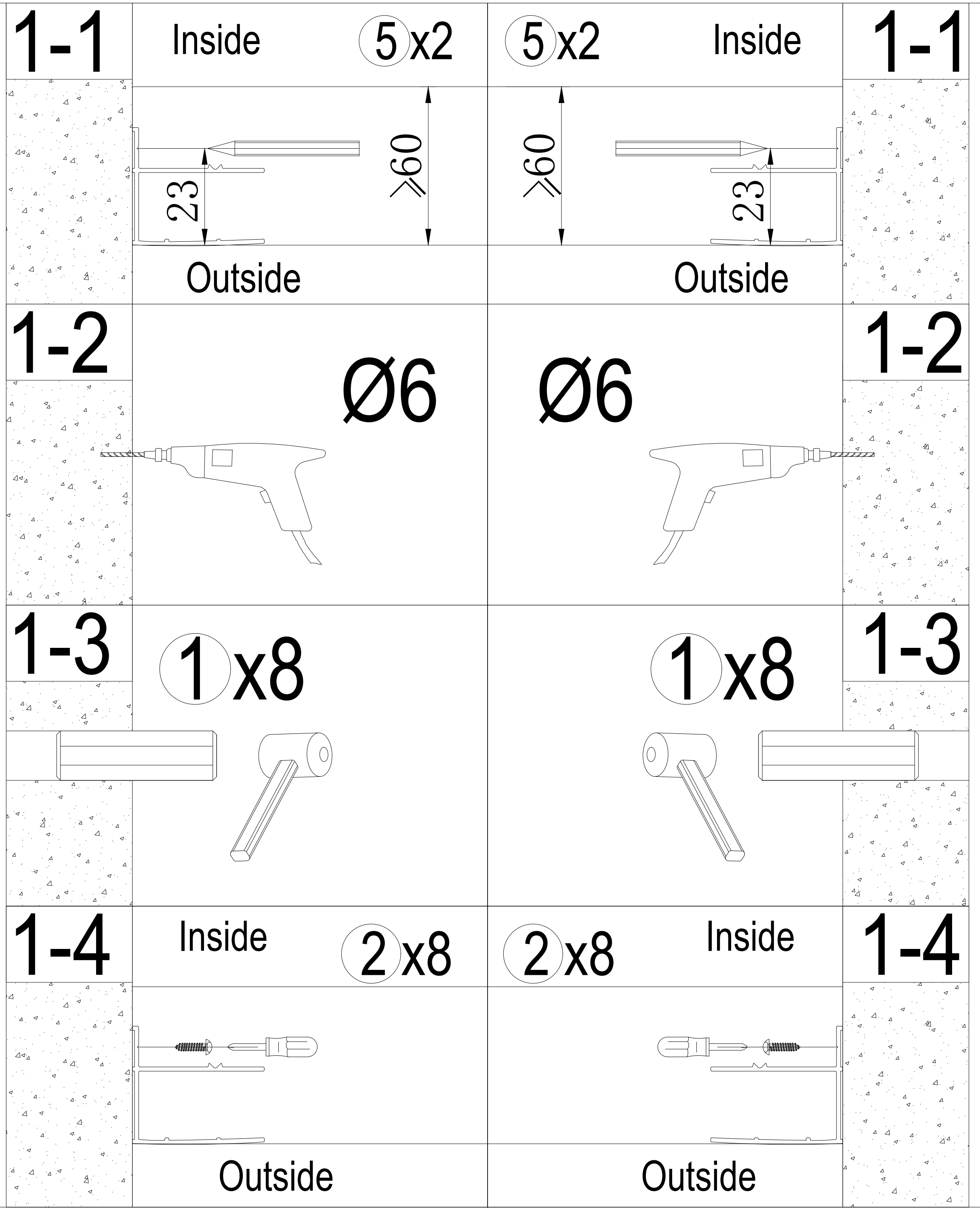
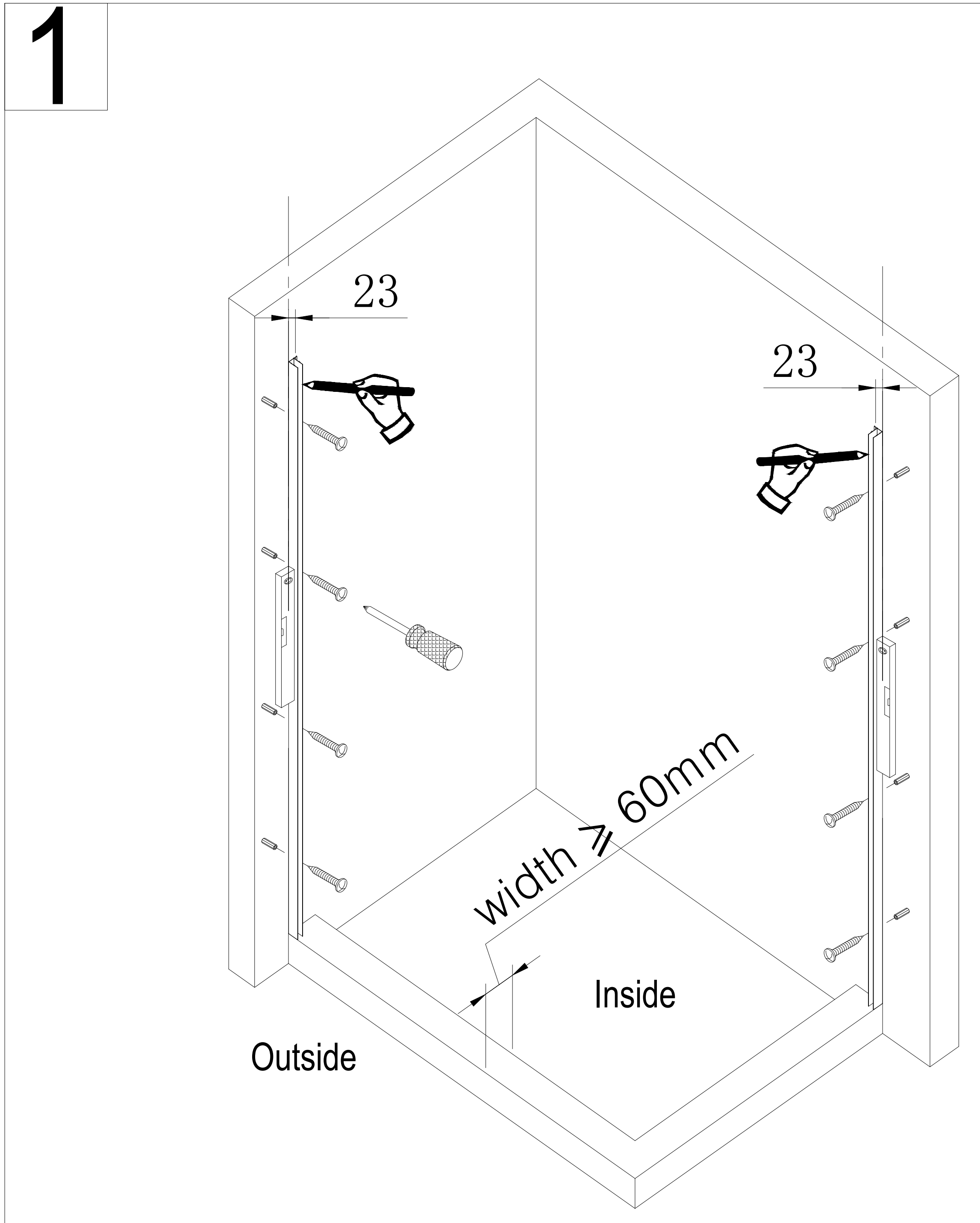
1  D6x30 10Pcs	2  ST4X30 10Pcs	3  ST4X12 8Pcs	4  JRF-6Y01 8Pcs	5  JWE-B01 2Pcs	6  JWE-B02 2Pcs	7  JWE-J01 1Pcs	8  JWE-J01 1Pcs	9 1915mm  JWE-J01 1Pcs
10 1923mm  JWE-J02 1Pcs	11  JWE-D05 1Pcs	12  JWE-J04 1Pcs	13  JWE-D01 1Pcs	14  JWE-B06 1Pcs	15 L R  JWE-S01 2Pcs	16  JWE-S03 2Pcs	17 L R  JWE-S05 2Pcs	18  ST4X8 1Pcs
19  JWE-D02 2Pcs	20  JWE-B03 1Pcs	21  JWE-D03 2Pcs	22  JWE-B04 1Pcs	23  JWE-D07 1Pcs	24  JWE-J03 1Pcs	25  JWE-J03 1Pcs	26  JWE-D06 1Pcs	27  ST4X16 2Pcs

# Tools:



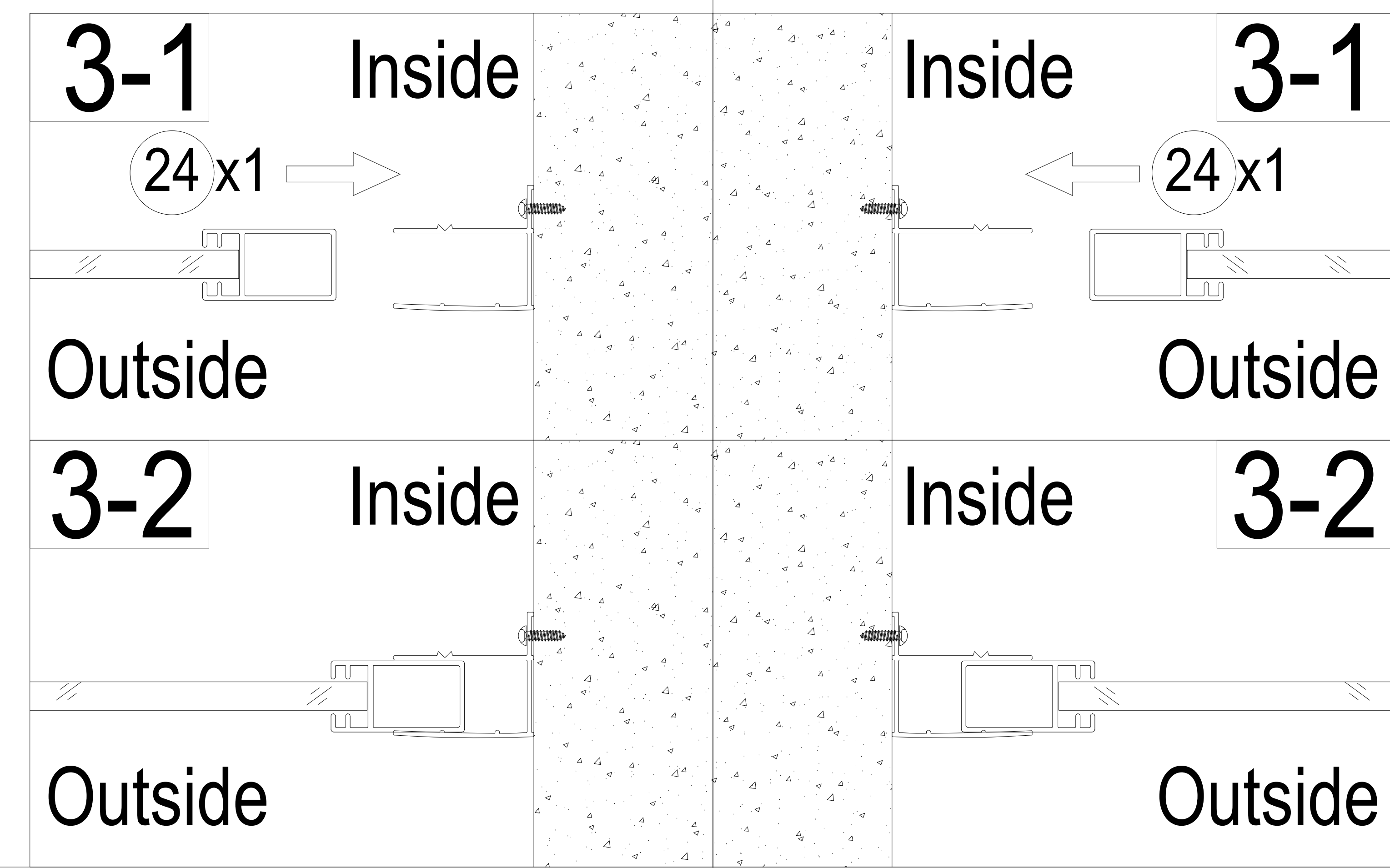
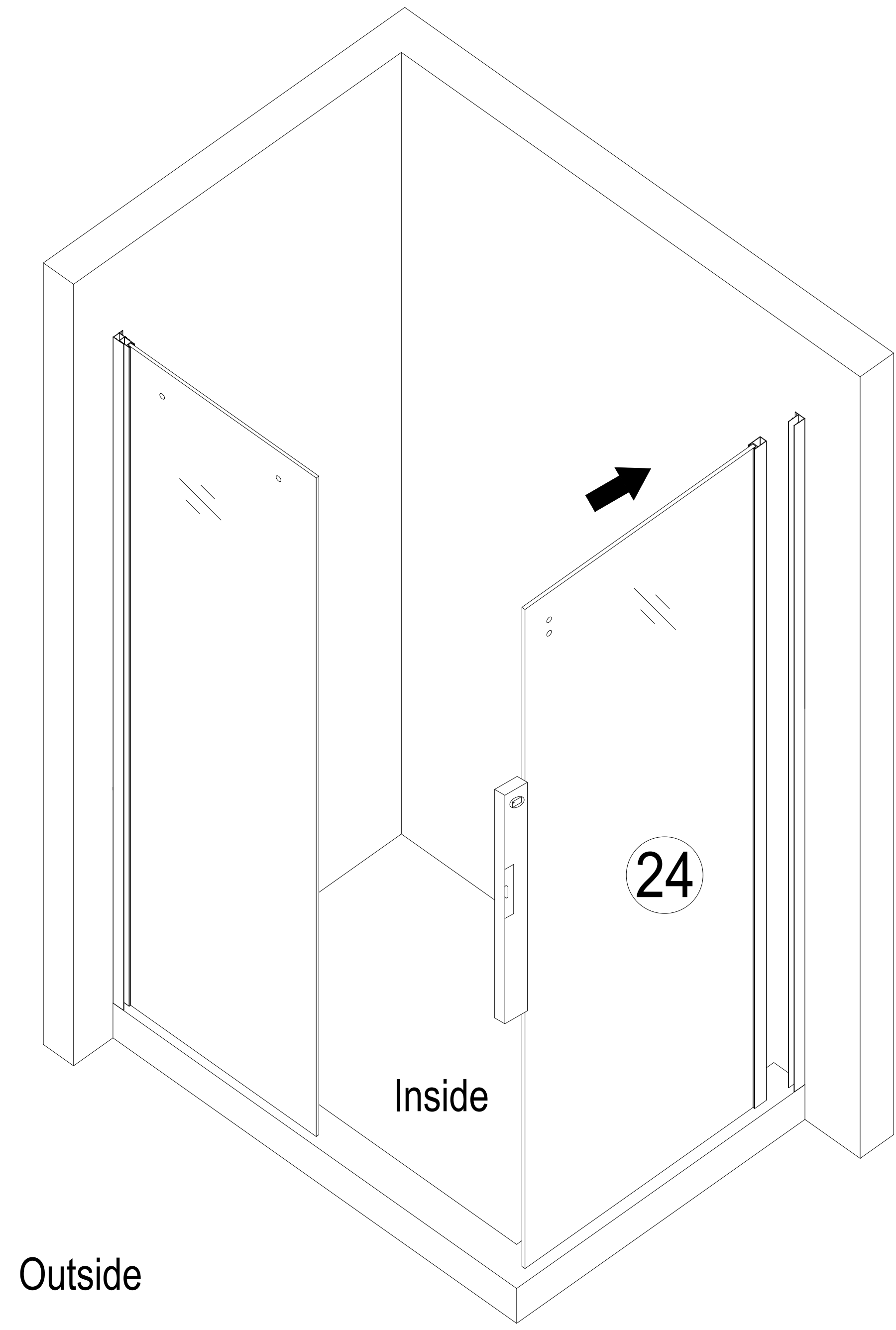
	L	W	W	L	
700	665-680			665-680	700
760	725-740			725-740	760
800	765-780			765-780	800
900	865-880			865-880	900
1000	965-980	965-980	965-980	965-980	1000
1100		1065-1080	1065-1080		1100
1200		1165-1180	1165-1180		1200
1400		1365-1380	1365-1380		1400
1600		1565-1580	1565-1580		1600
1700		1665-1680	1665-1680		1700



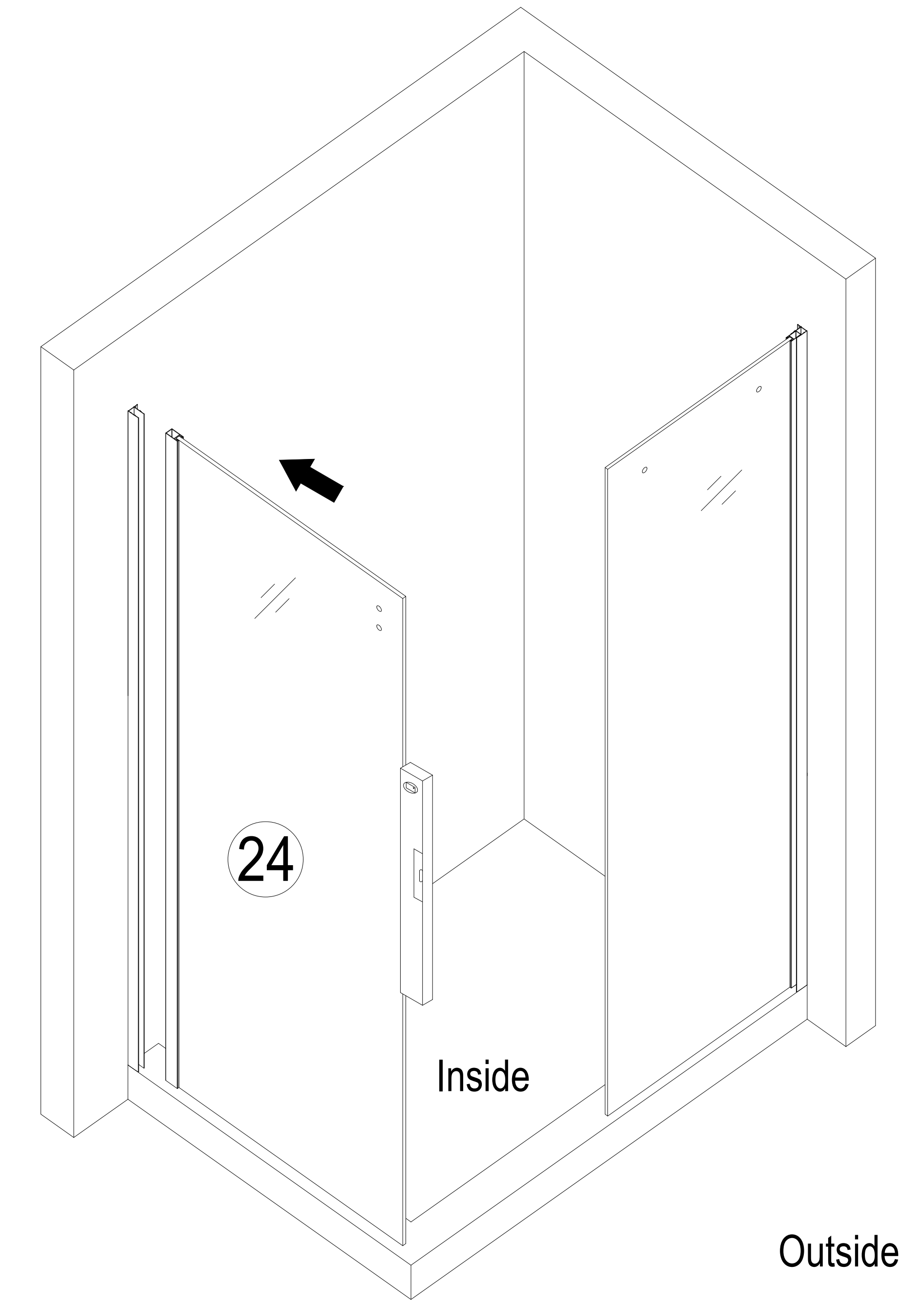




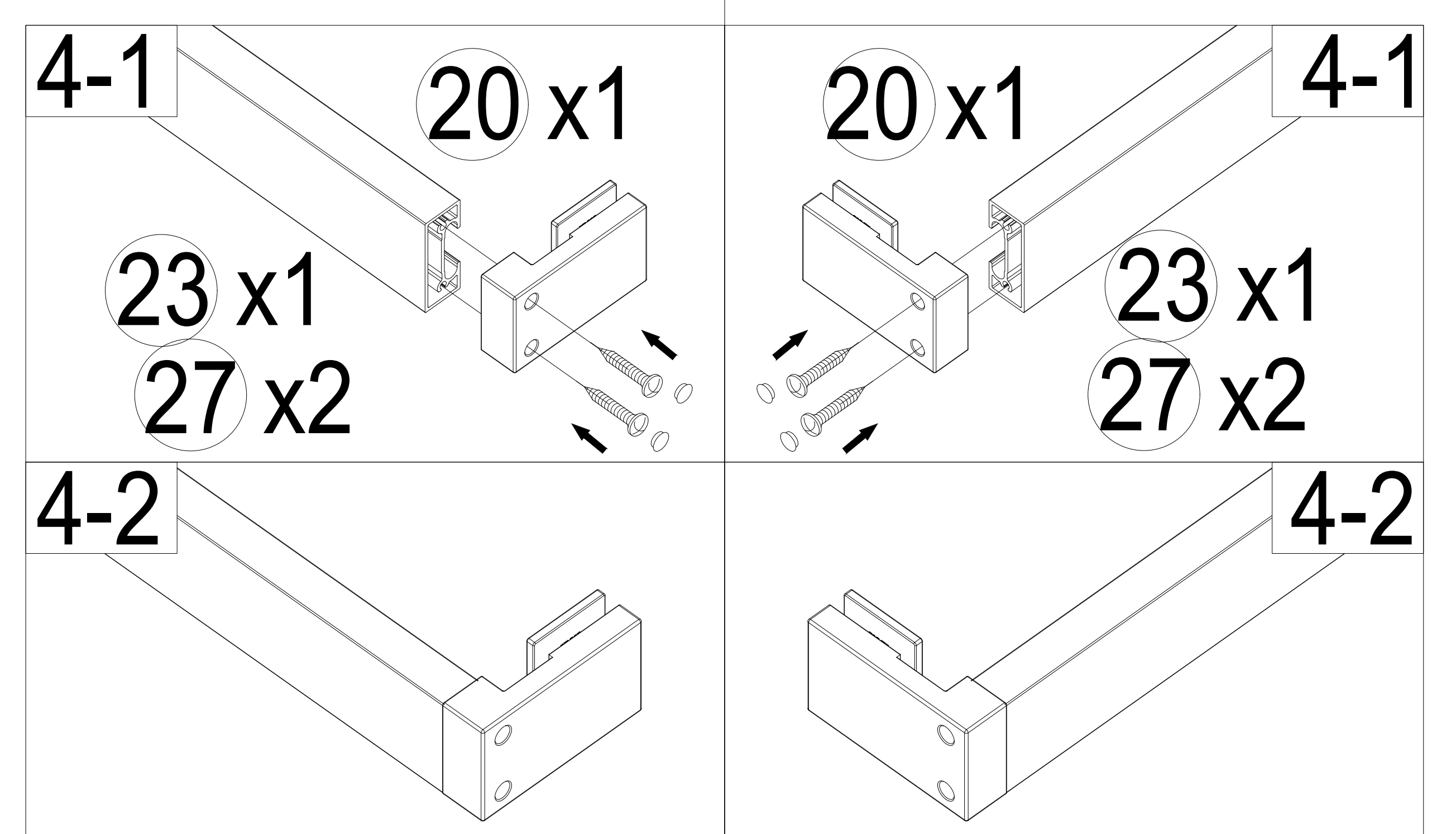
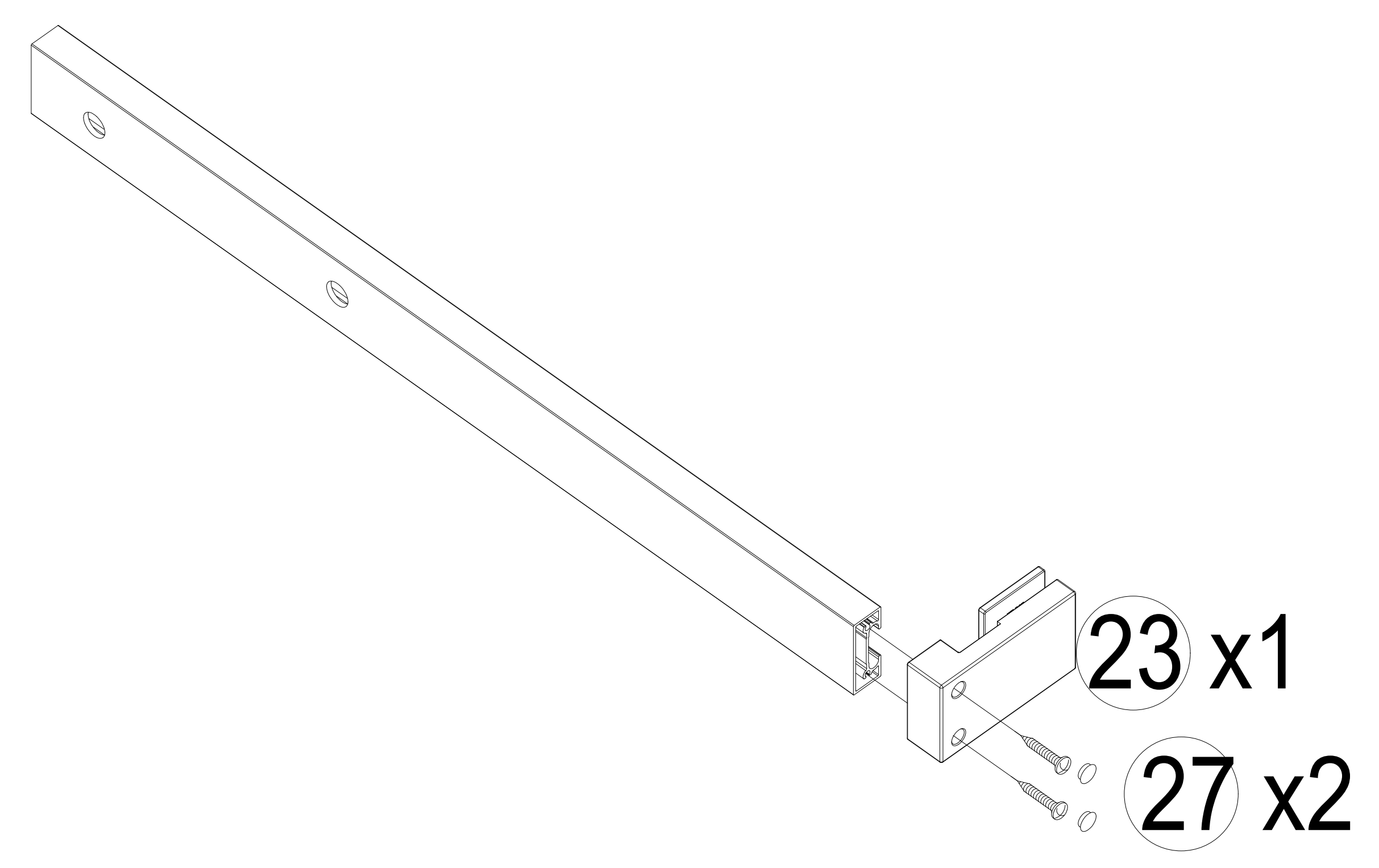
3



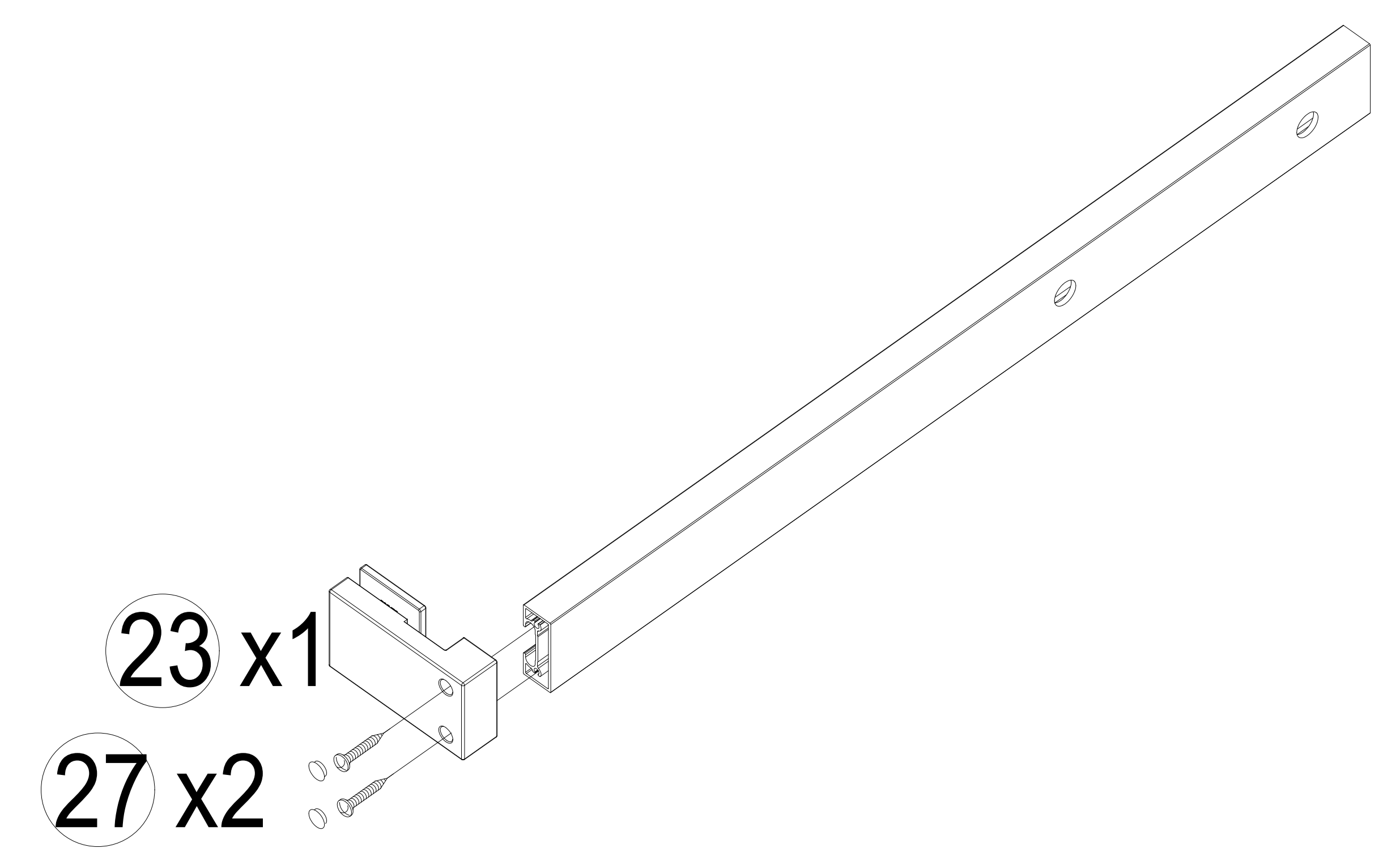
3



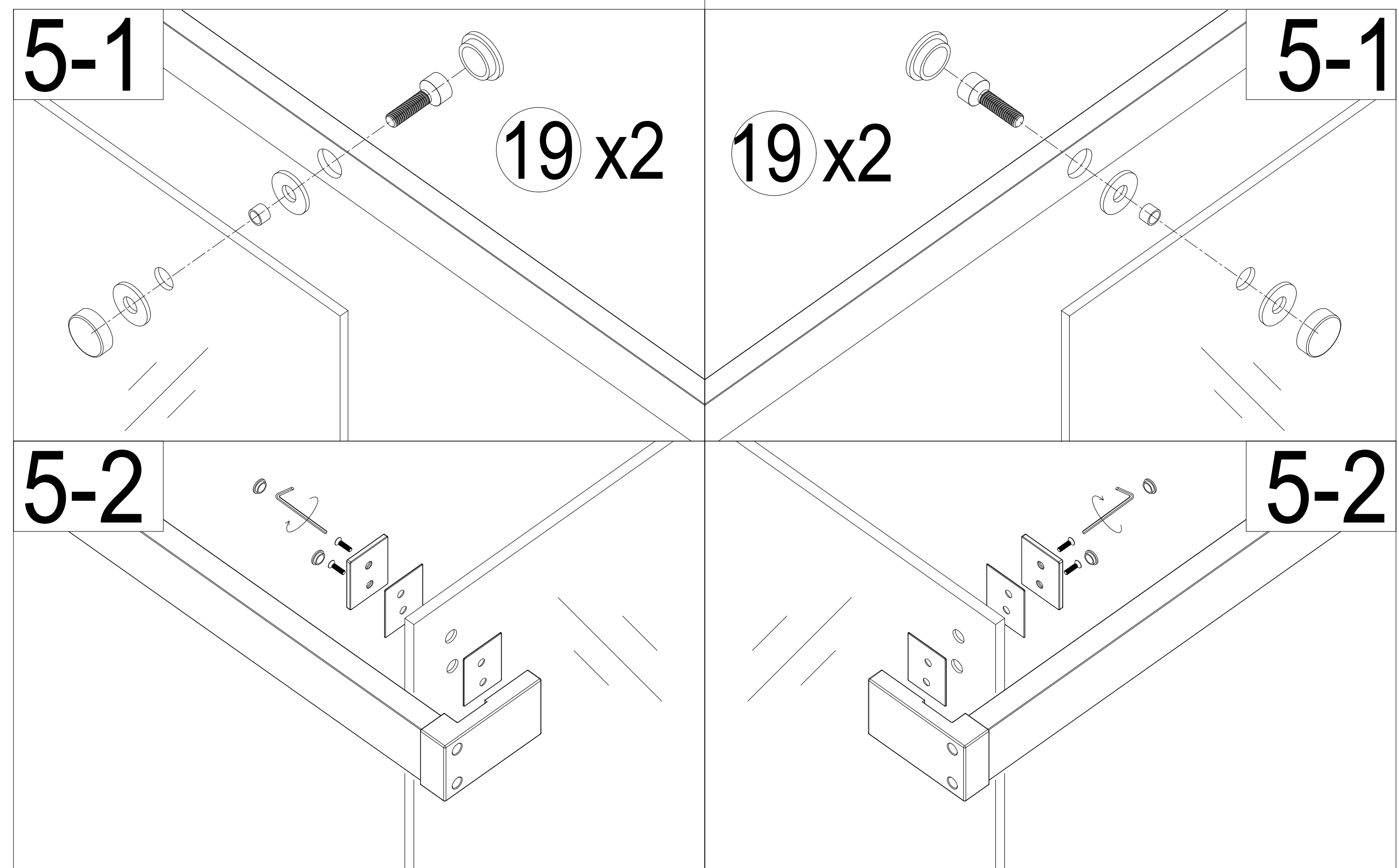
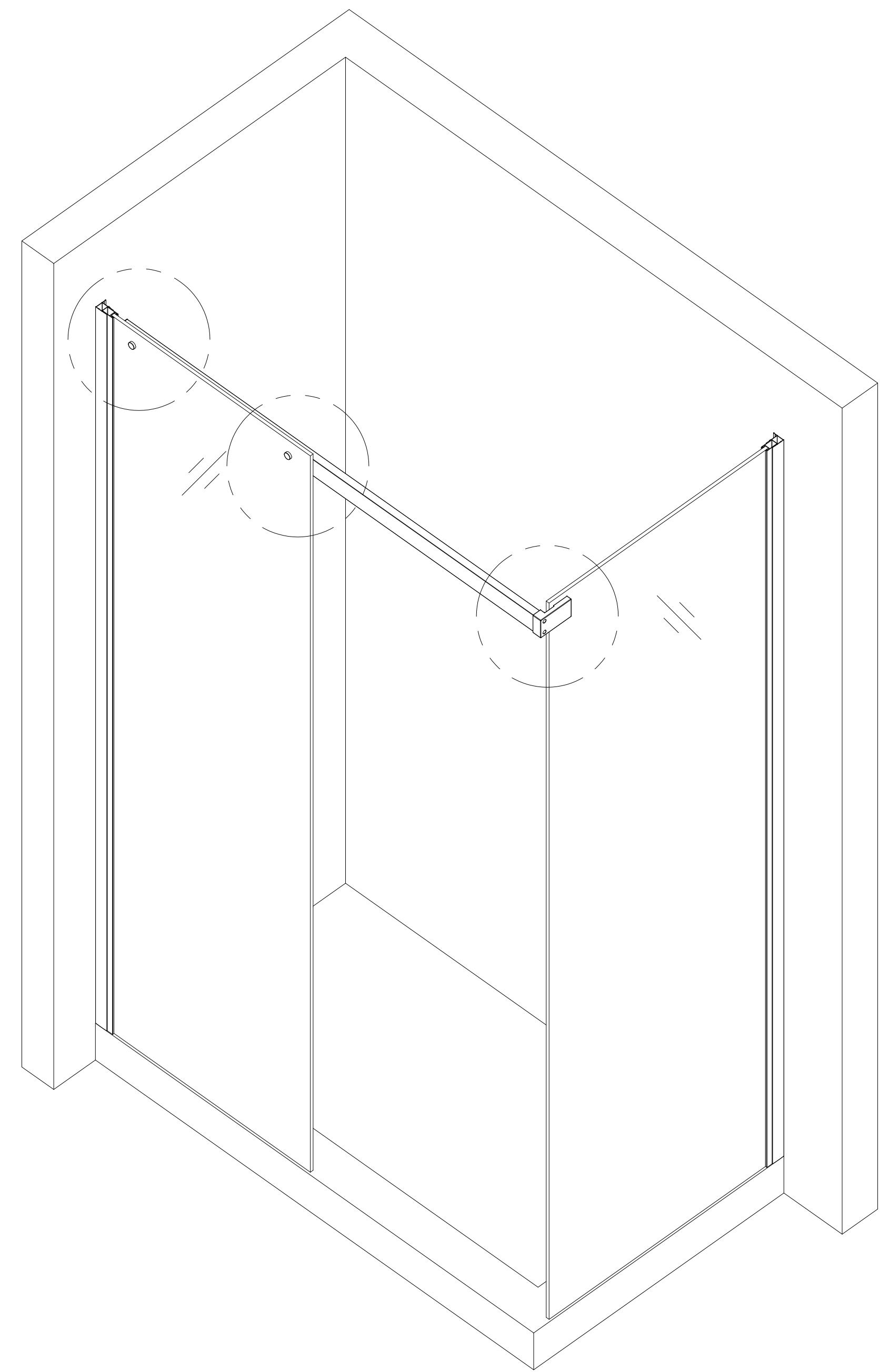
4



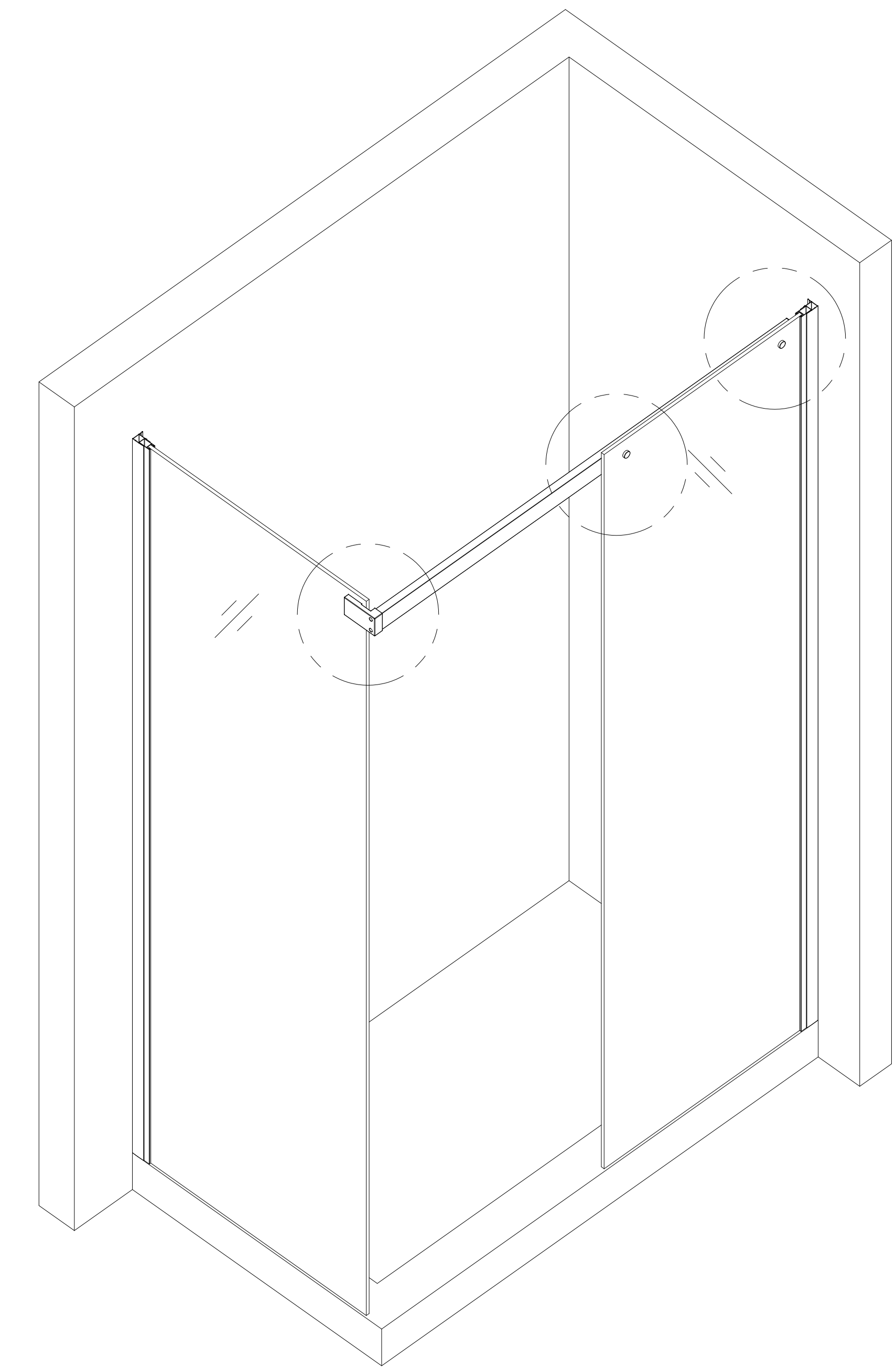
4



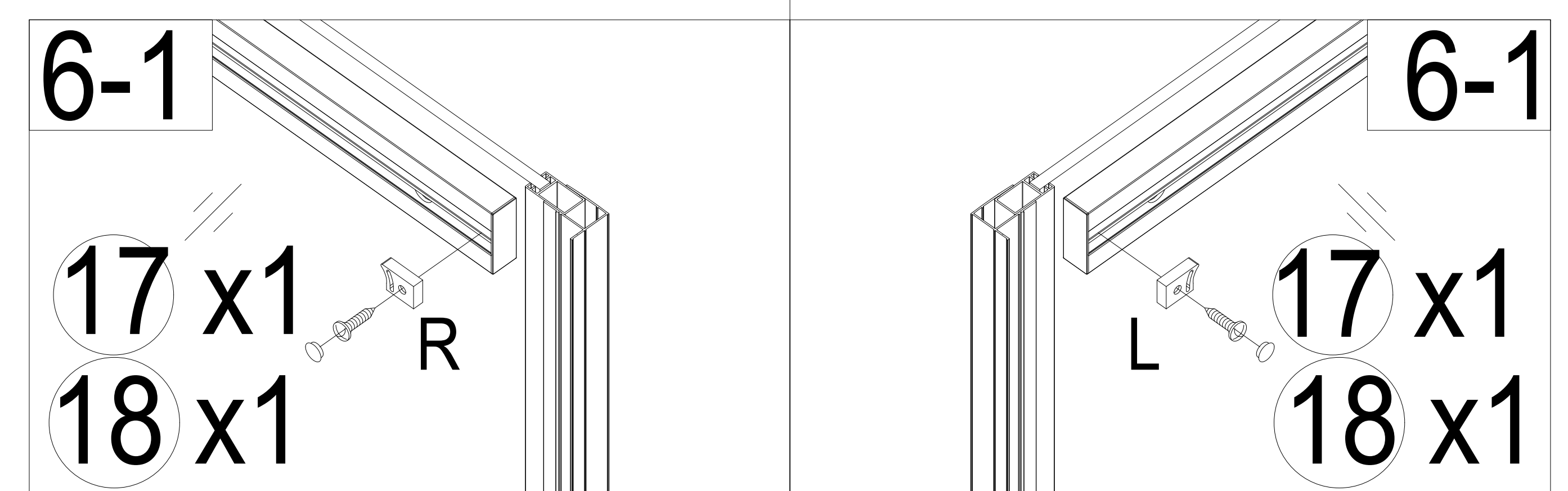
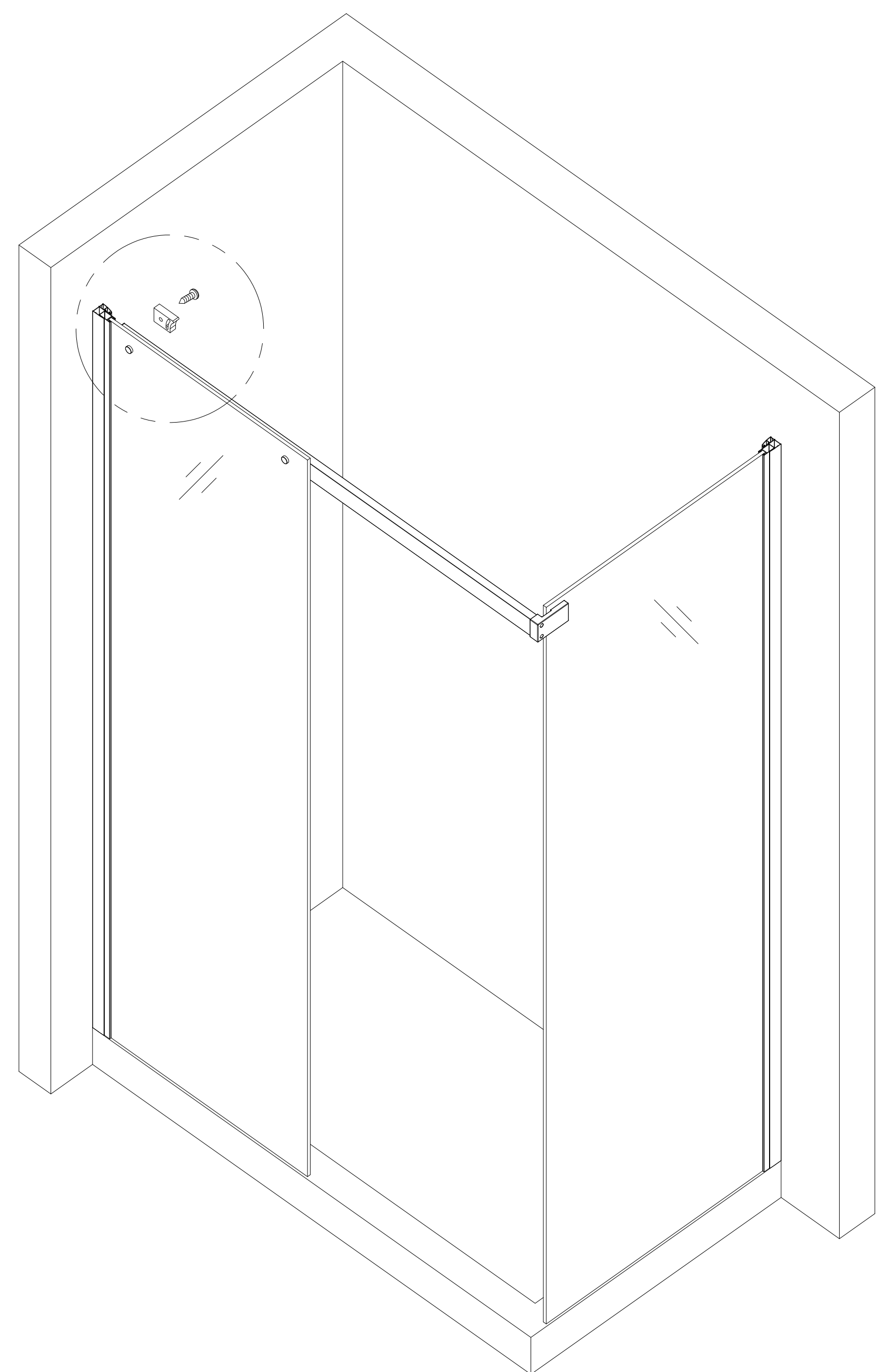
5



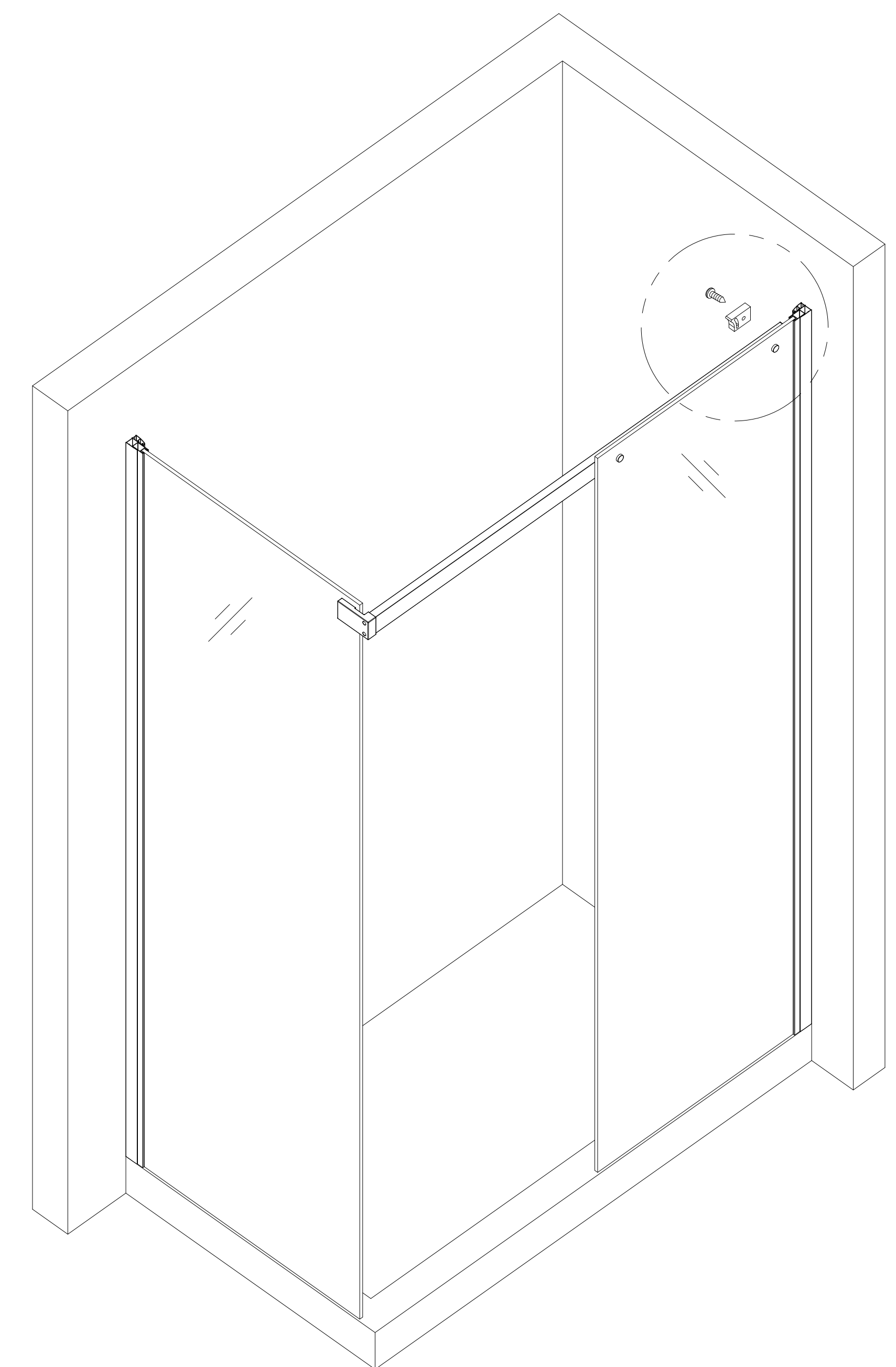
5

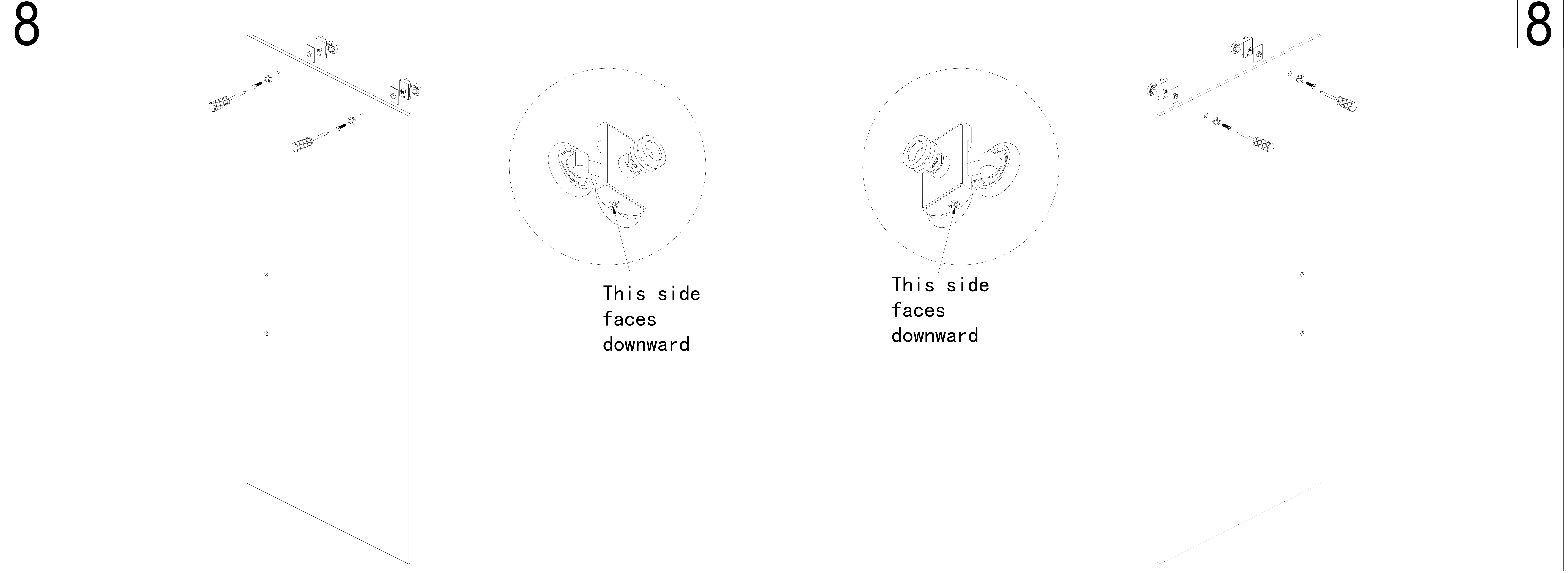
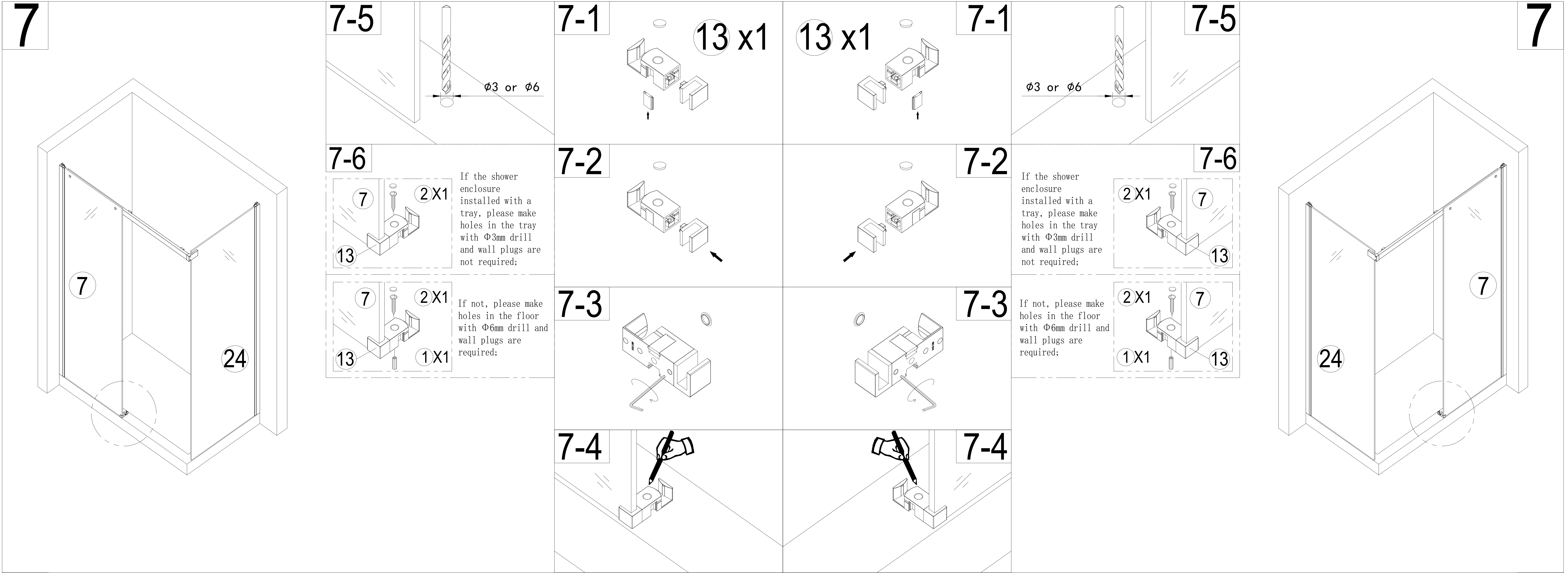


6

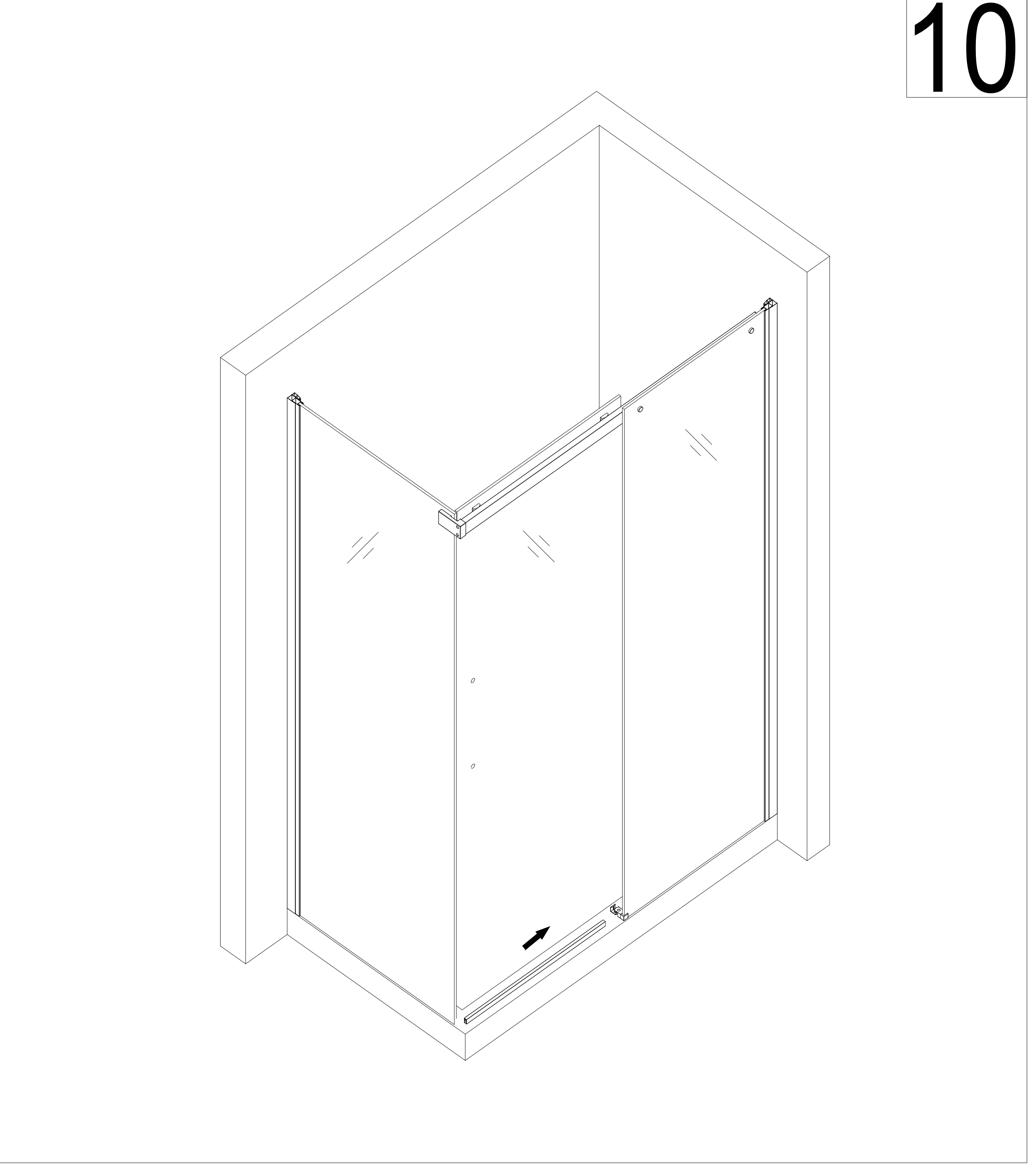
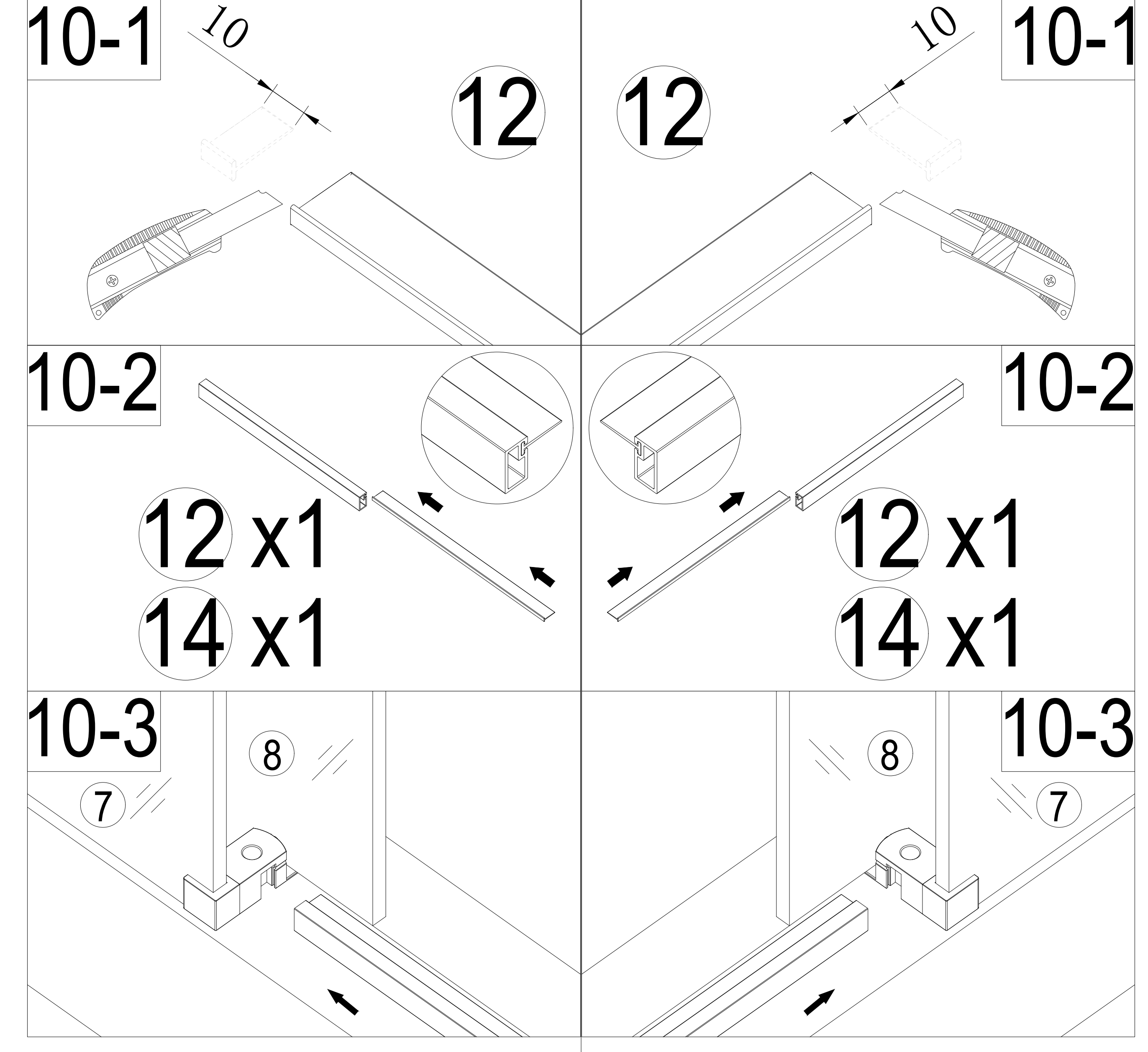
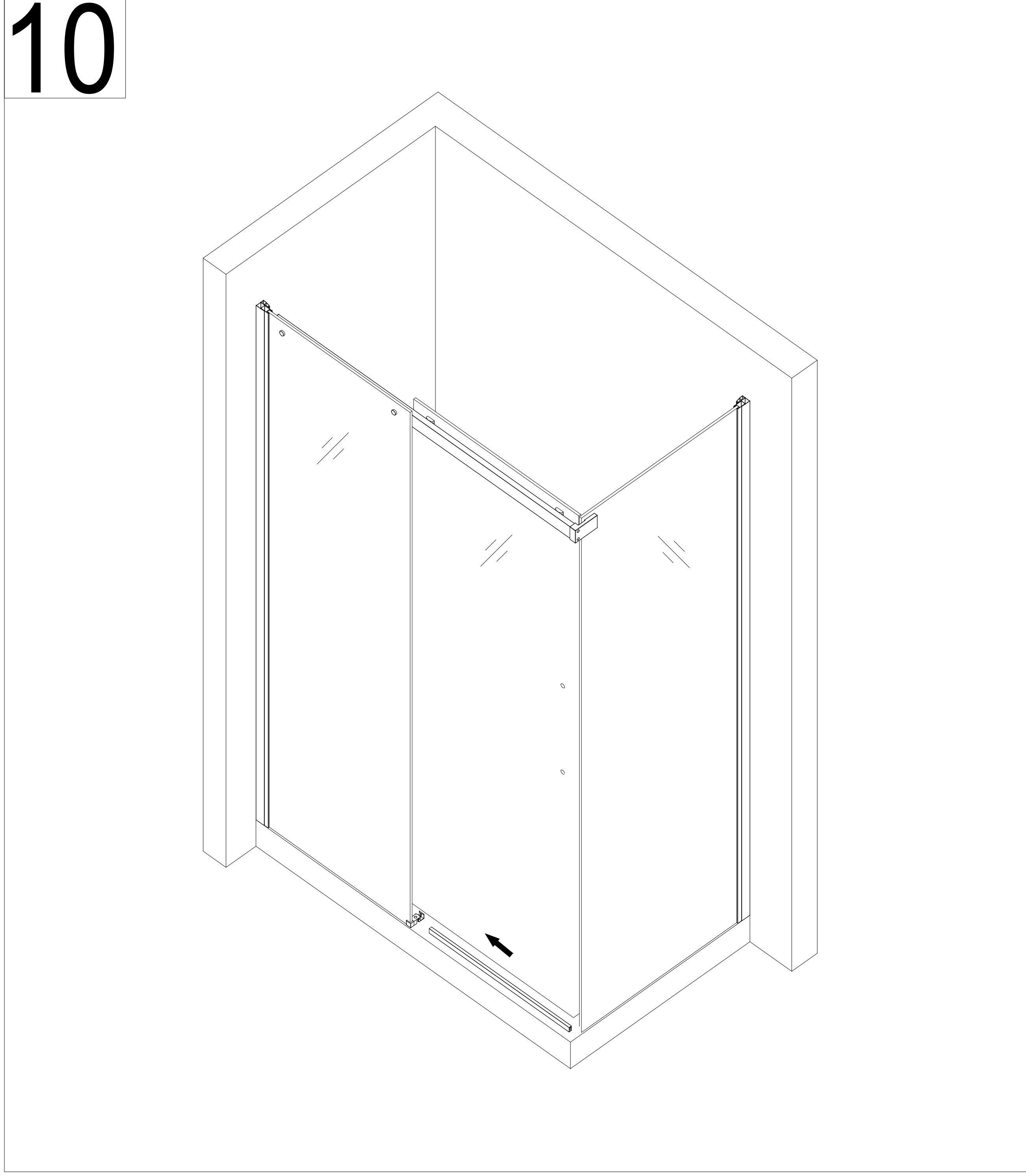
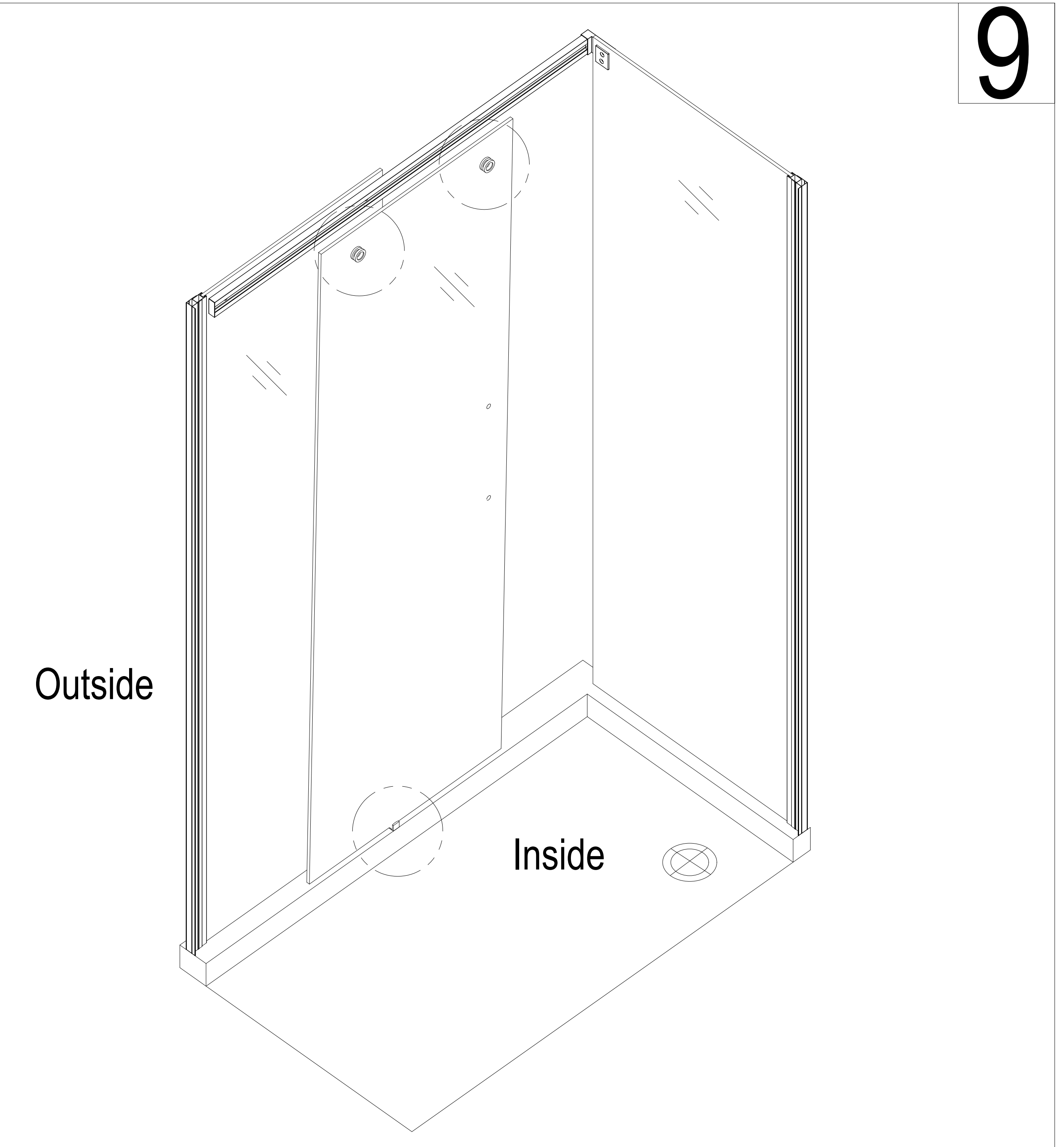
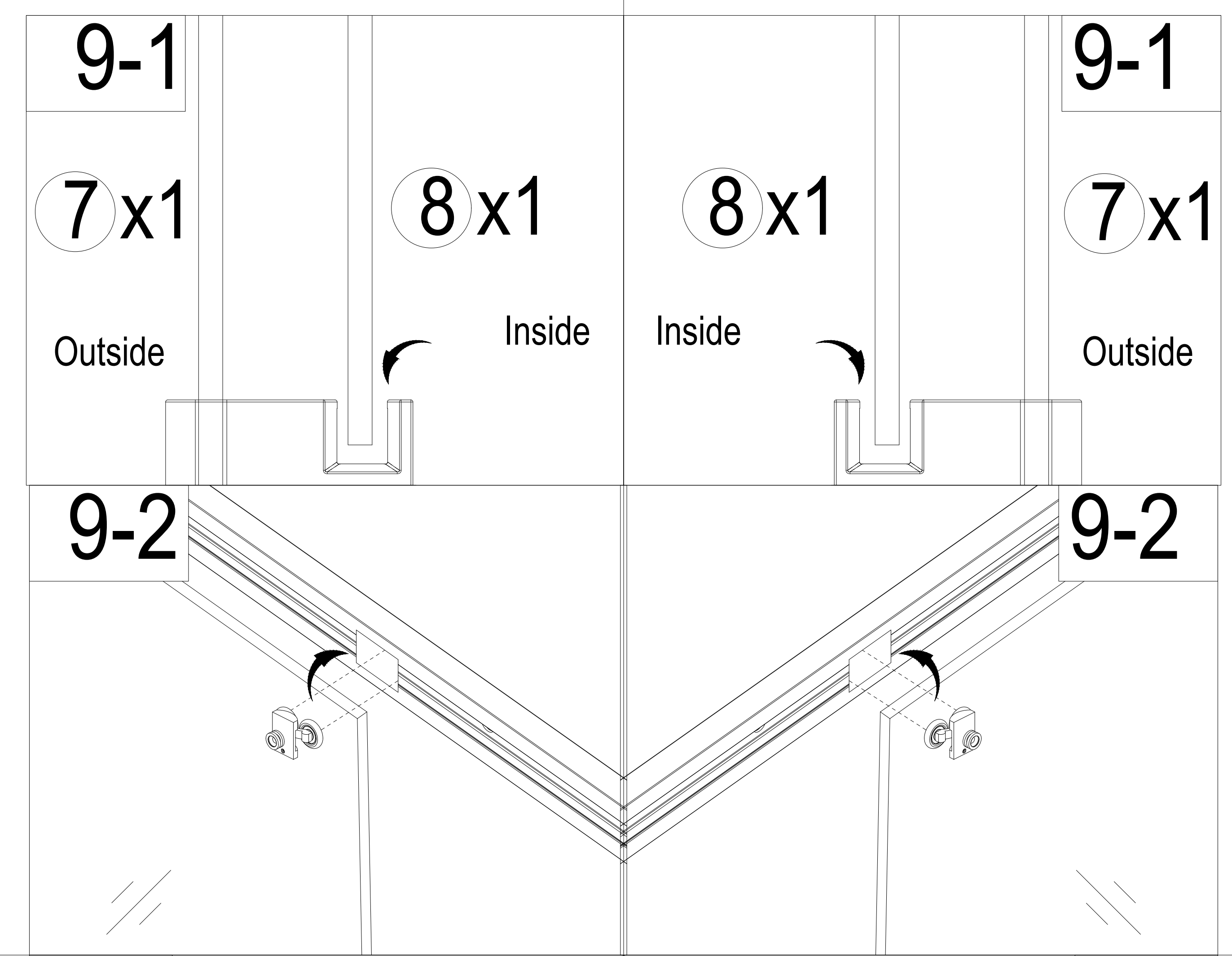
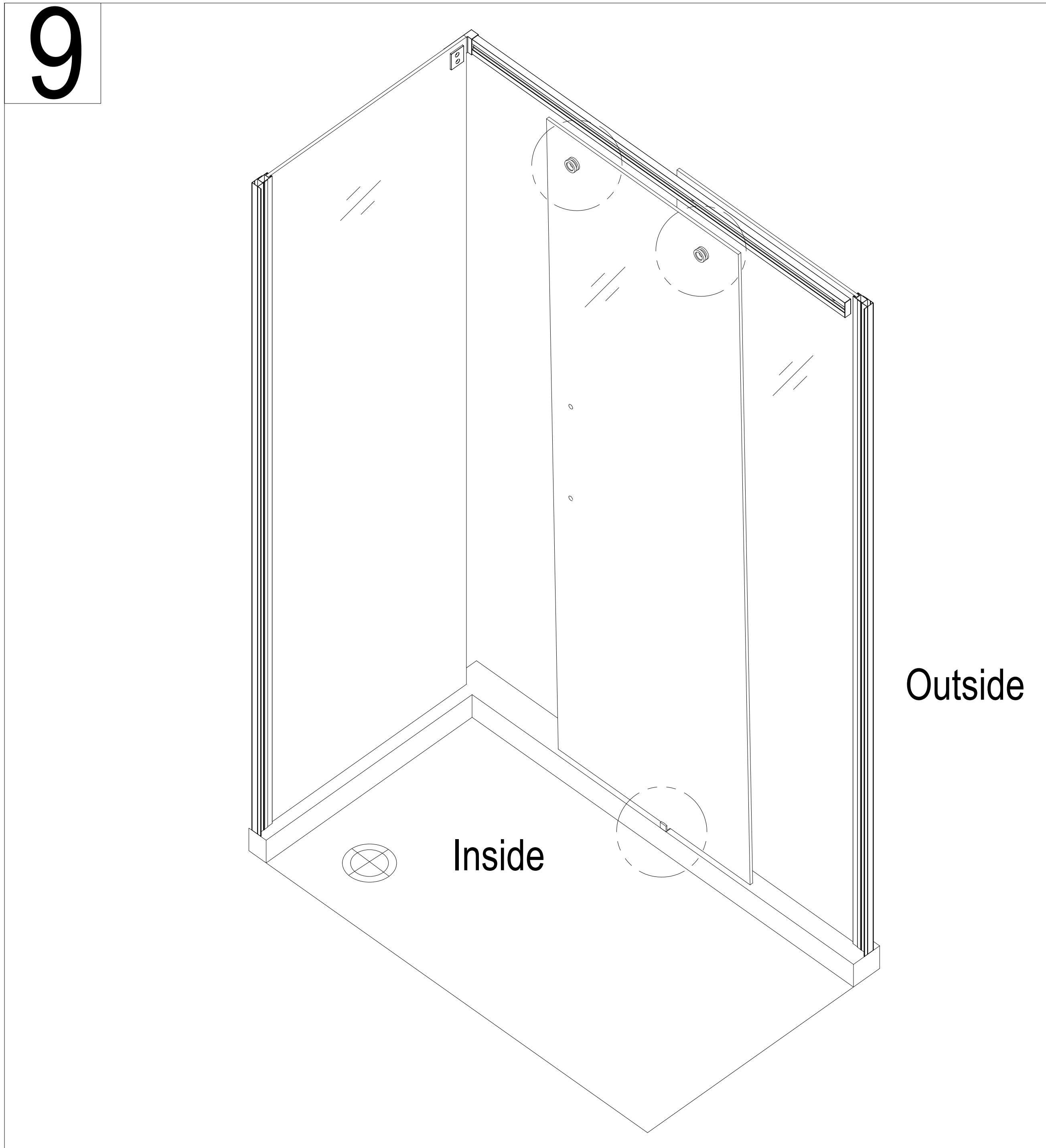


6

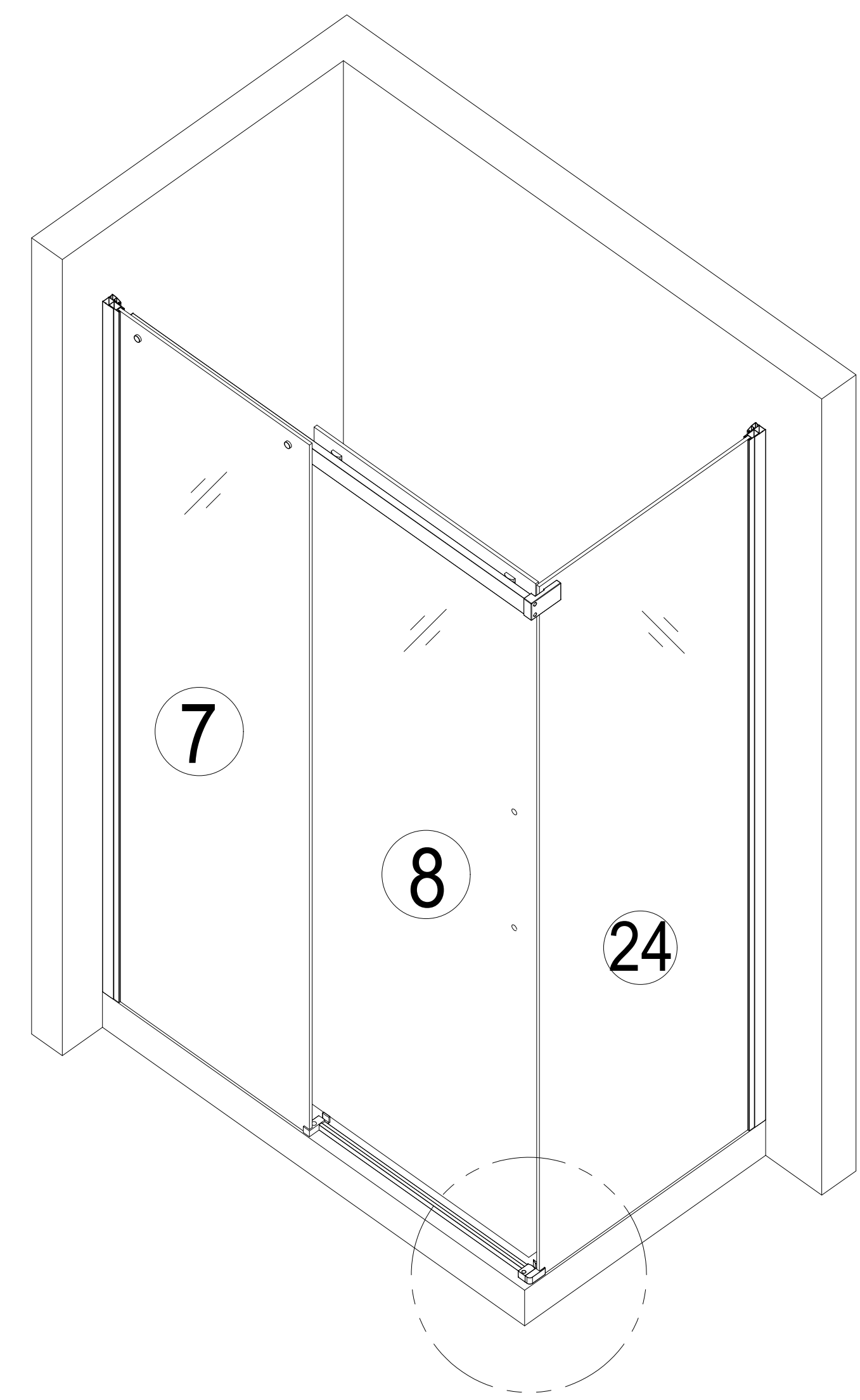




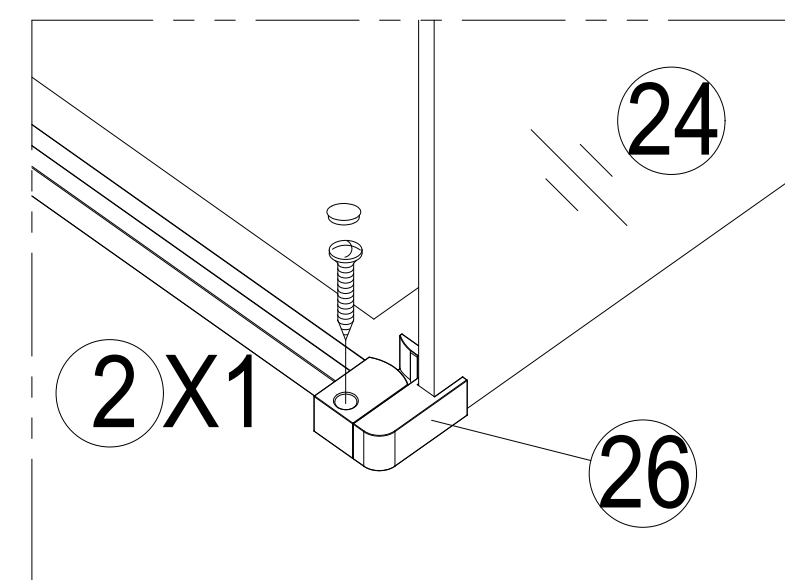




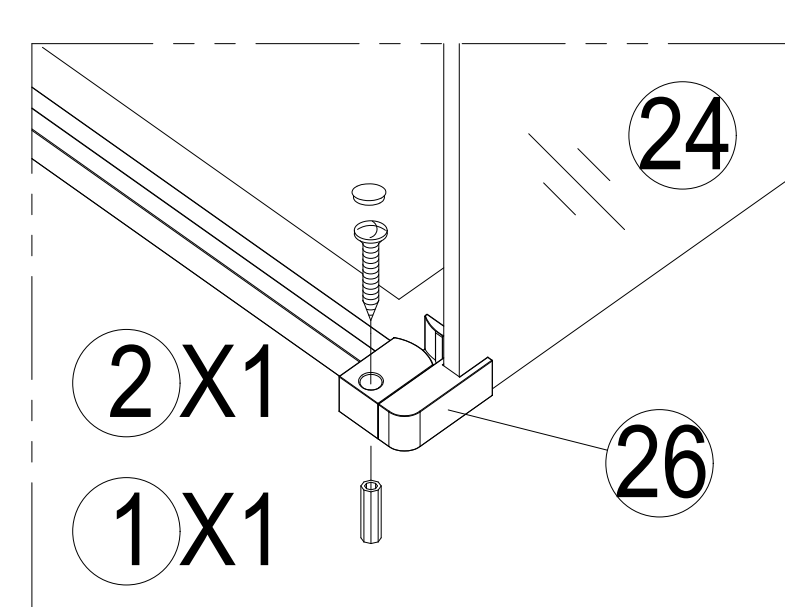
# 11



### 11-4

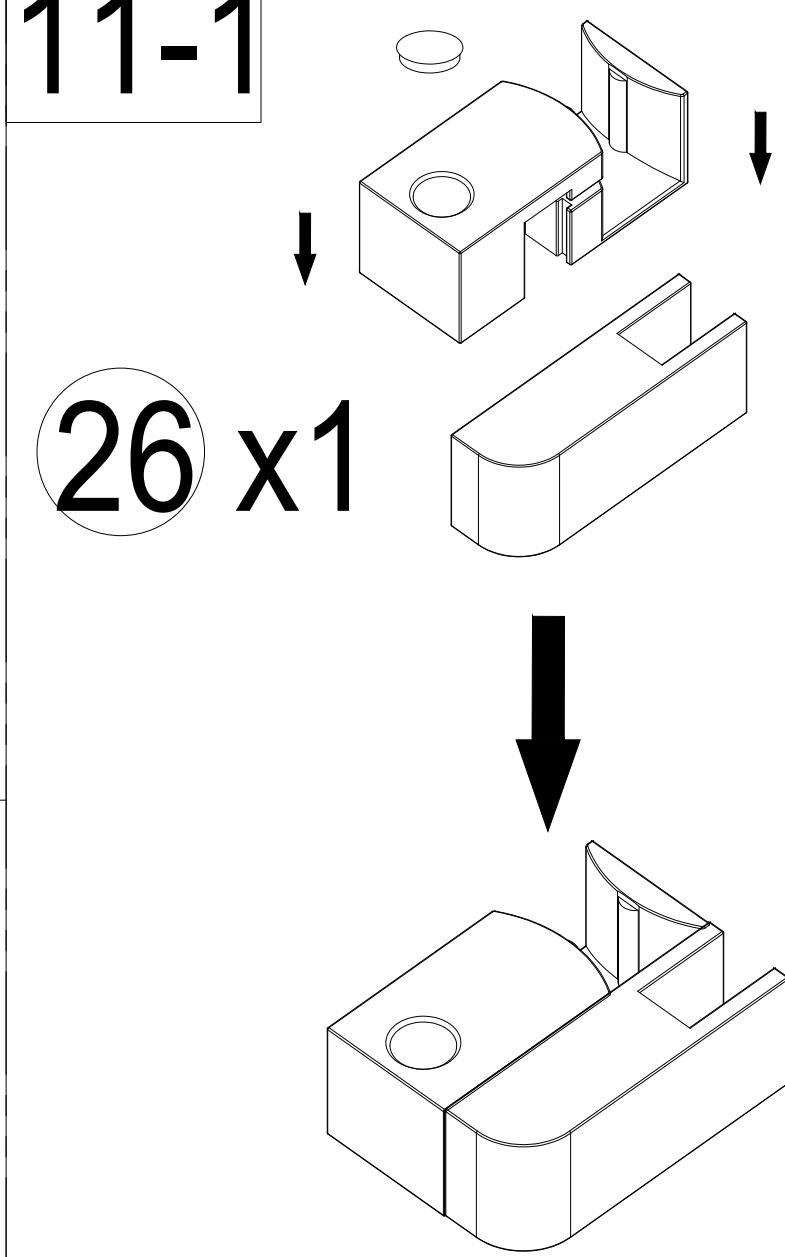


If the shower enclosure installed with a tray, please make holes in the tray with  $\Phi 3\text{mm}$  drill and wall plugs are not required;

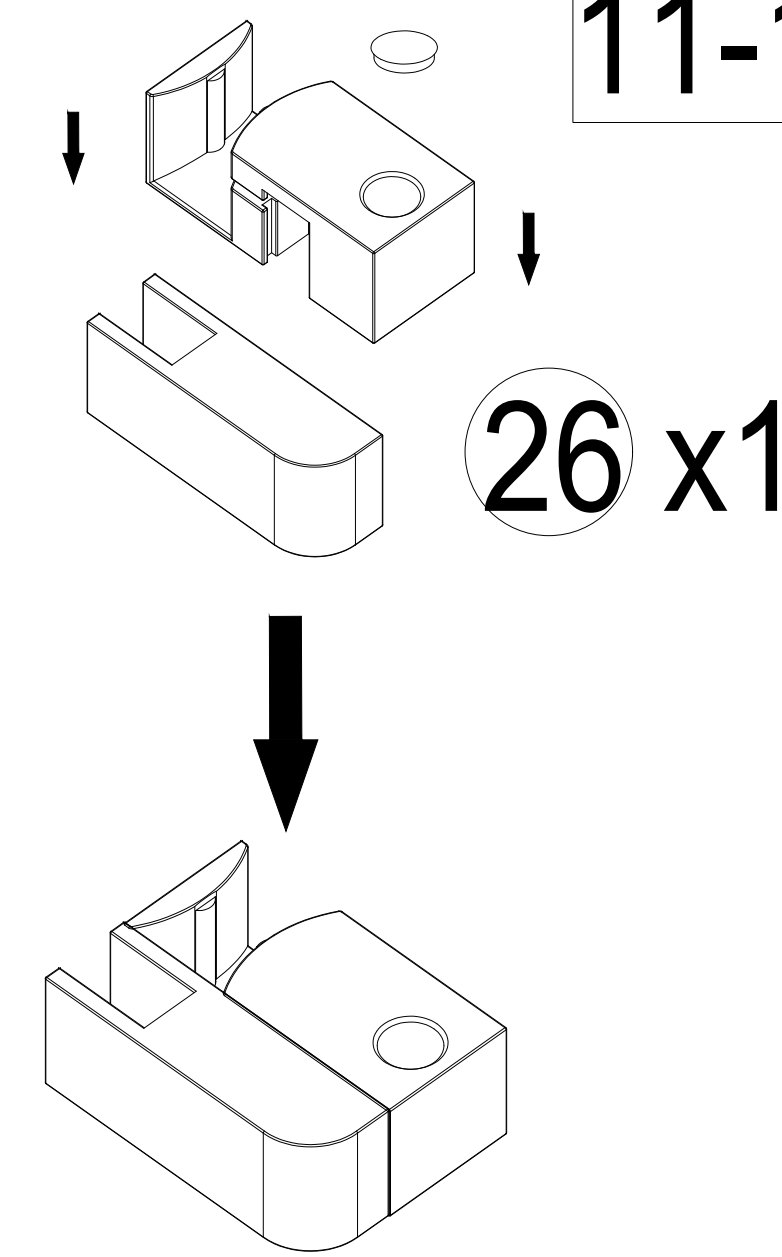


If not, please make holes in the floor with  $\Phi 6\text{mm}$  drill and wall plugs are required;

### 11-1



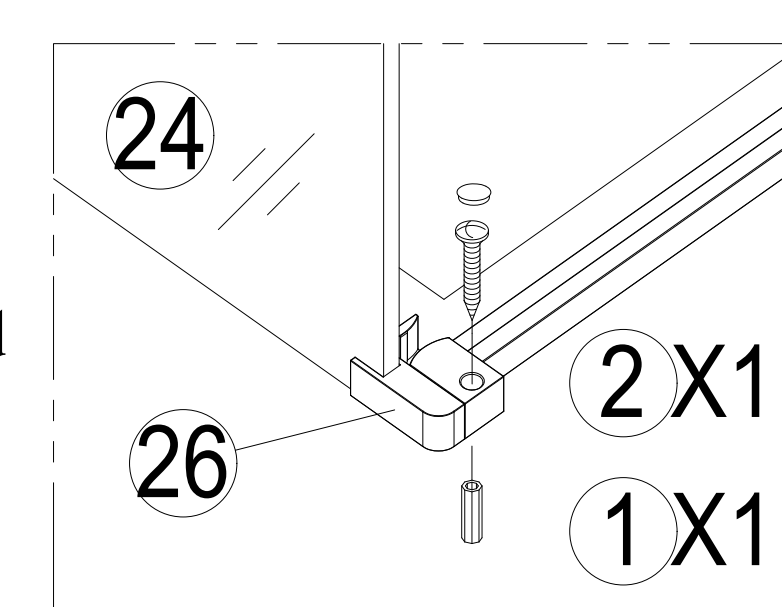
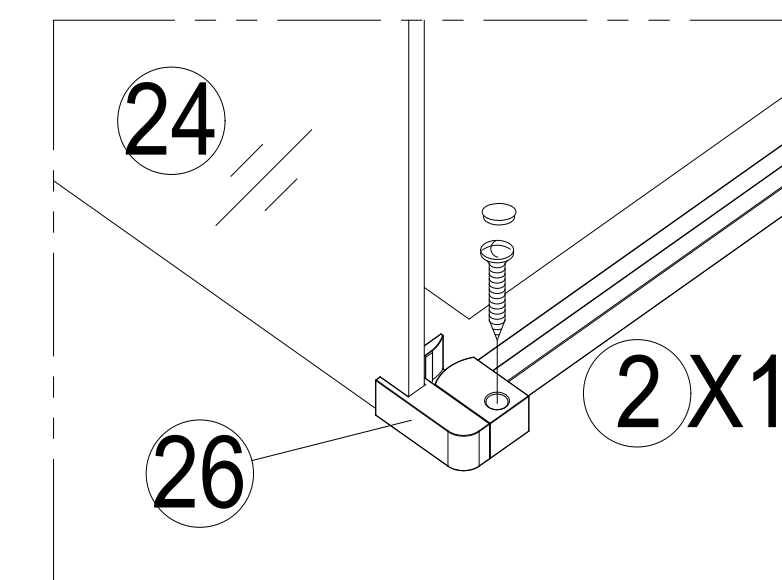
### 11-1



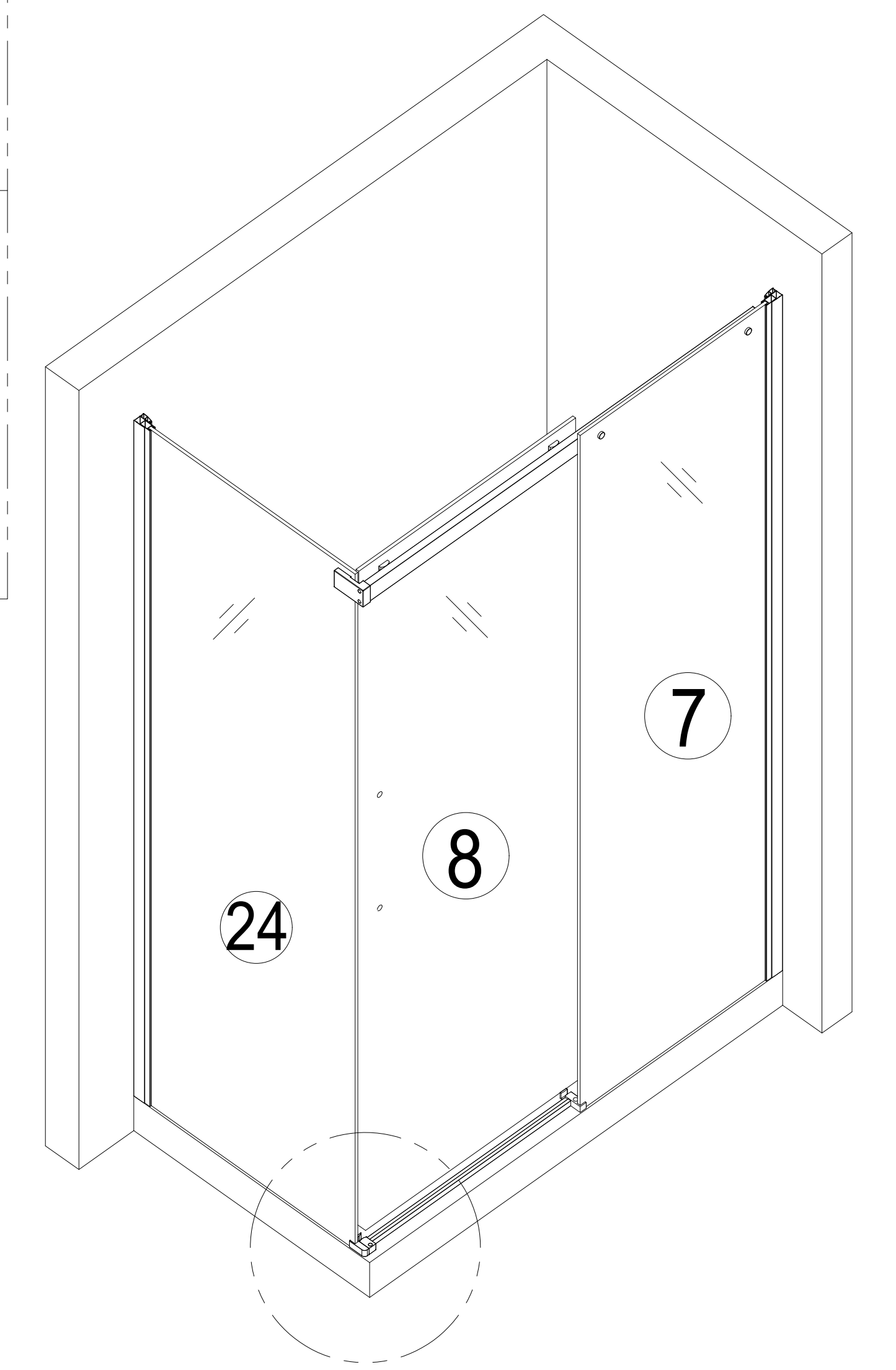
If the shower enclosure installed with a tray, please make holes in the tray with  $\Phi 3\text{mm}$  drill and wall plugs are not required;

If not, please make holes in the floor with  $\Phi 6\text{mm}$  drill and wall plugs are required;

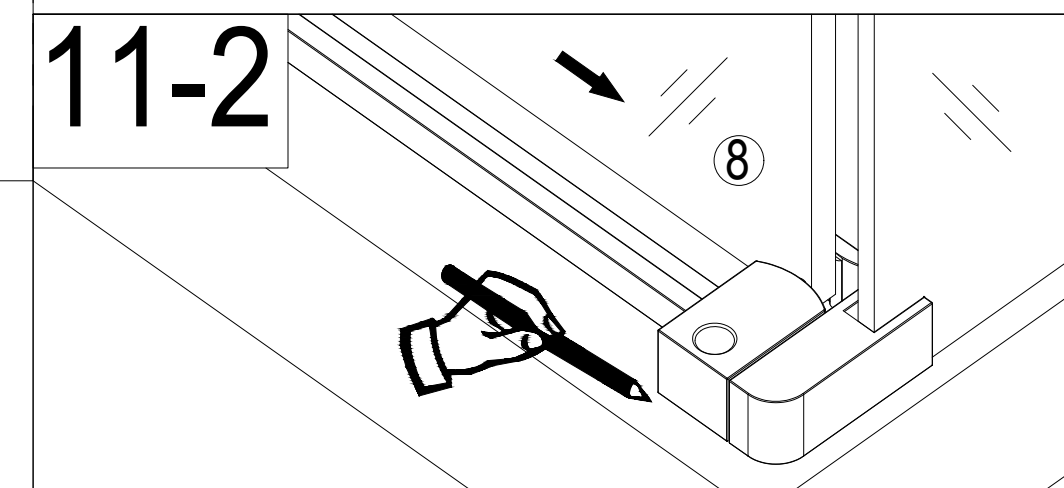
### 10-4



# 11

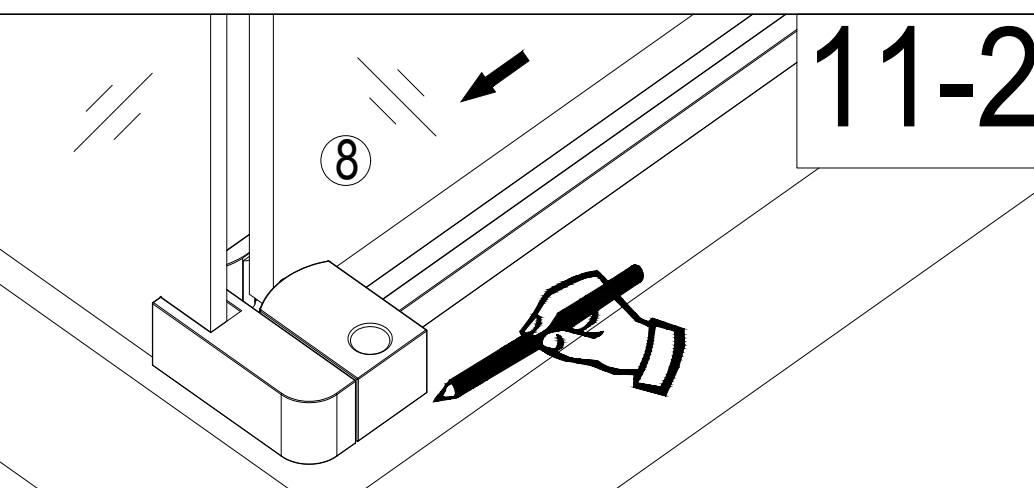


### 11-2



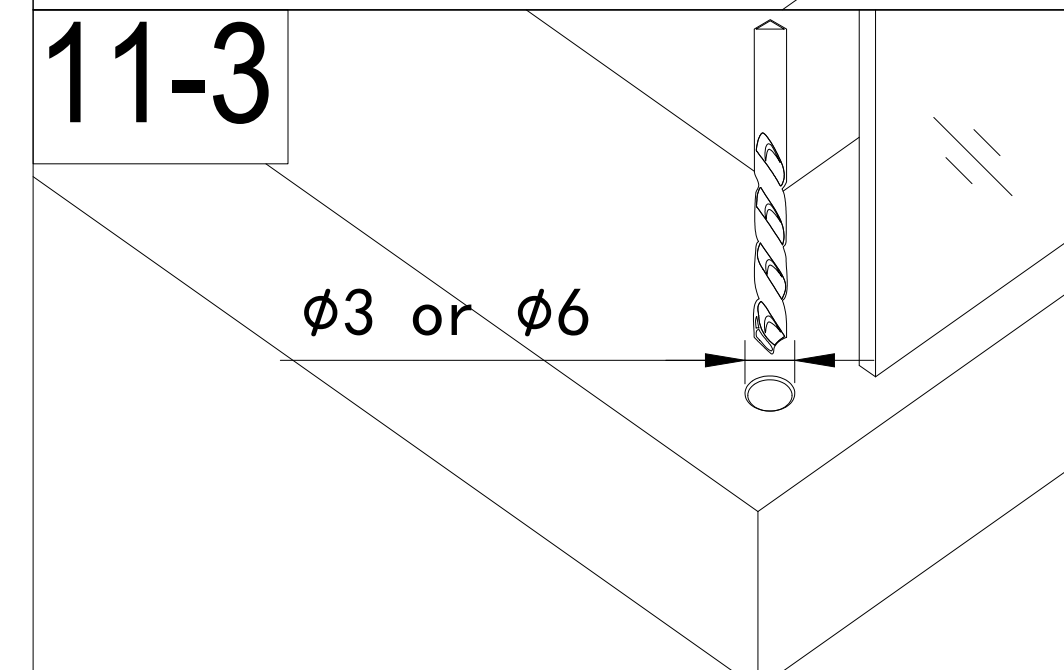
Door glass slides in the middle of the channel

### 11-2

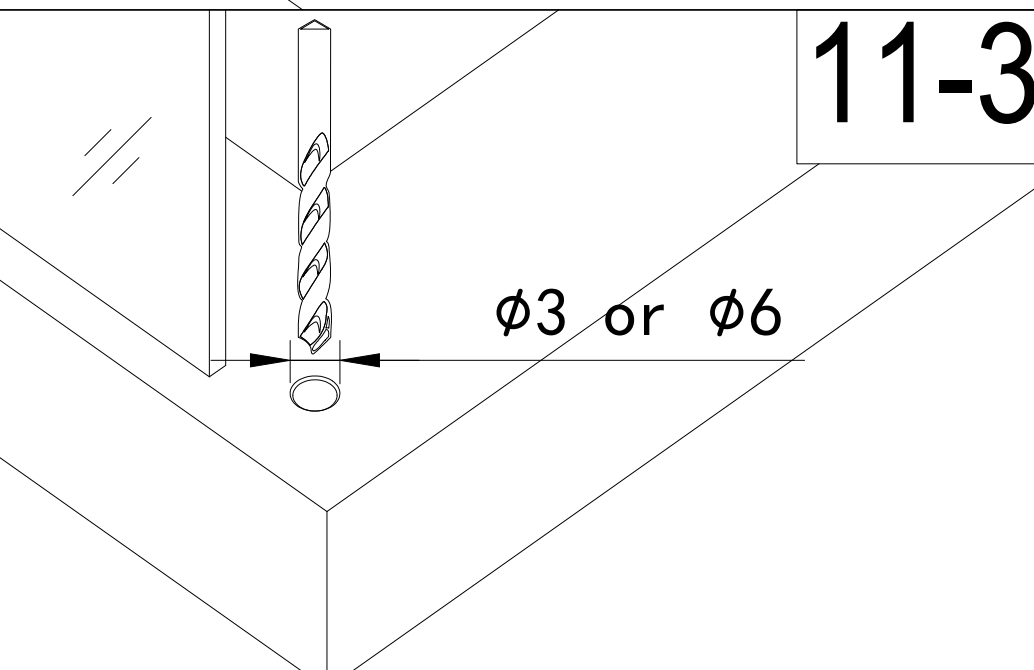


Door glass slides in the middle of the channel

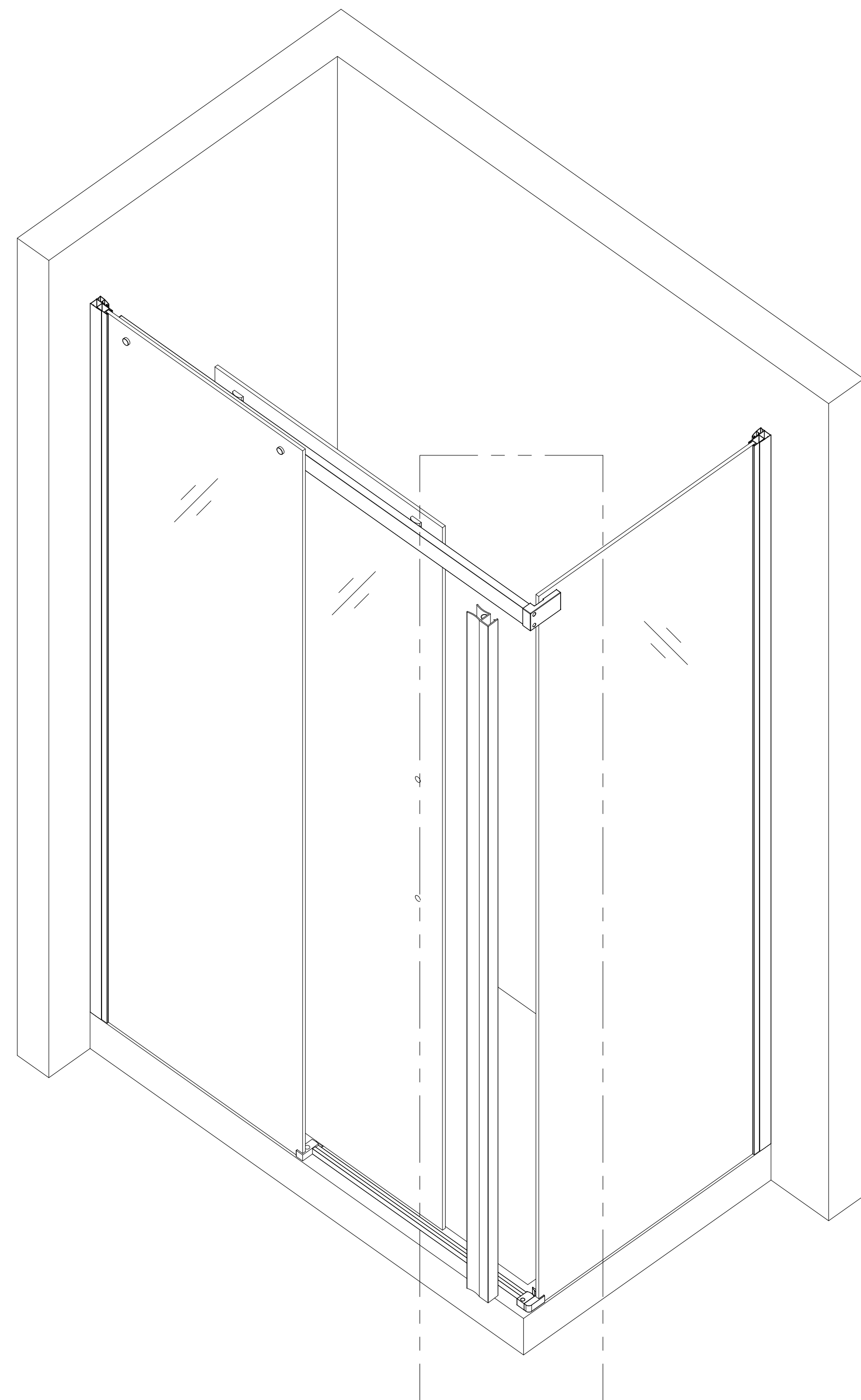
### 11-3



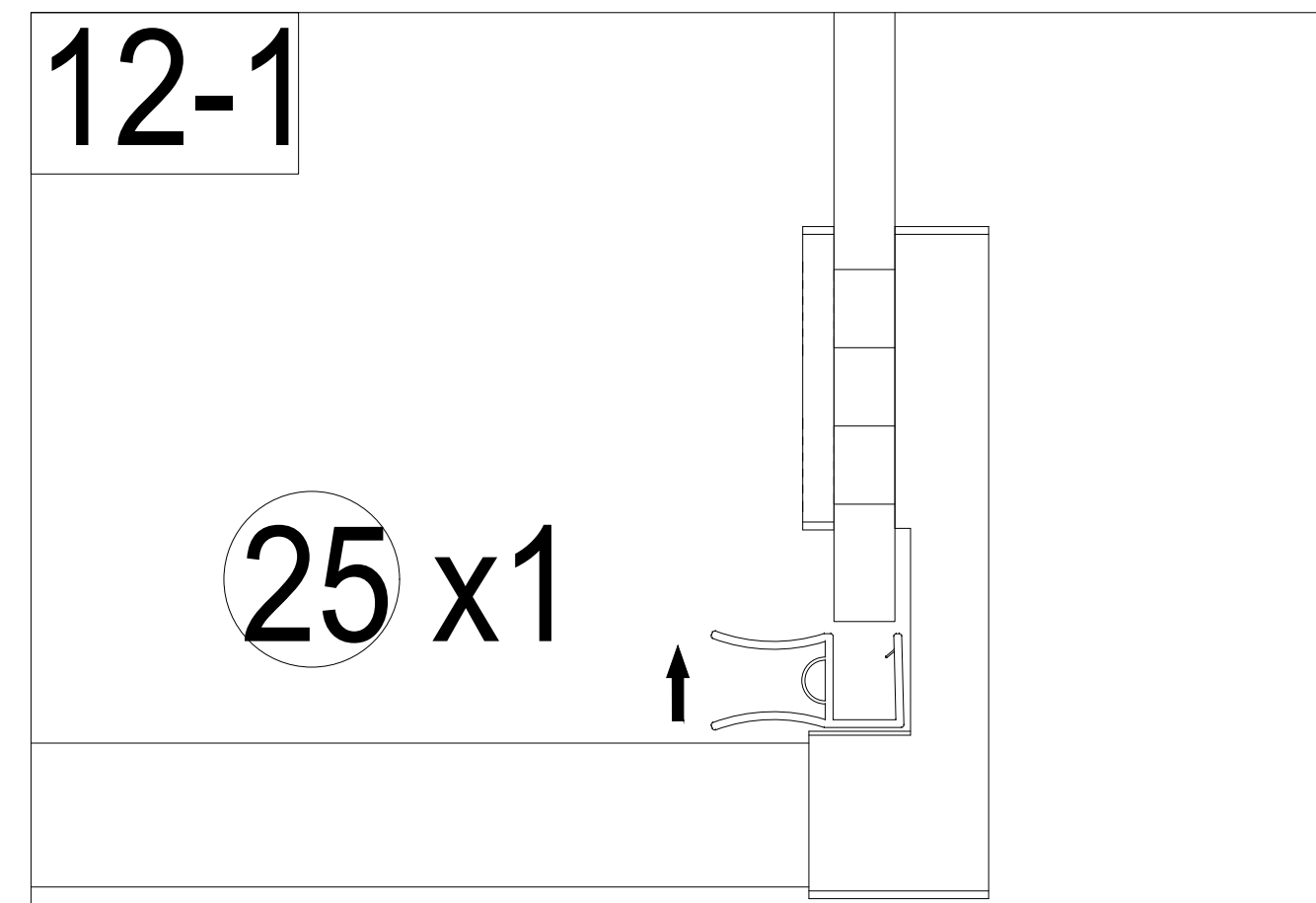
### 11-3



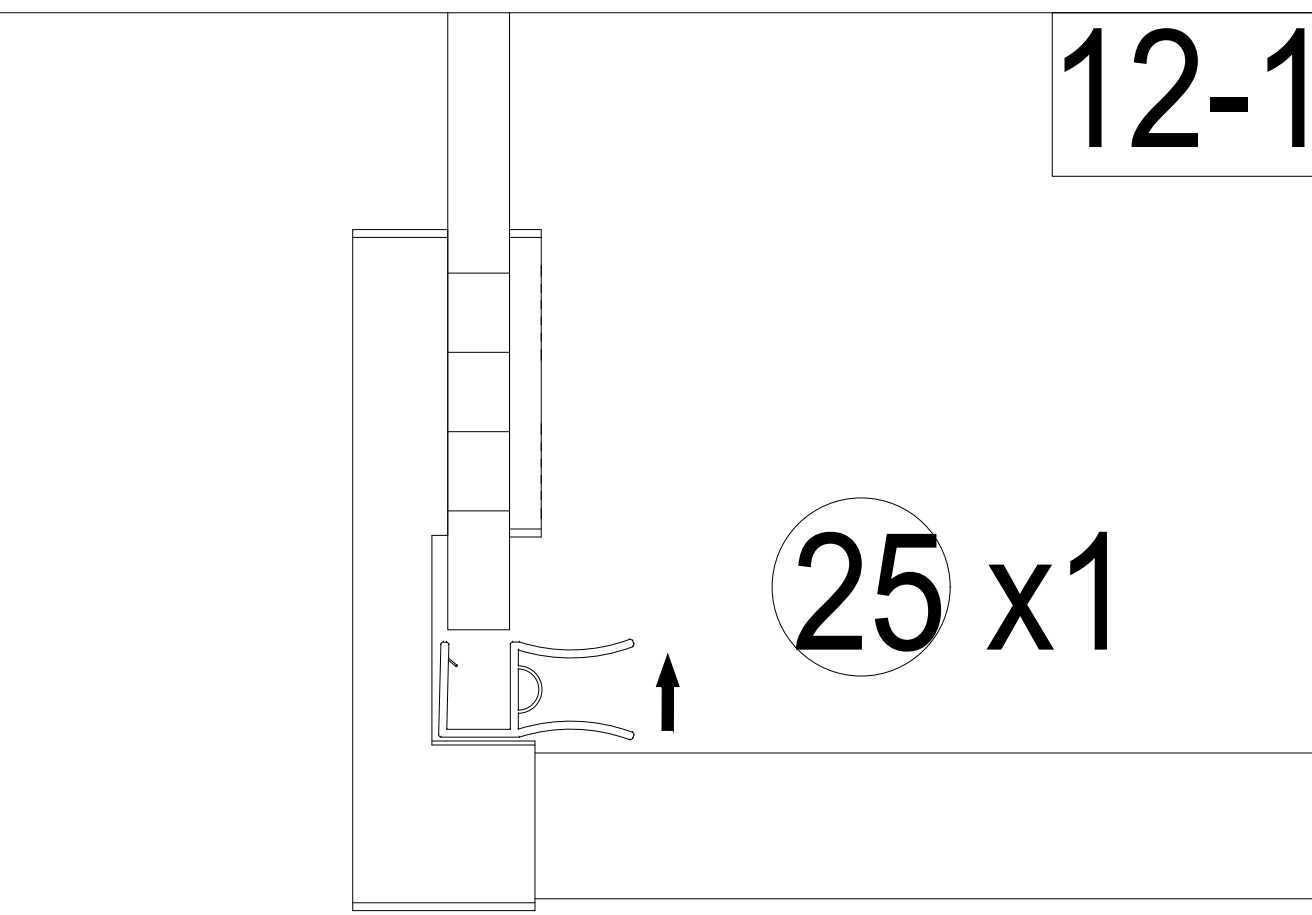
# 12



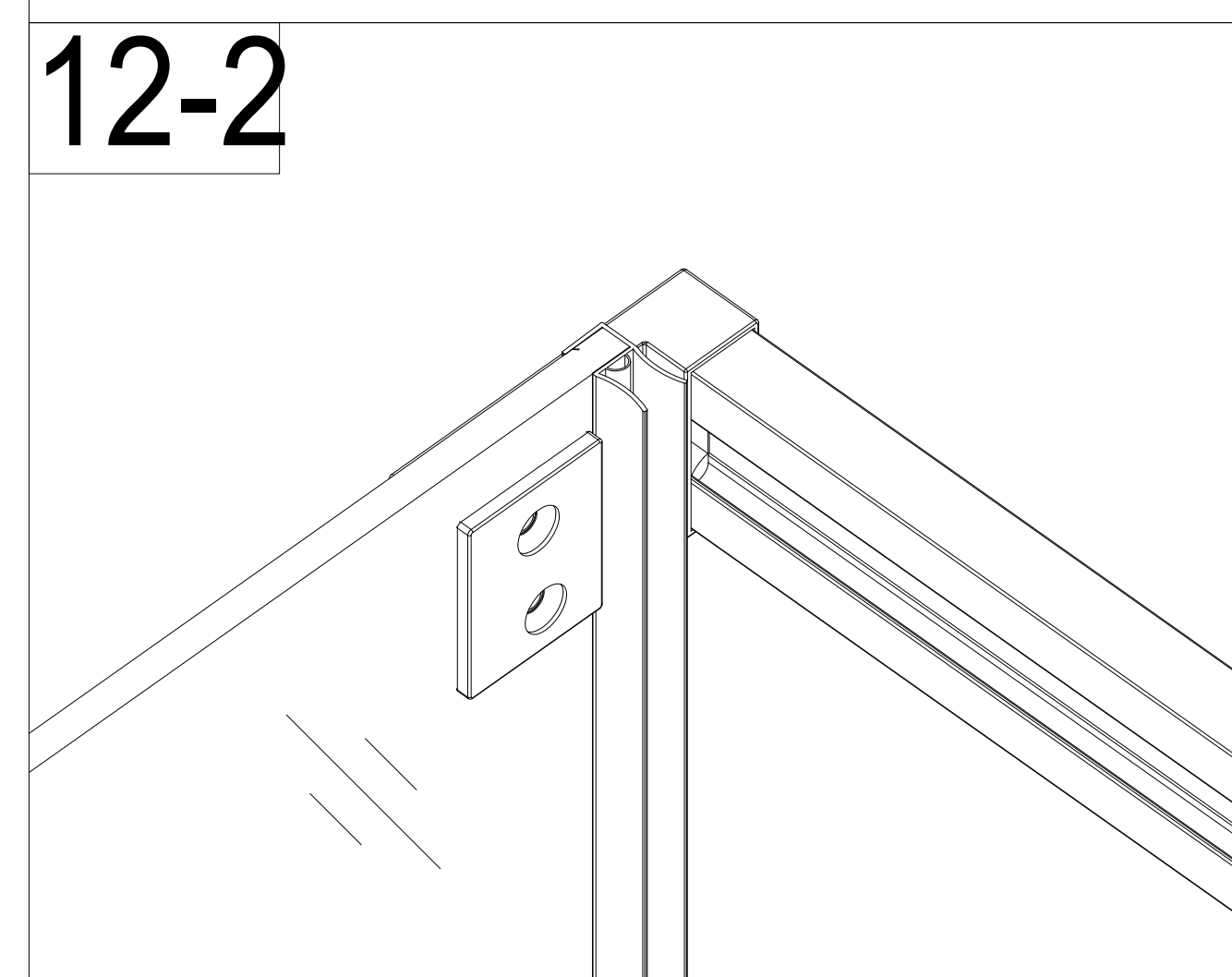
### 12-1



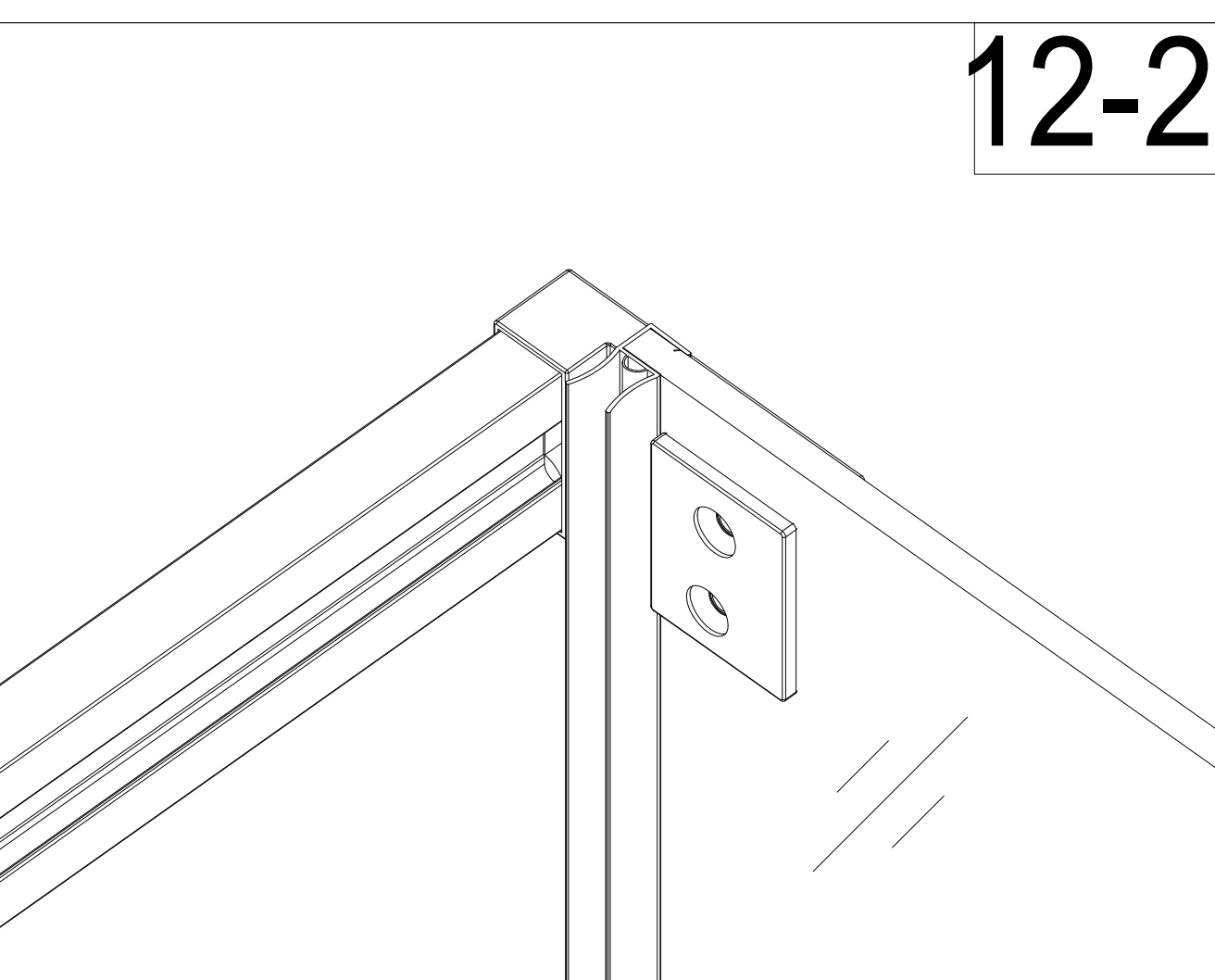
### 12-1



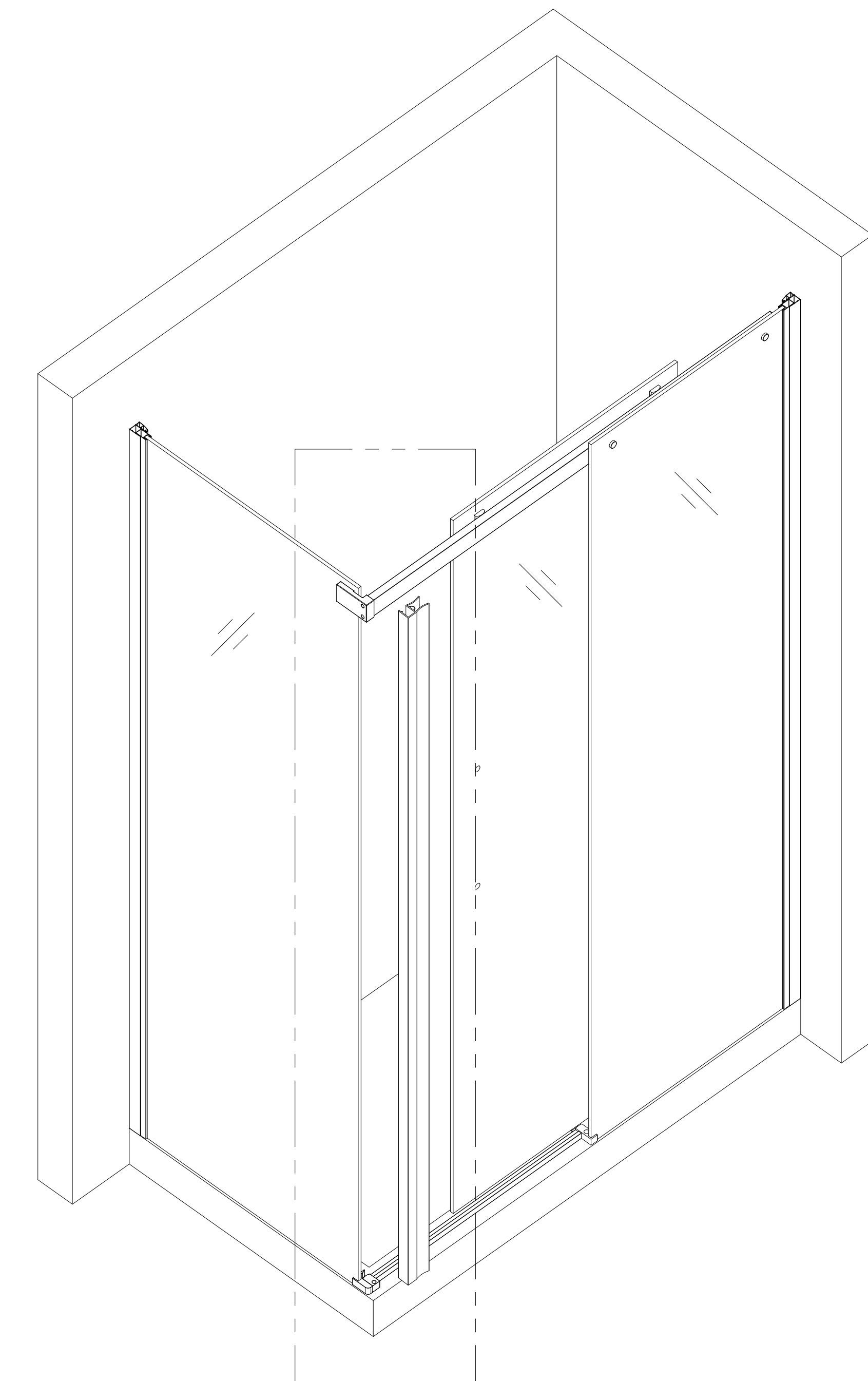
### 12-2



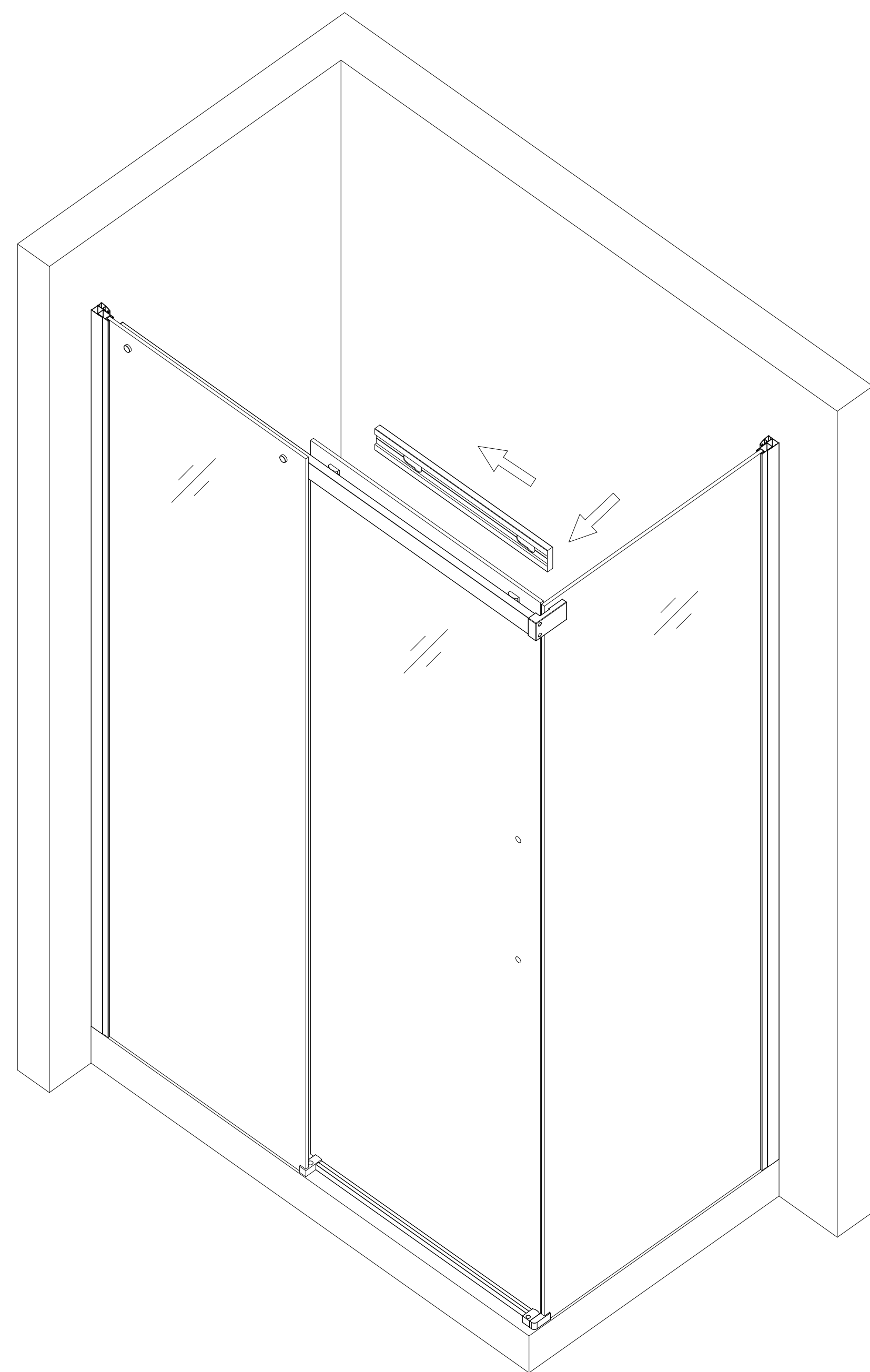
### 12-2



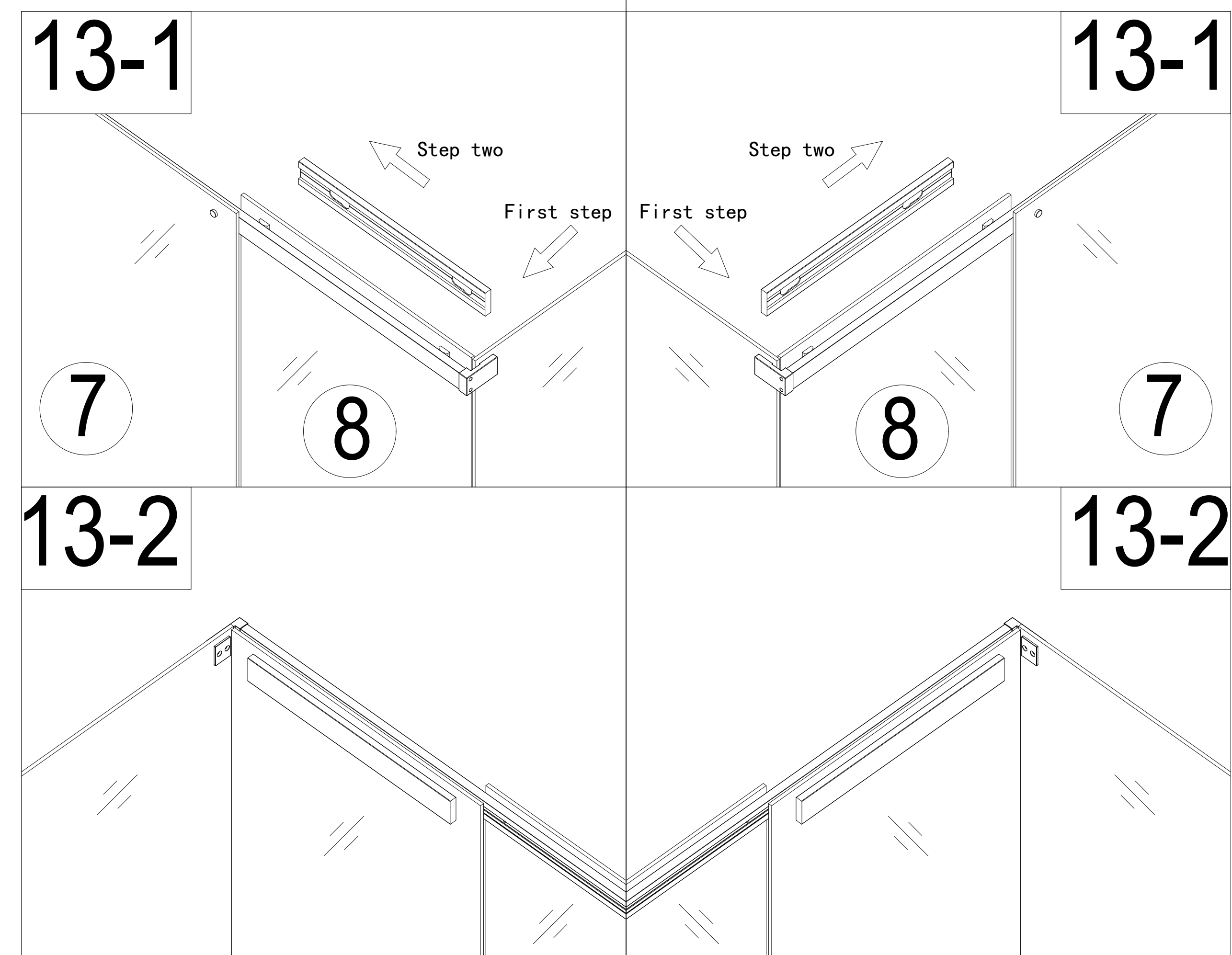
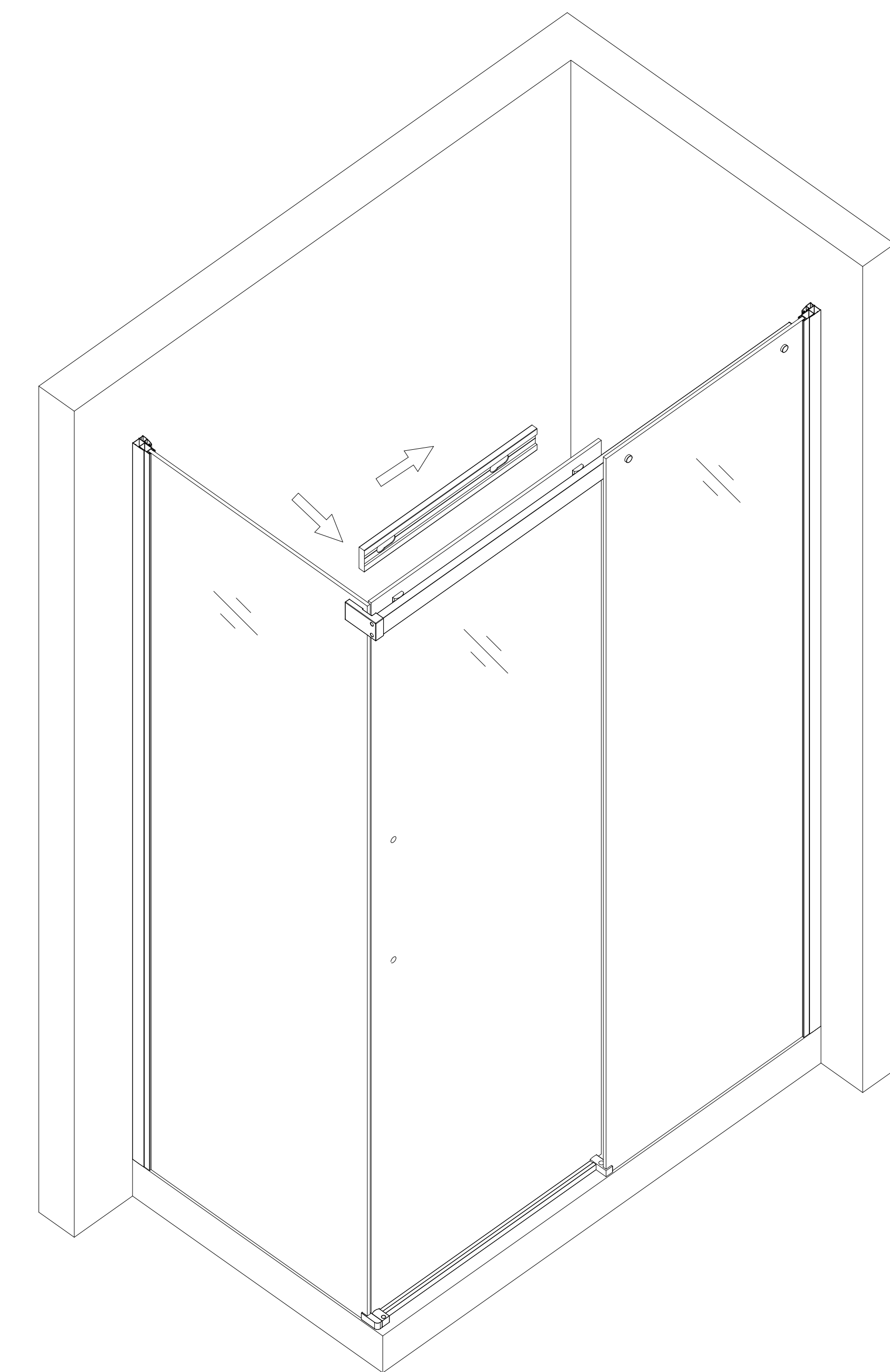
# 12



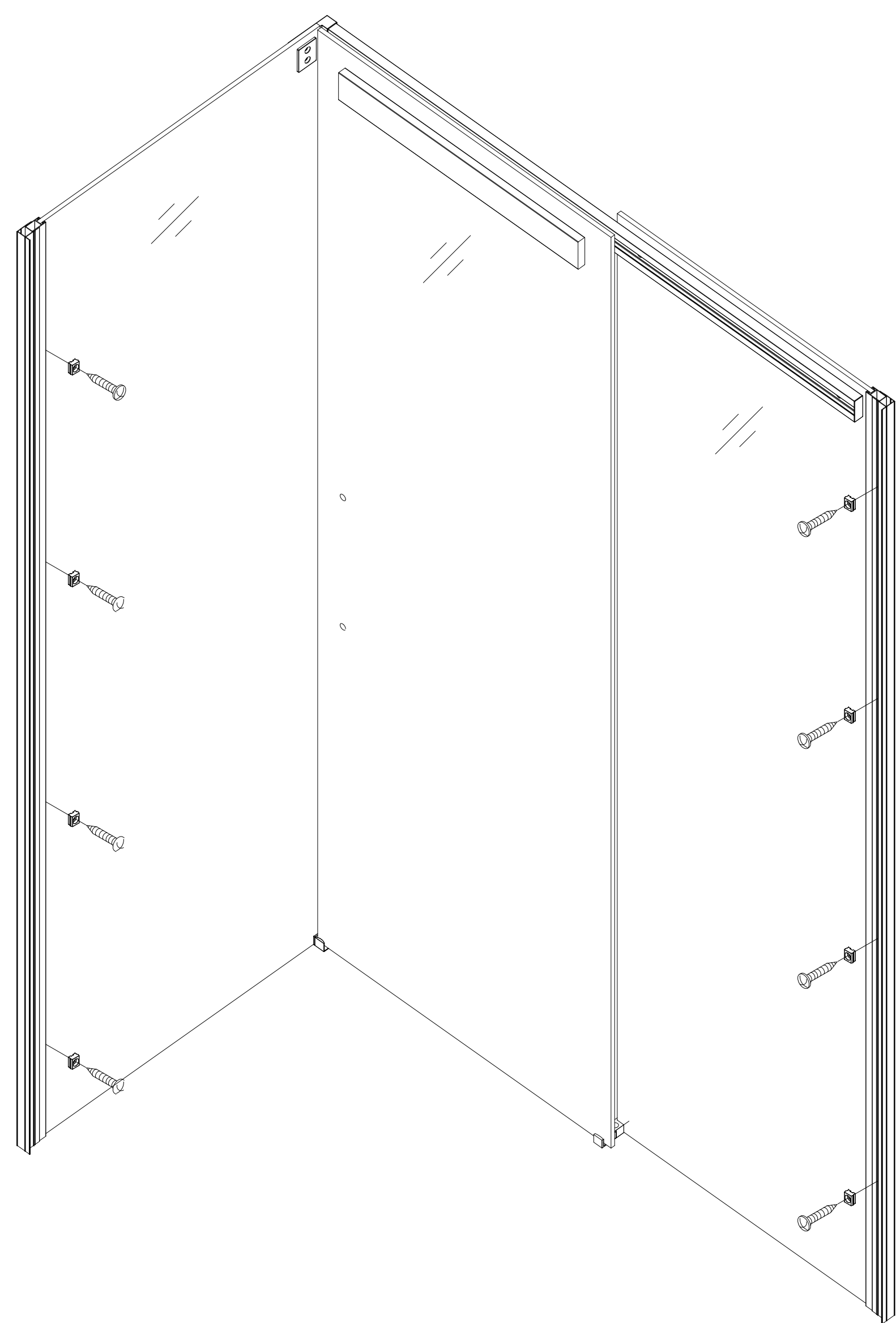
13



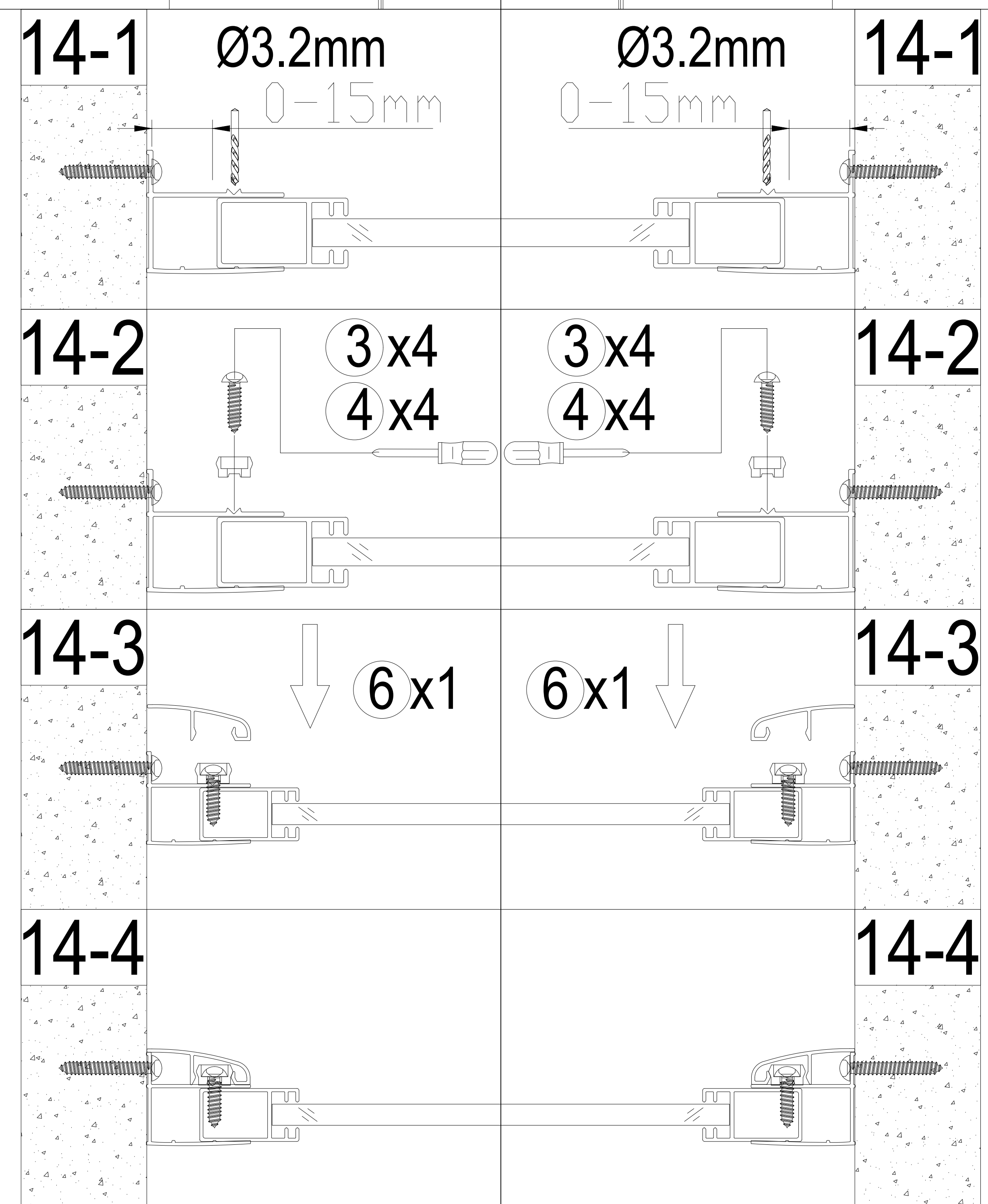
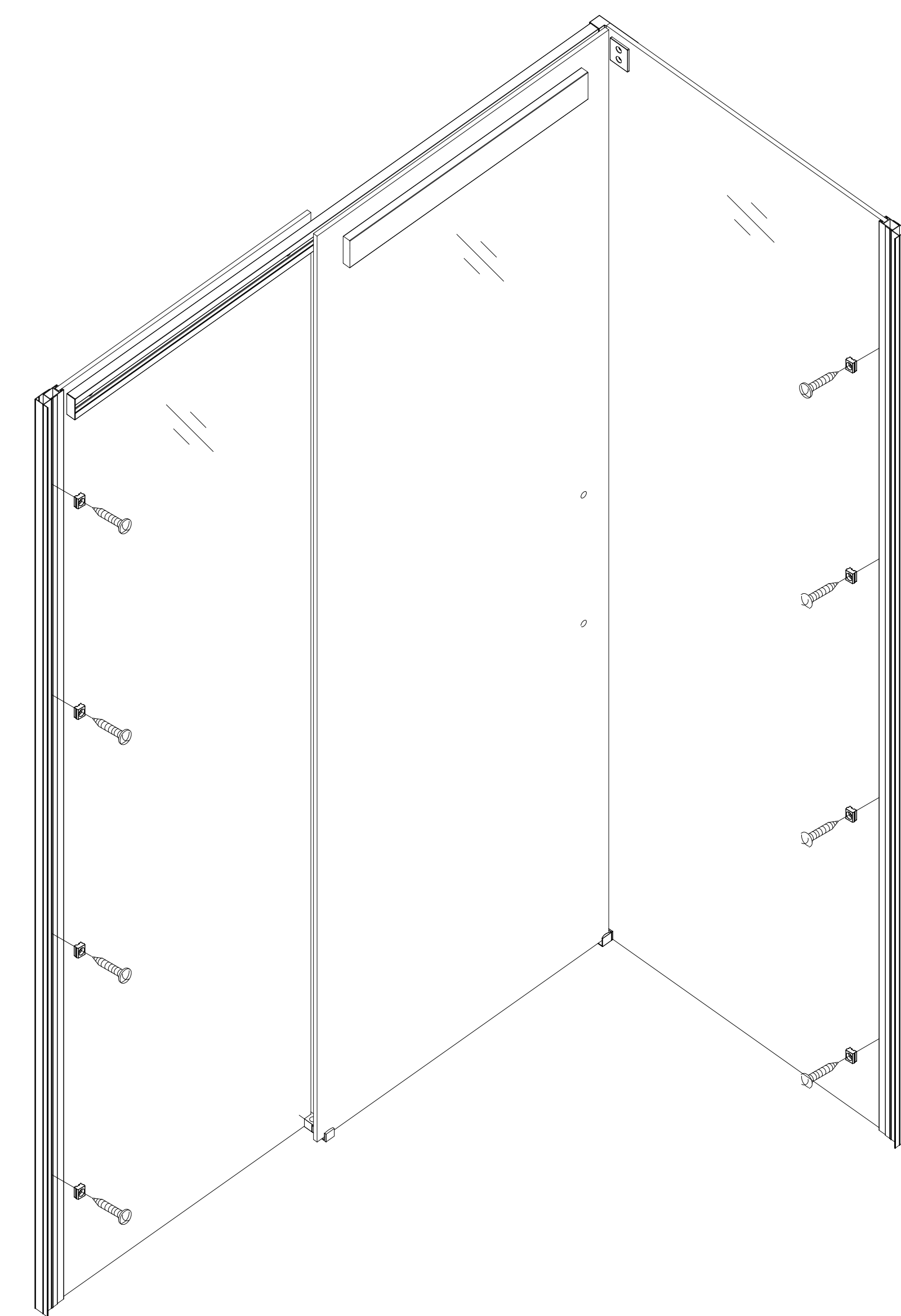
13



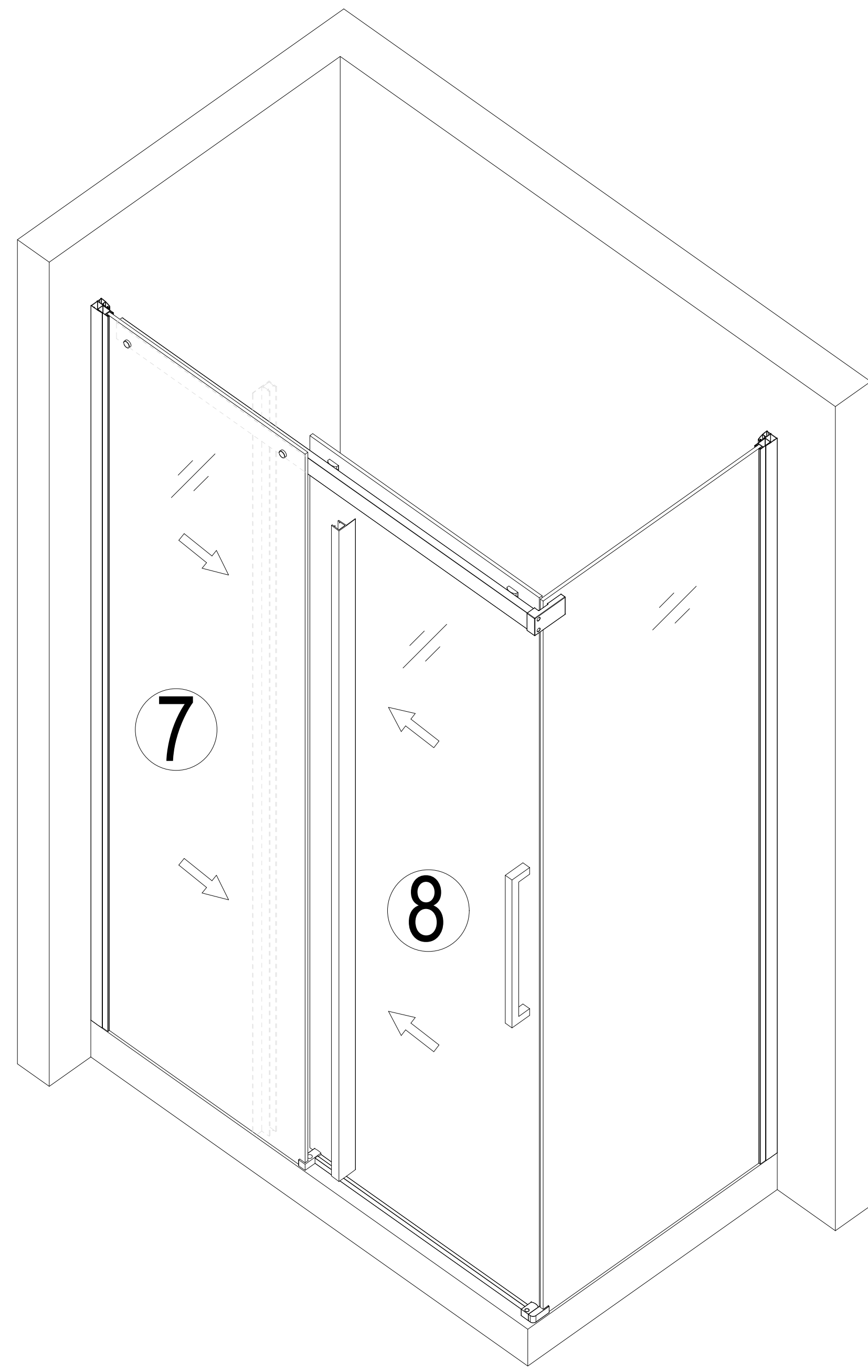
14



14

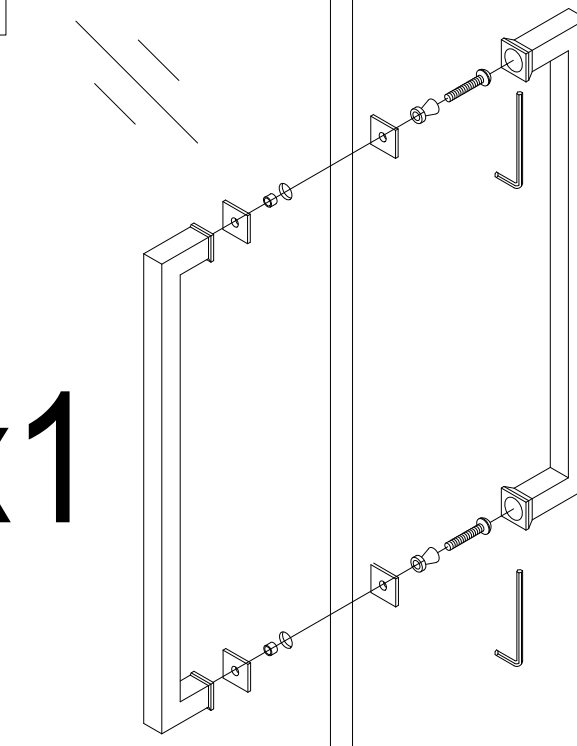


15



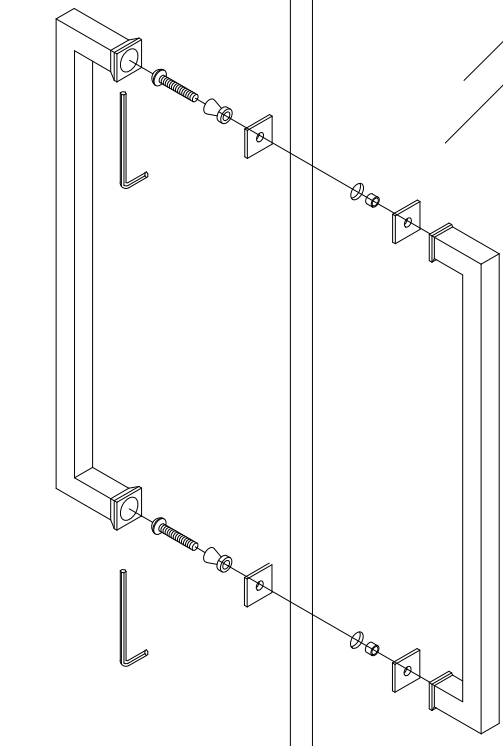
15-1

11 x1



15-1

11 x1



15-2

Inside

8

1923mm 10

7

Outside

9 1915mm

7

Inside

8

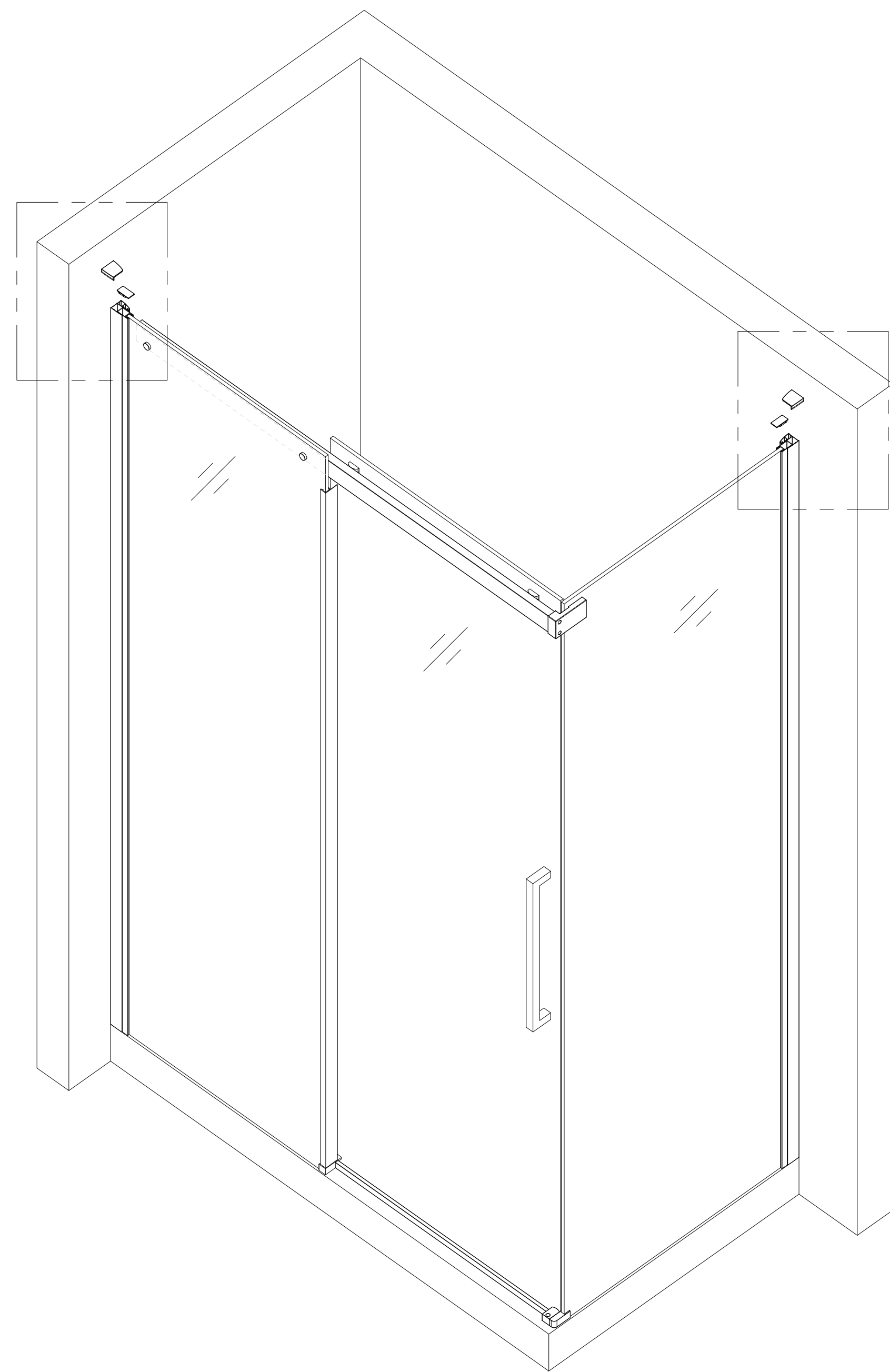
1915mm 9 1923mm

7

Outside

15-2

16



16-1

(1)

16 x1

L

(2)

15 x1

(2)

R

15 x1

(1)

16 x1

16-1

16-2

(1)

16 x1

(2)

R

15 x1

(2)

L

15 x1

16-2

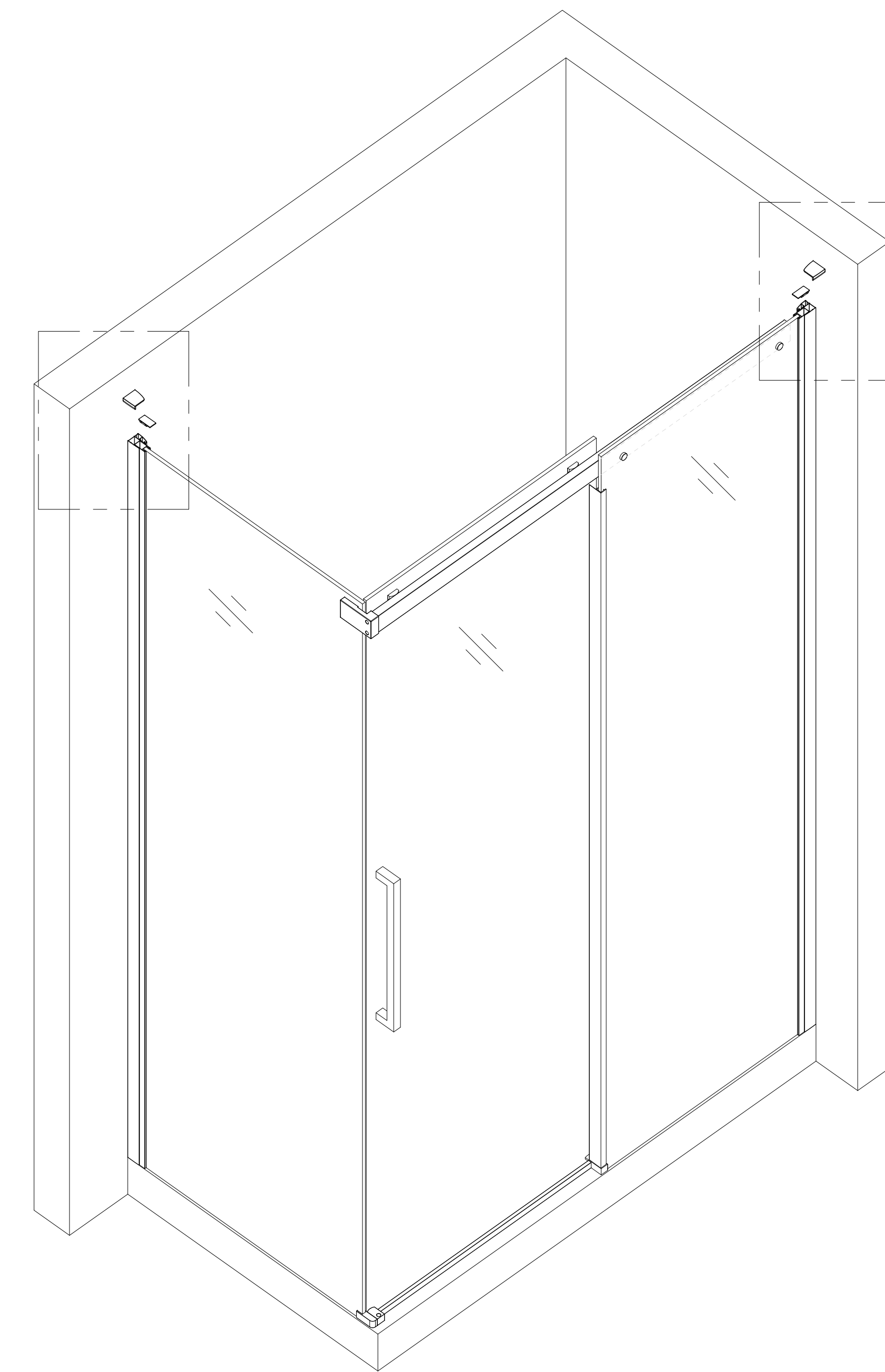
(1)

16 x1

15



16

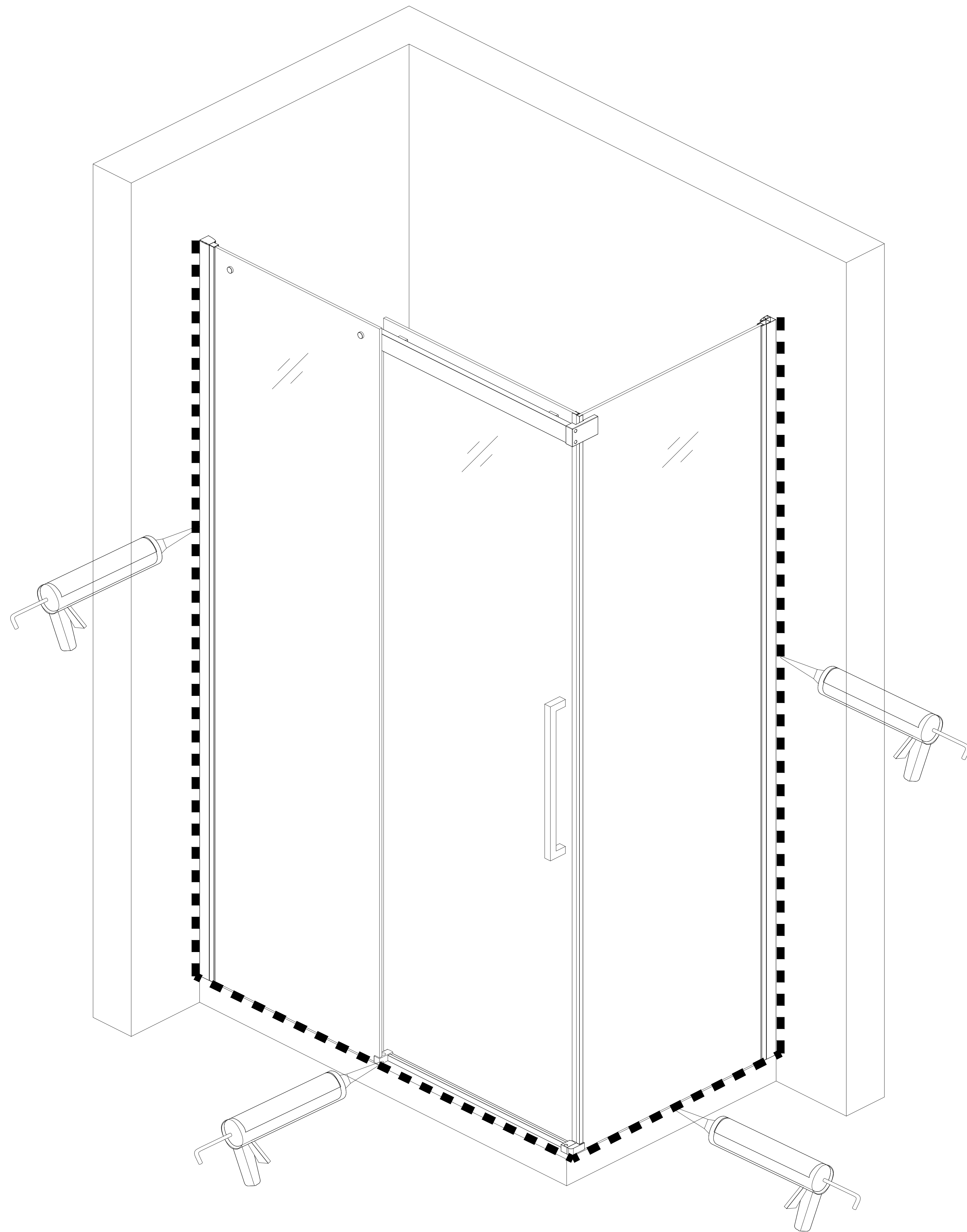






Care Instructions:

Do not use your shower enclosure within 24 hours of assembly . Do not use caustic cleaning products or abrasive material when cleaning your shower enclosure.

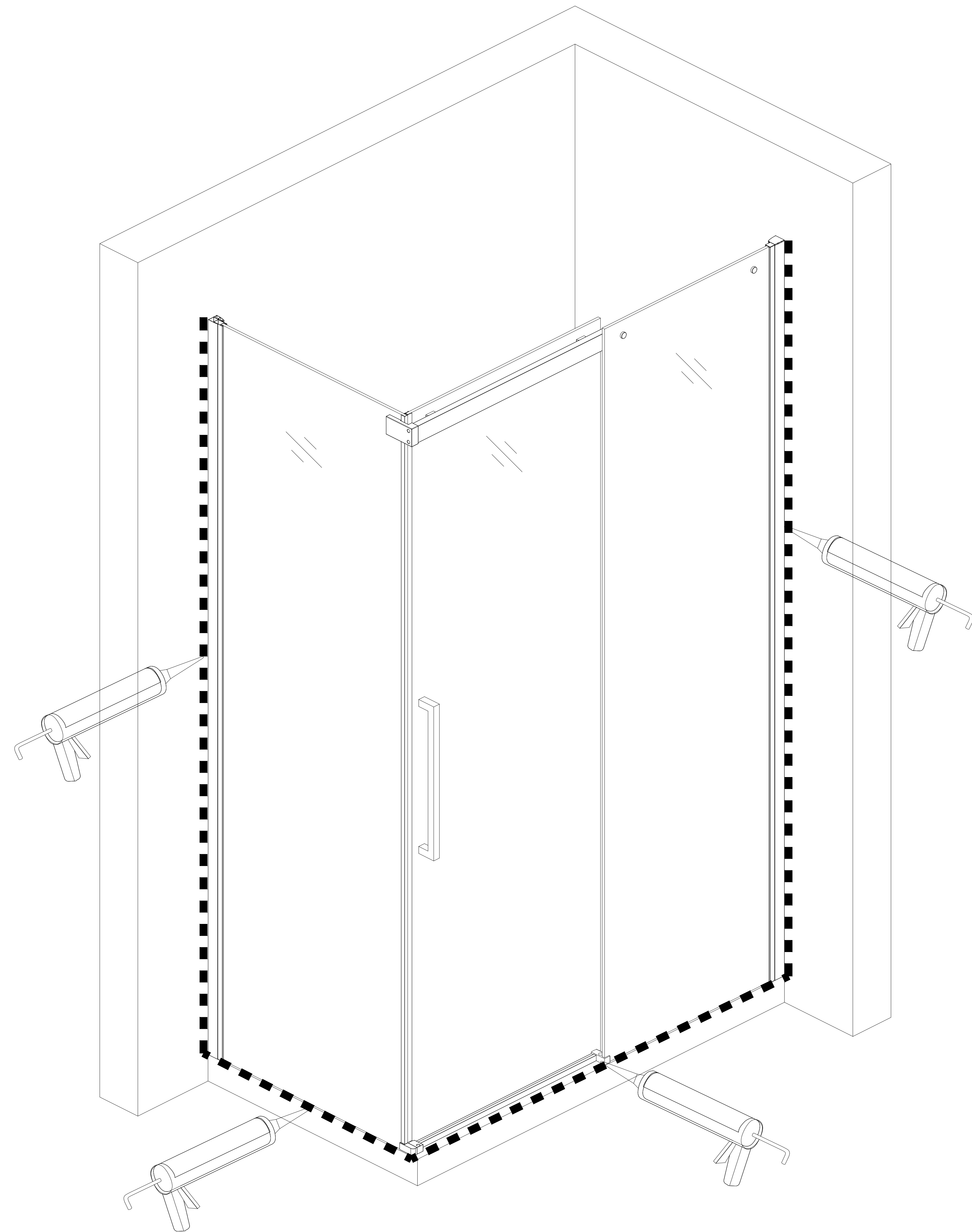


Silicone on the outside only



Care Instructions:

Do not use your shower enclosure within 24 hours of assembly . Do not use caustic cleaning products or abrasive material when cleaning your shower enclosure.



Silicone on the outside only



# Eastbrook

Eastbrook Road, Gloucester GL4 3DB

Technical Helpline: 01452 317890

Email: [technical@eastbrookco.com](mailto:technical@eastbrookco.com)

## Cleaning and Maintenance of Shower Enclosures

Do not clean the shower enclosure with irritant detergents such as alcohol, bleach or other chemical cleaners.

Only clean with mild soapy water or a proprietary cleaner where the label advises it is suitable for the materials the enclosure is constructed from. Test on a small area first.

For treating limescale we would recommend distilled vinegar in a half and half solution with water.

Following installation should you find that there is a notable noise when the glass door moves you may add a small amount of silicon lubricant onto the roller wheels and tracks, hinges or clips.

It is the responsibility of the product owner to maintain the product as recommended above. Also, to check for parts which have broken or become loose to protect against failure of the enclosure.