

## DATASHEET

### Image



### General Information

Product:	54.0014
Description:	Angle Twin inlet Thermostatic Radiator Valve 15mm
Website Link:	<a href="#">(Click Here)</a>
Product Type:	Radiator Valve
Brand:	Eastbrook Company
Colour:	Gloss White
Material:	Brass + Plastic
Net Weight (kg):	0.767kg
Product Range:	Radiator Valves

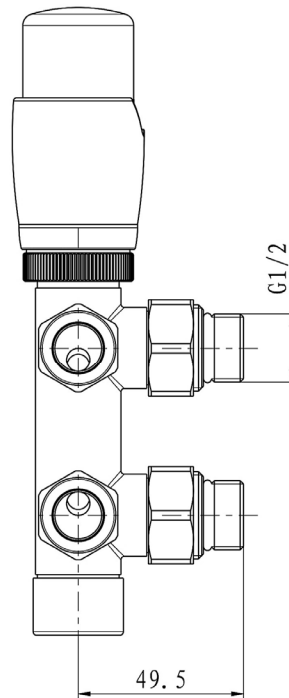
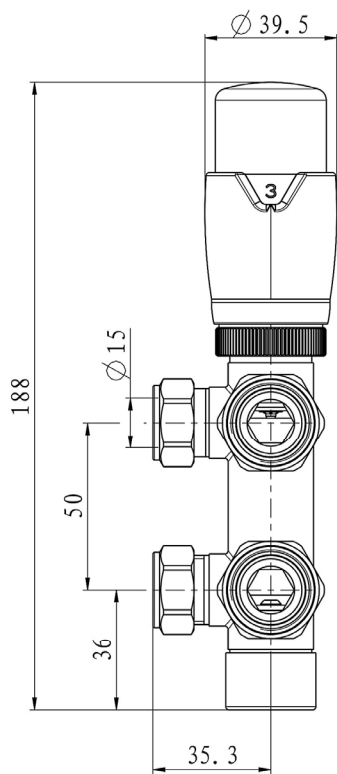
### Product Specifications

Warranty:	2 Year(s)
Valve Types:	Twin Inlet

## Drawing

### Angle Twin Inlet TRV Technical Drawing

54.0014 - 54.00015



**Eastbrook**   
Eastbrook Road, Gloucester GL4 3DB  
Technical Helpline : 01452 317890  
Mon - Fri / 8am - 5pm  
Email : technical@eastbrookco.com