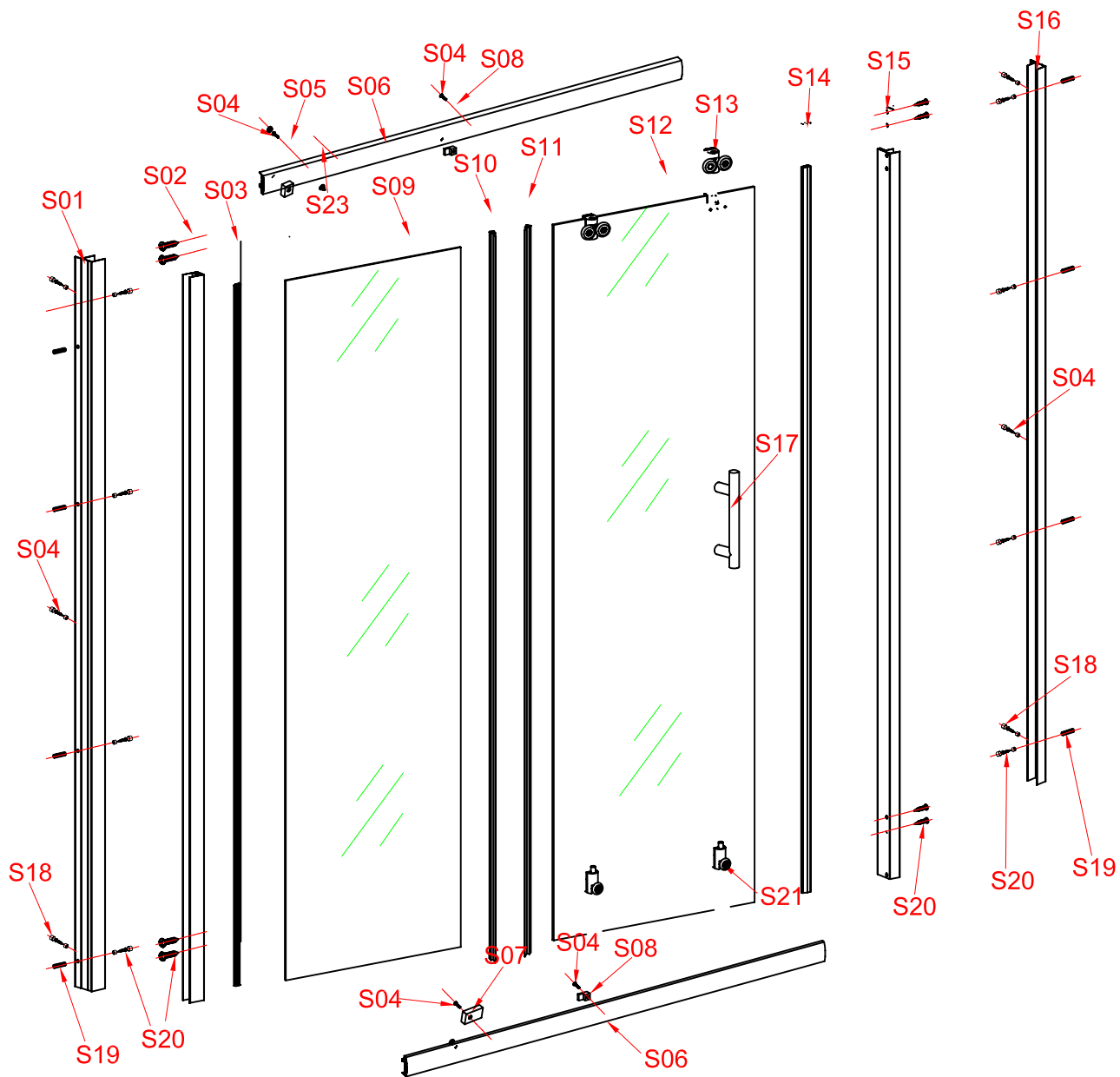


# INSTALLATION MANUAL

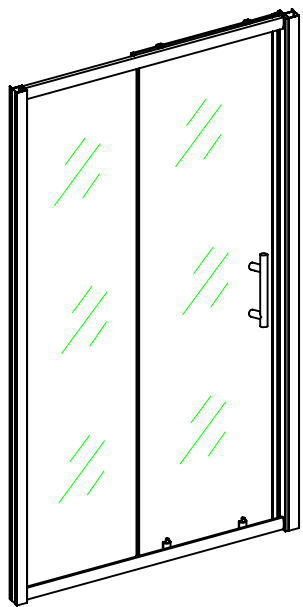
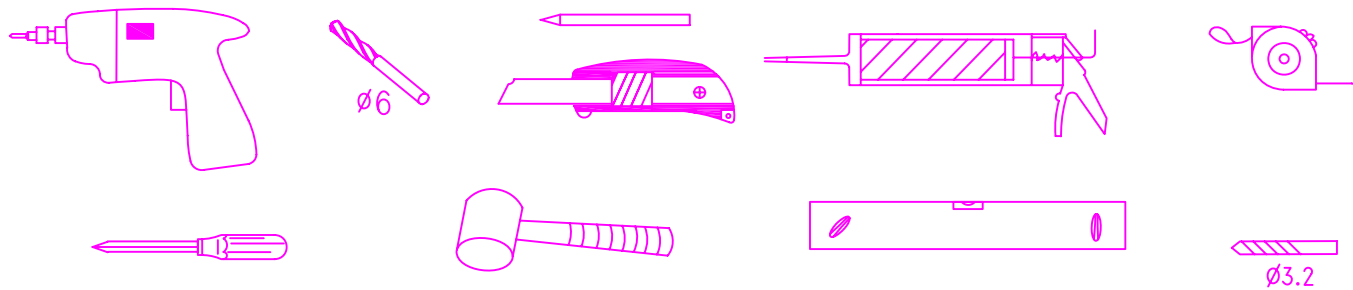
Eastbrook Code	Adjustment	Eastbrook Code	Adjustment
69.0034	1670-1690	69.0035	1770-1790



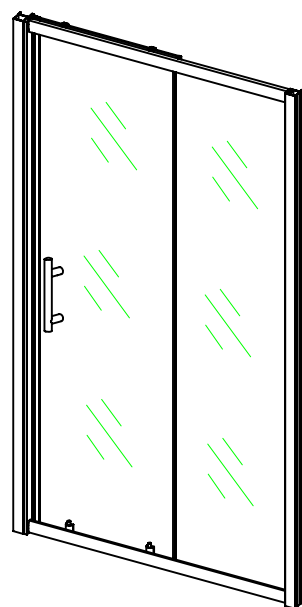


This product should only be fixed by a fully qualified installer

<p>S01 S16</p> <p>x2</p>	<p>S02</p> <p>x1</p>	<p>S03</p> <p>x1</p>	<p>S04</p> <p>x10</p>	<p>S05</p> <p>x1</p>	<p>S06</p> <p>x2</p>
<p>S07</p> <p>x1</p>	<p>S08</p> <p>x2</p>	<p>S10 S11</p> <p>x2</p>	<p>S13</p> <p>x2</p>	<p>S14</p> <p>x1</p>	<p>S15</p> <p>x1</p>
<p>S17</p> <p>x1</p>	<p>S18</p> <p>x14</p>	<p>S19</p> <p>x8</p>	<p>S20</p> <p>x16</p>	<p>S21</p> <p>x2</p>	

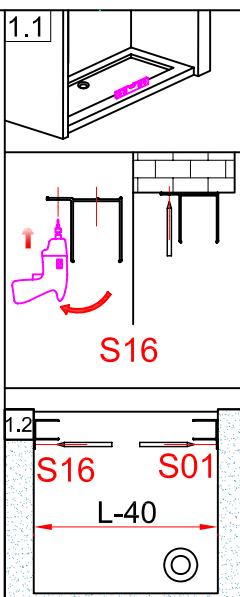
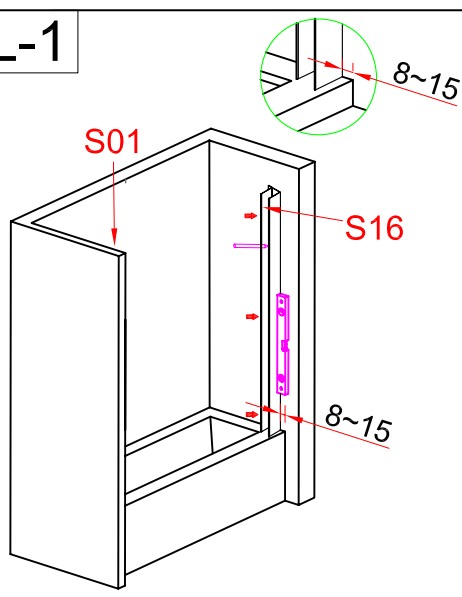


L

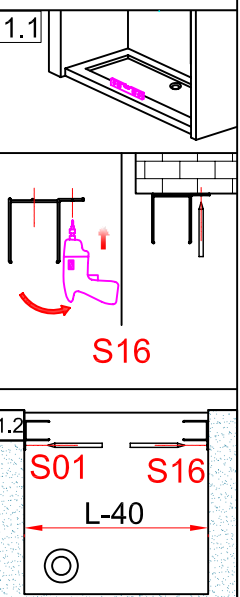
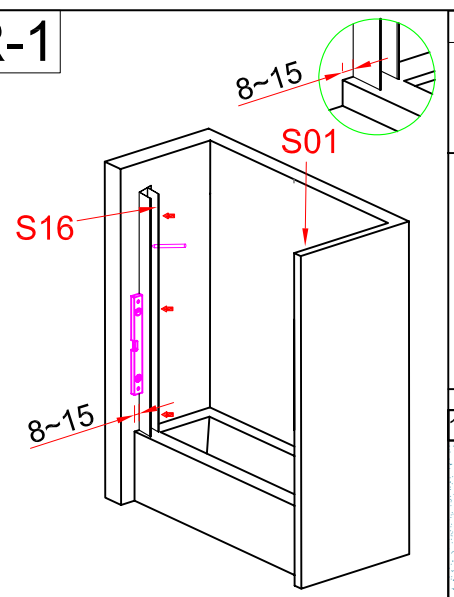


R

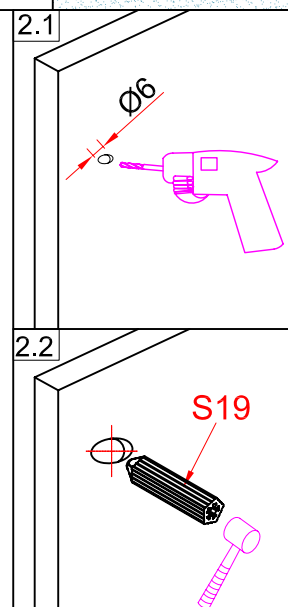
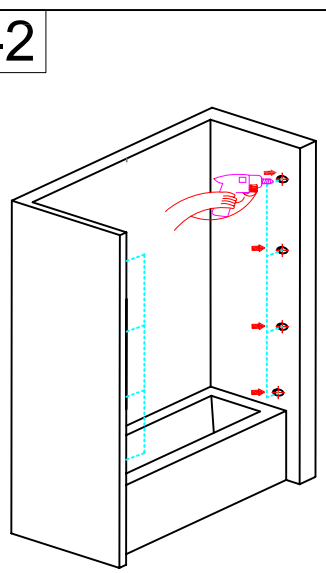
L-1



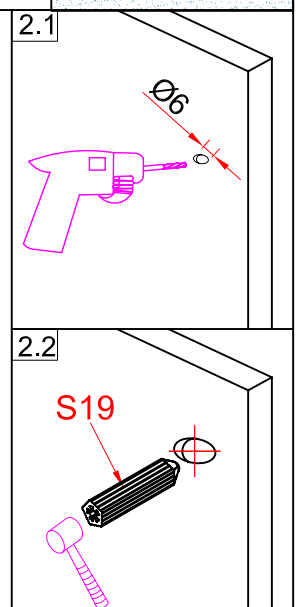
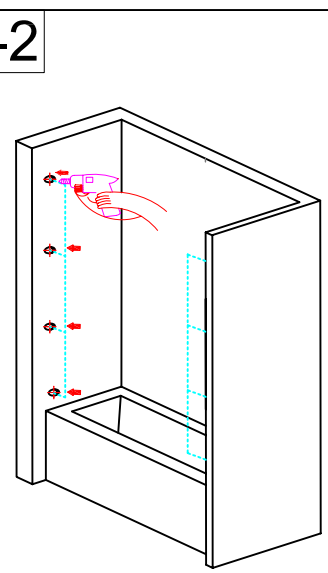
R-1



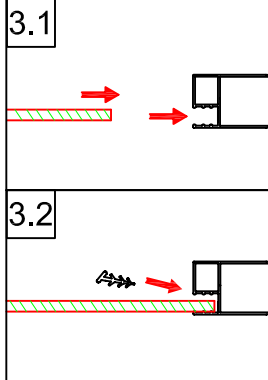
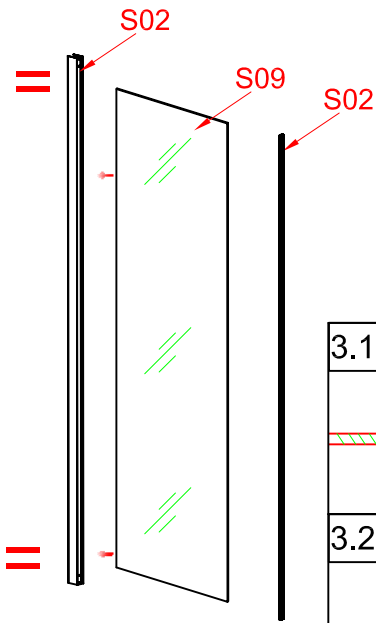
L-2



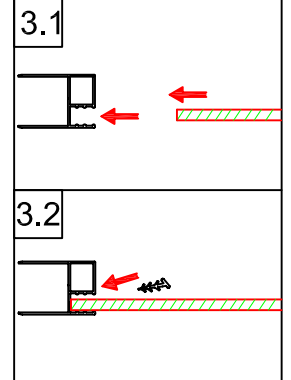
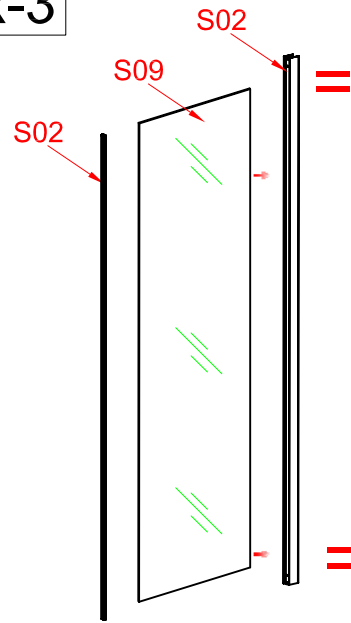
R-2



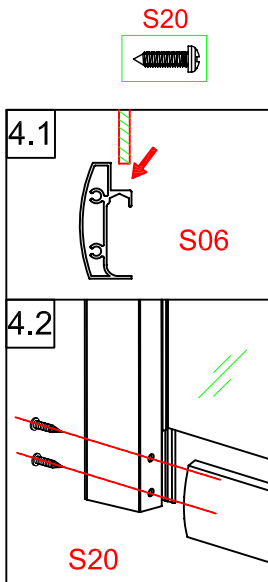
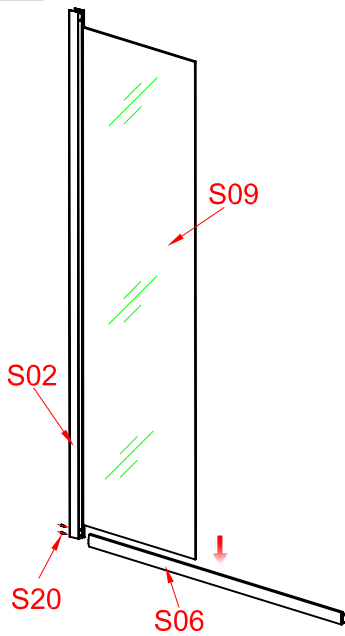
L-3



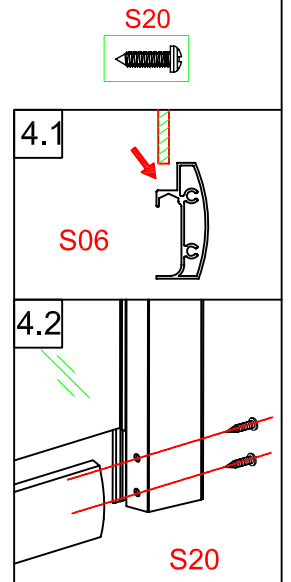
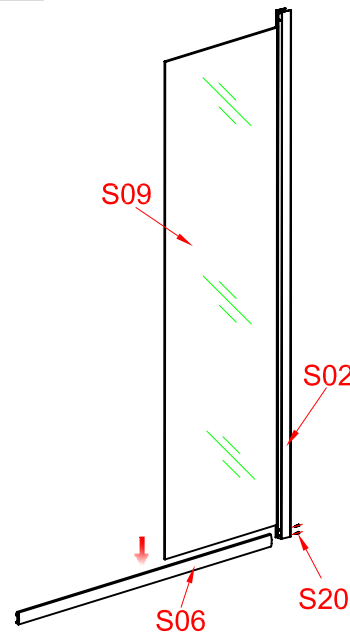
R-3



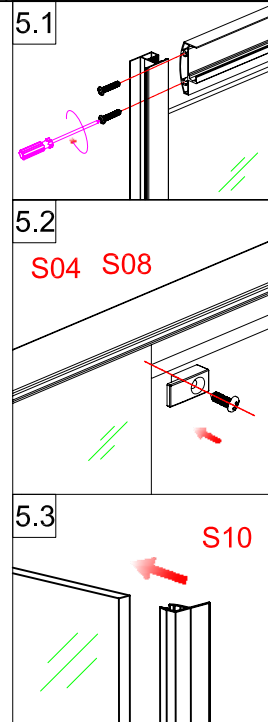
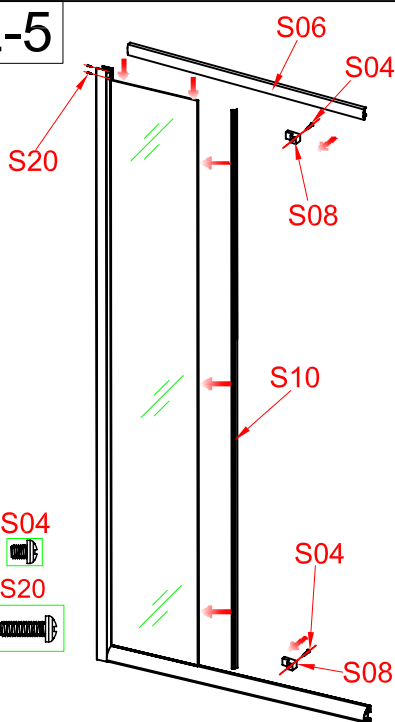
L-4



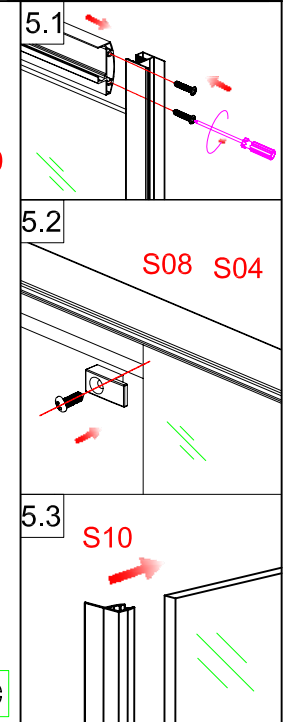
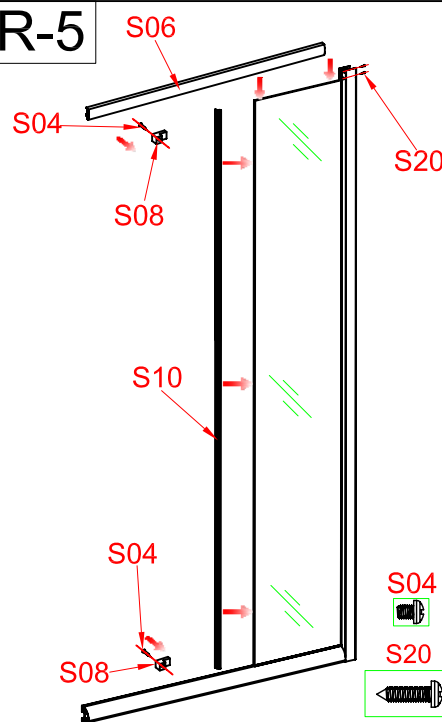
R-4



L-5



R-5



S04

S20

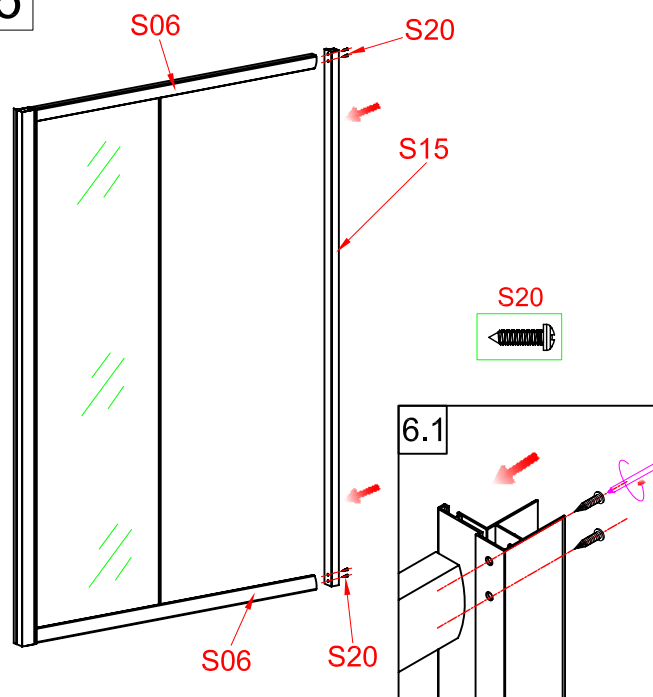


S04

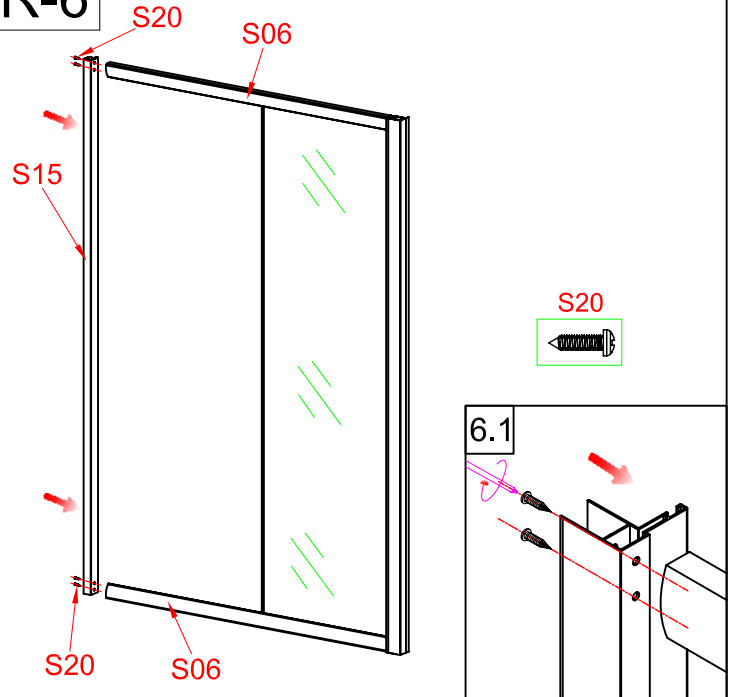
S20



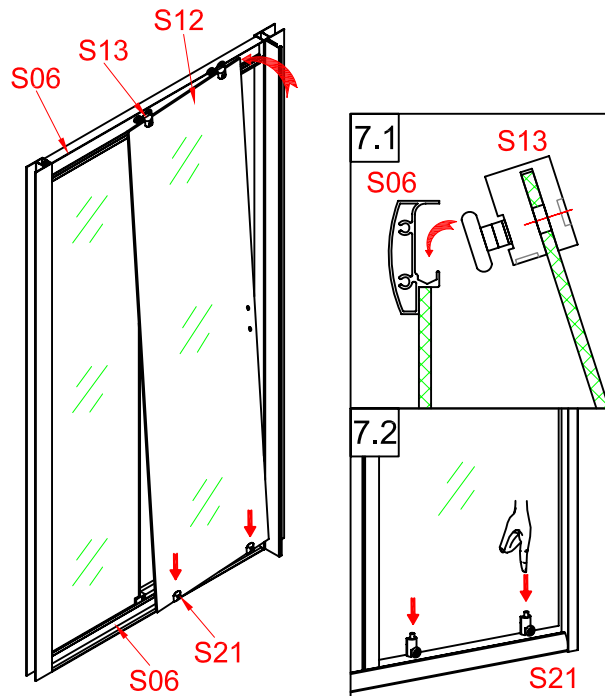
L-6



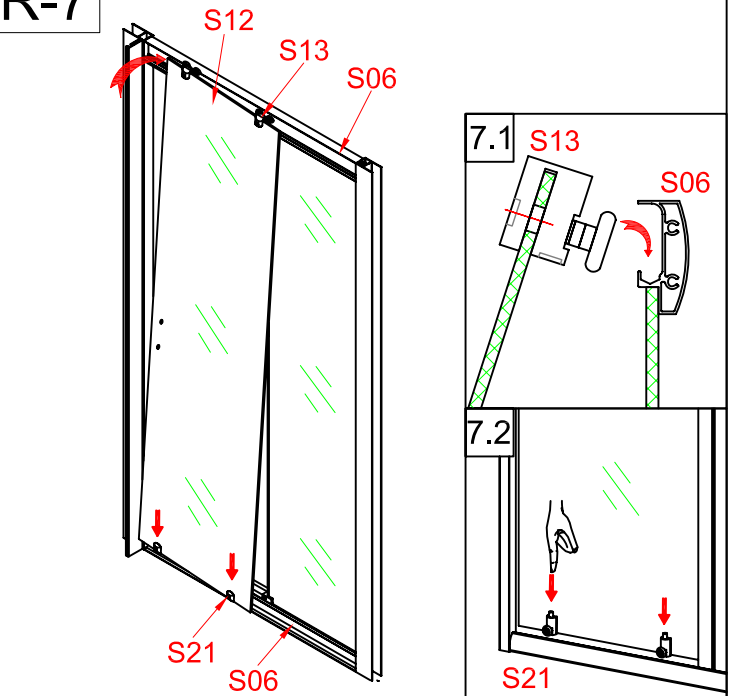
R-6



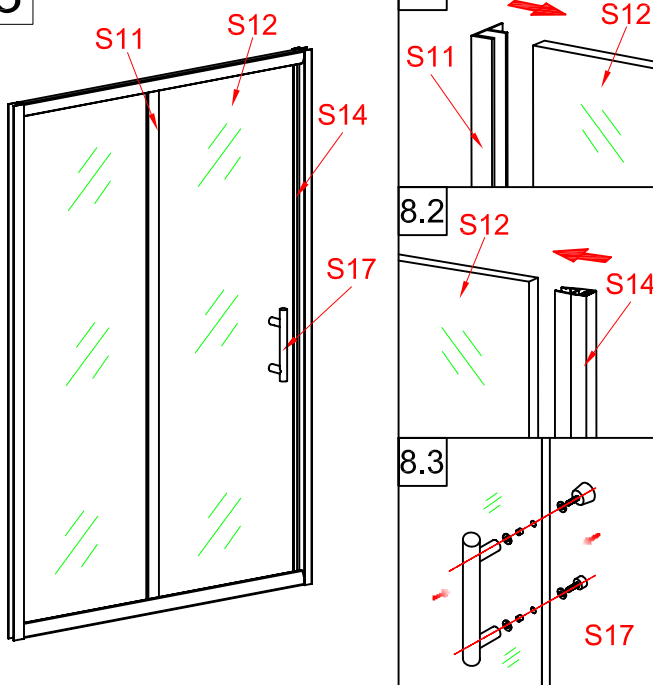
L-7



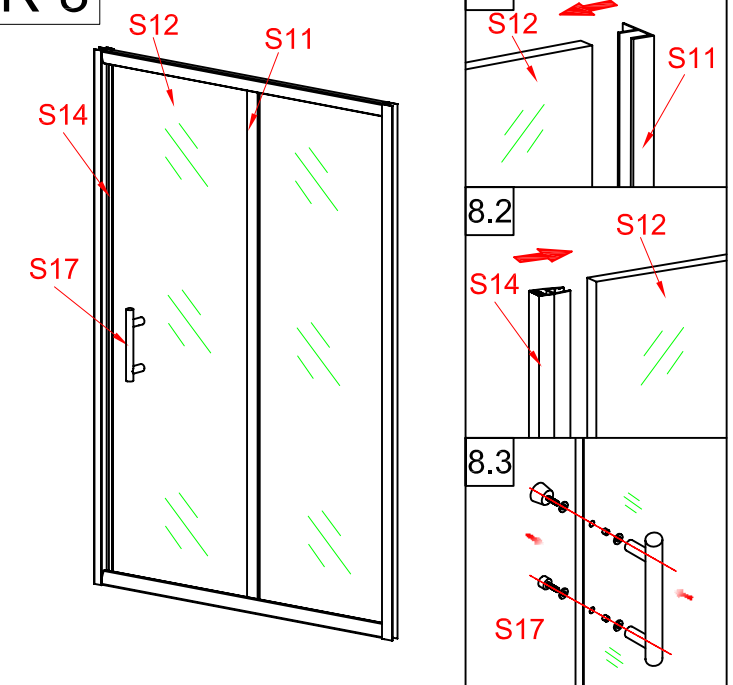
R-7

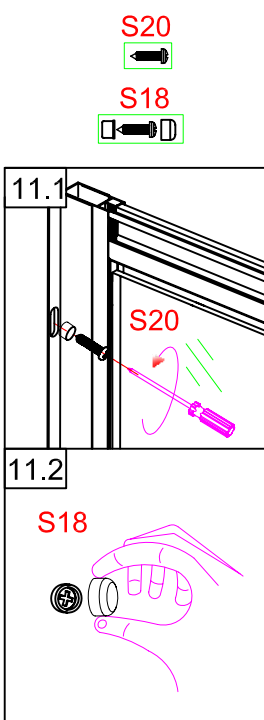
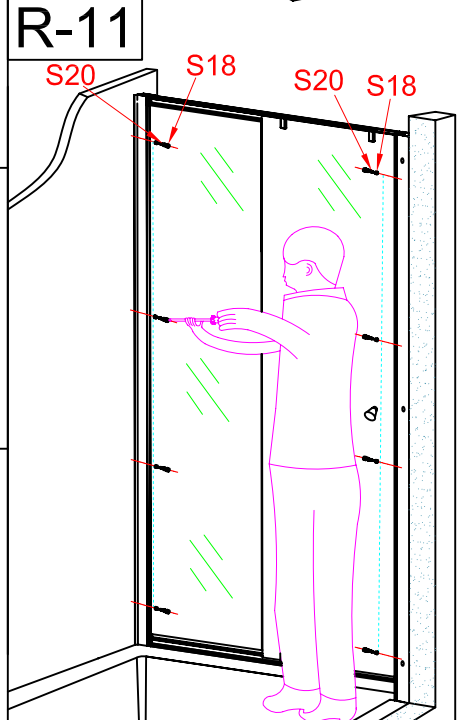
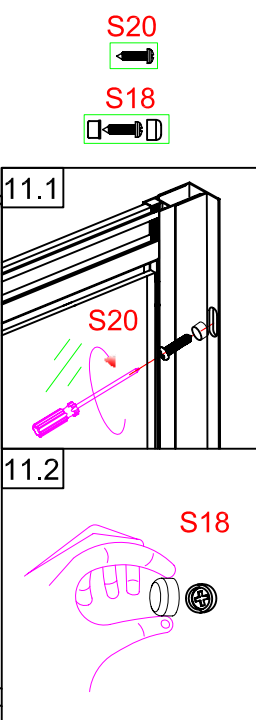
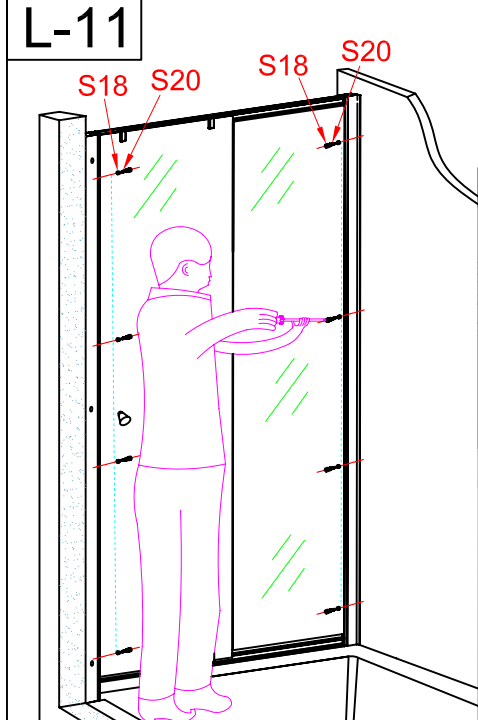
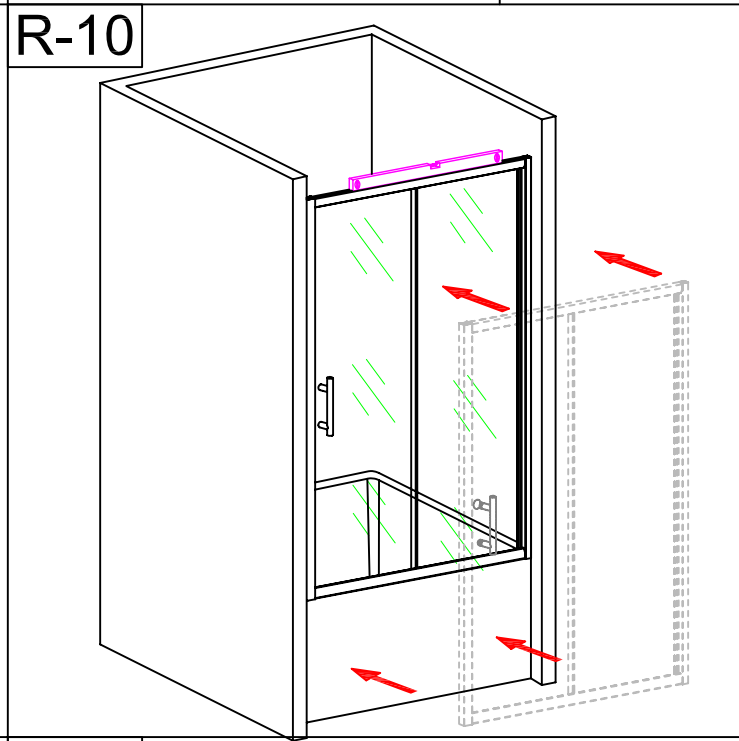
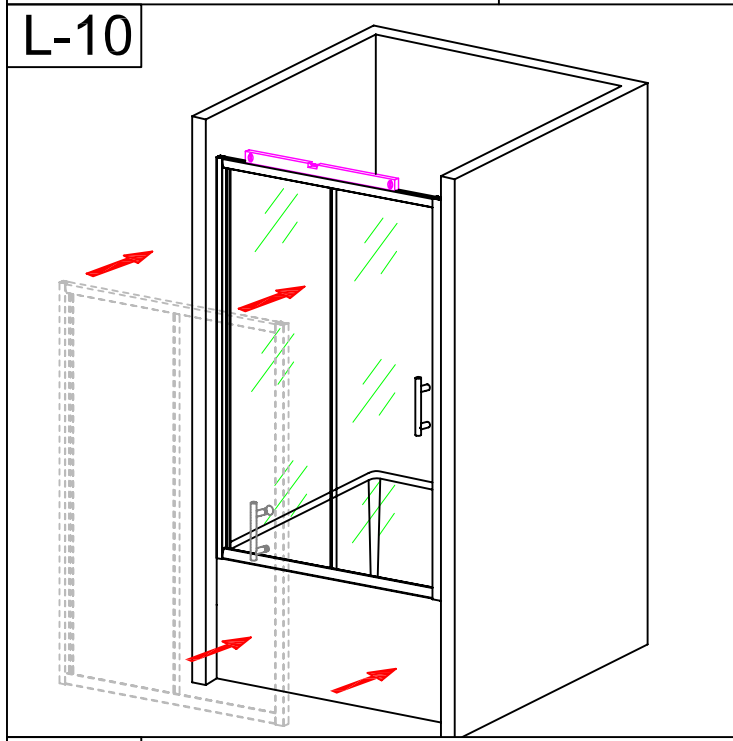
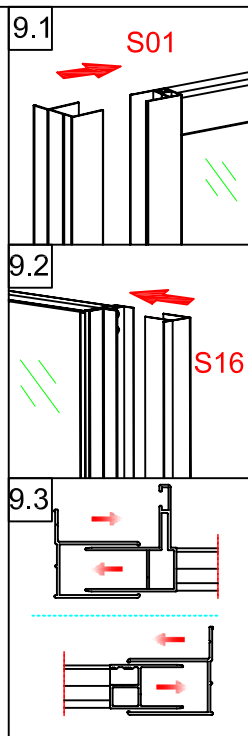
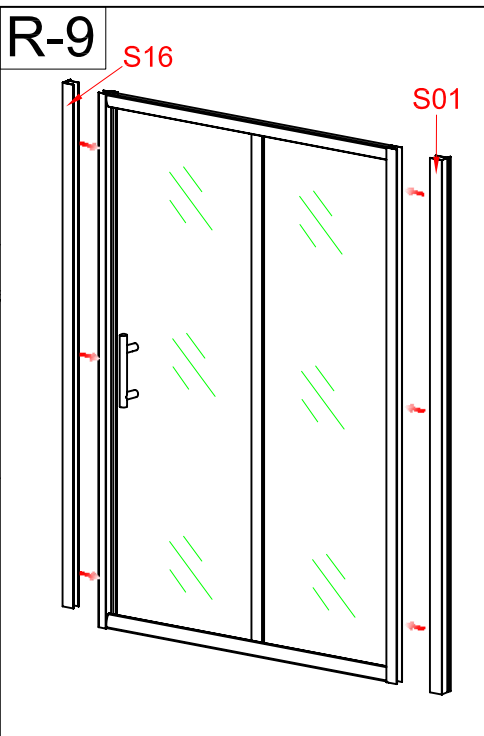
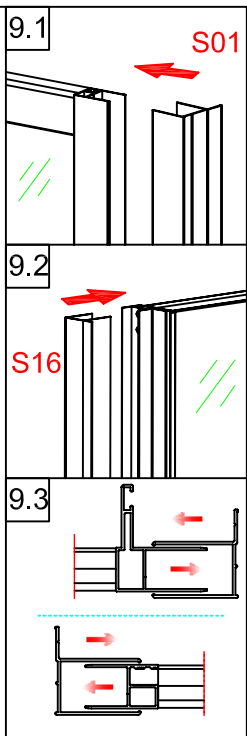
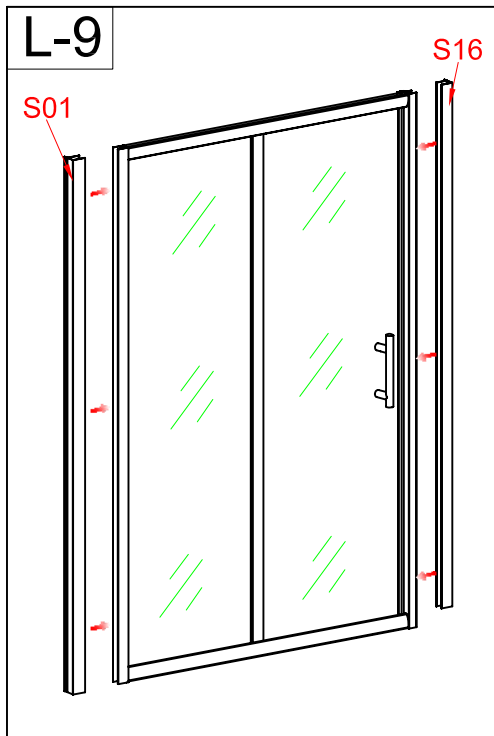


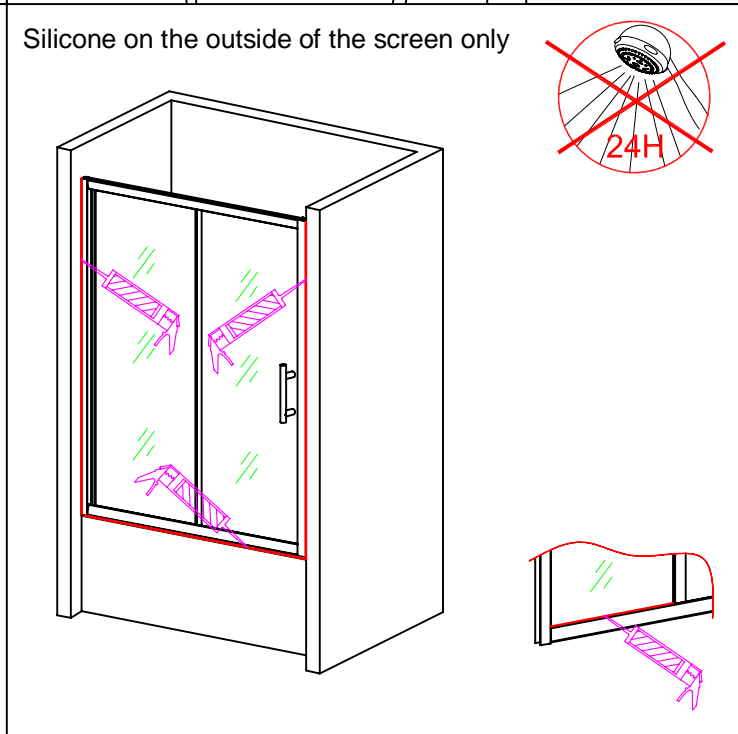
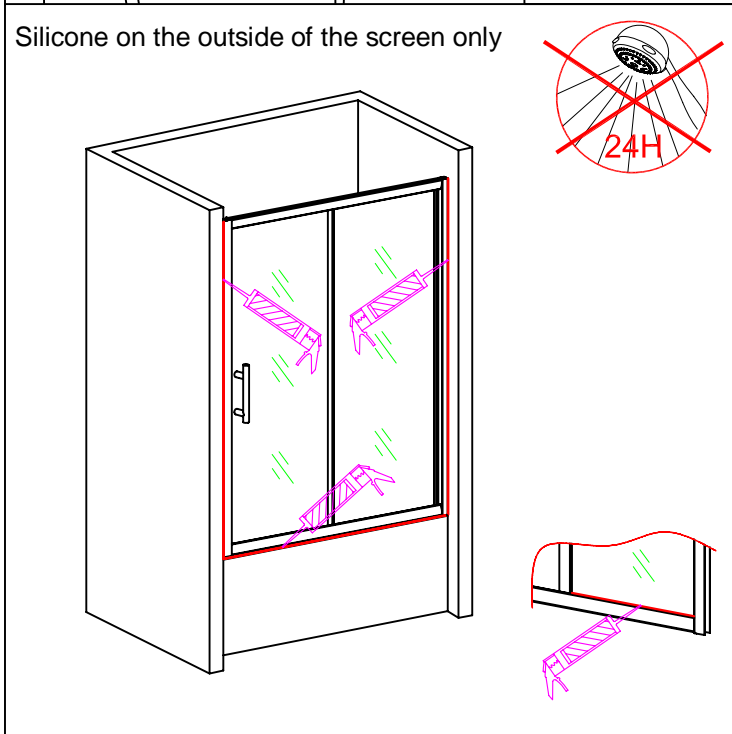
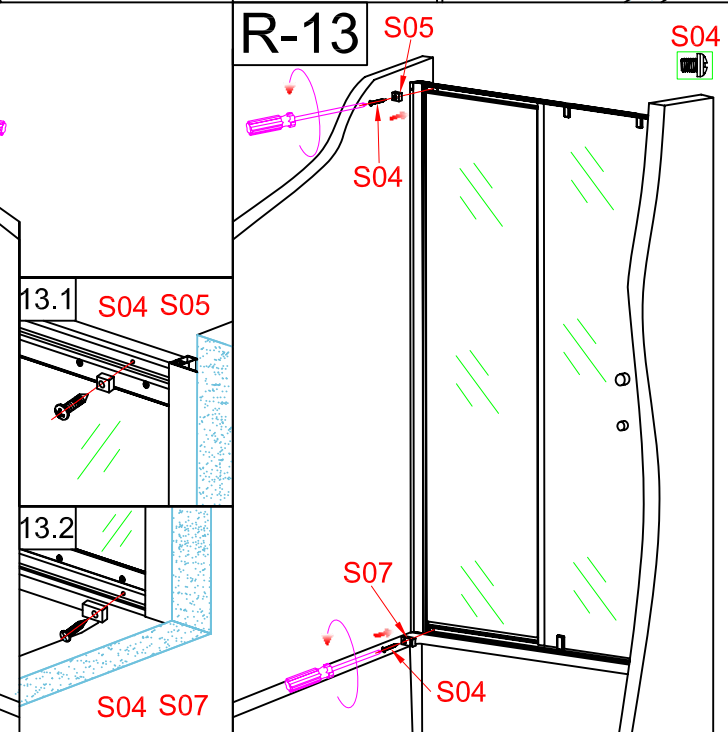
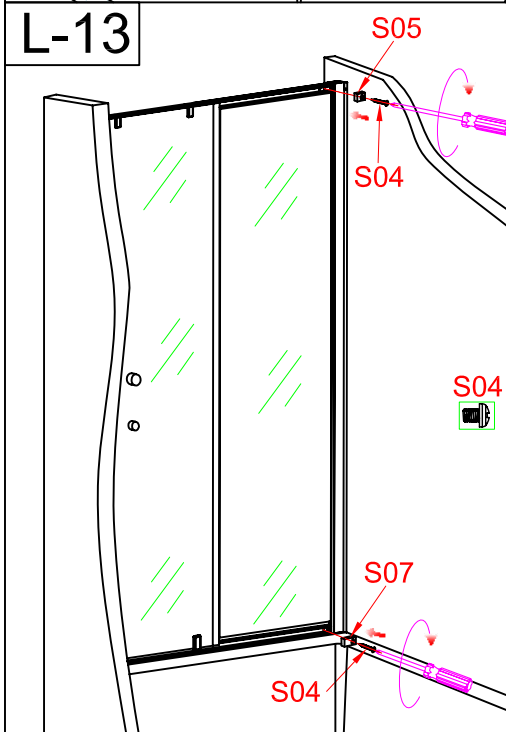
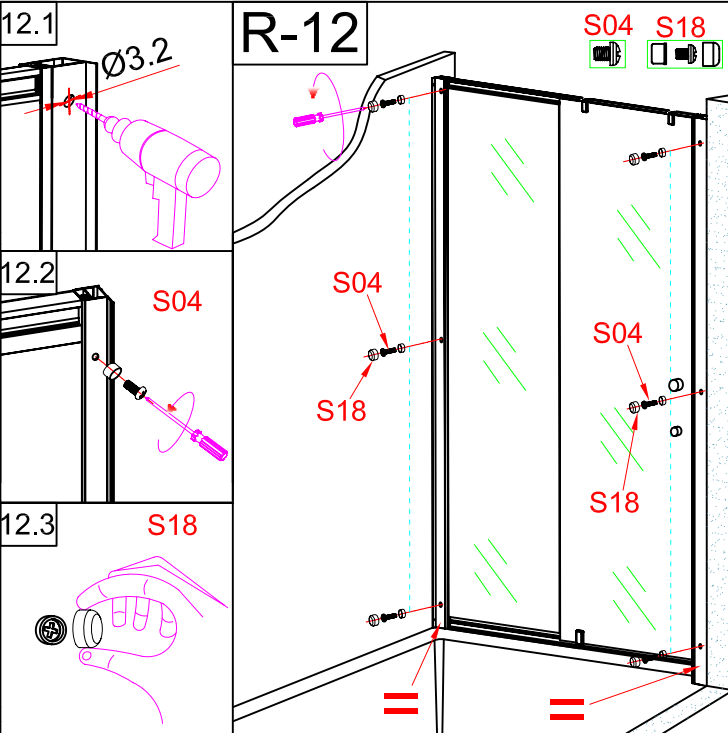
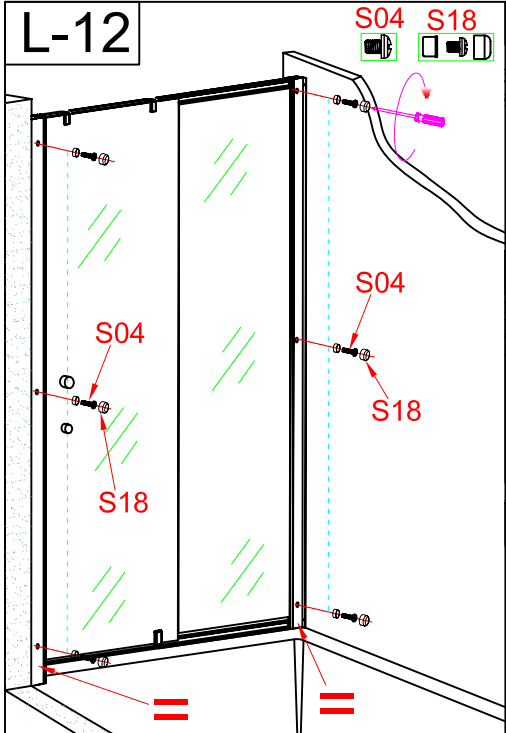
L-8



R-8







## Cleaning & Maintenance

Don't clean the shower enclosure with irritant detergent such as alcohol,bleach or other chemical cleaners.

Only clean with warm soapy water.

After the installation is completed,should you find that there is notable noise when the glass door moves,you may add a small quantity of lubricant onto the roller wheel,slipping hook and the track.

Helpline: 01452 317890