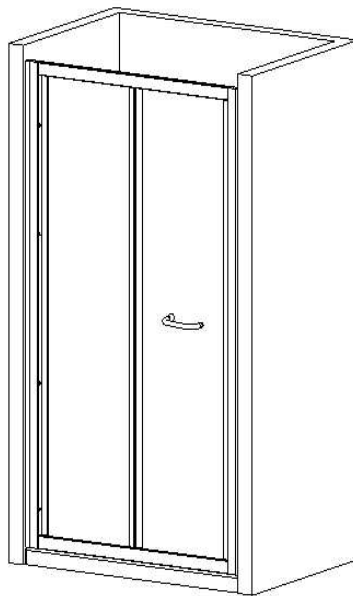
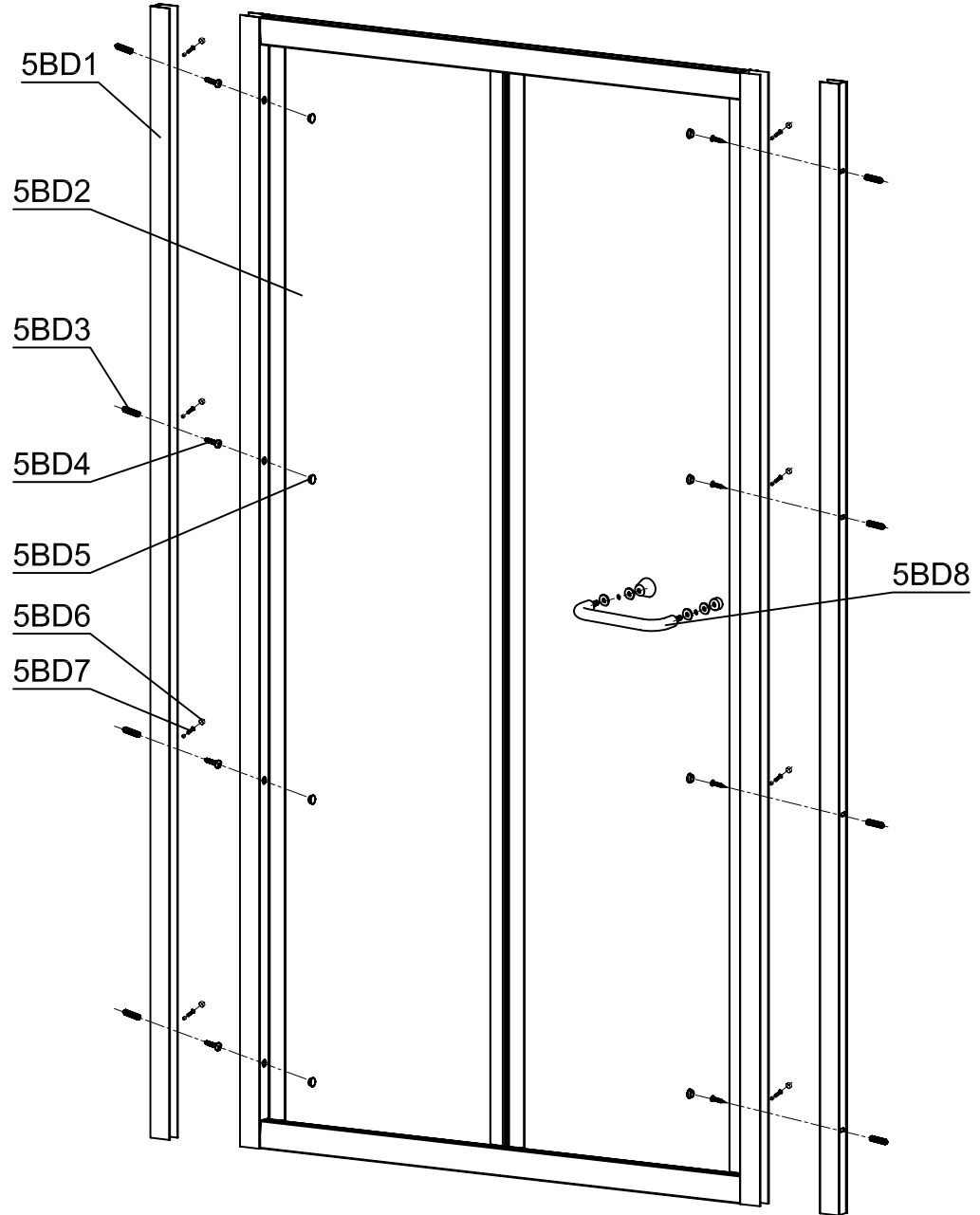




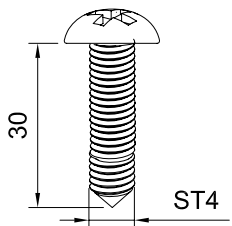
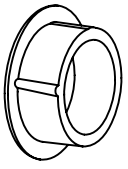
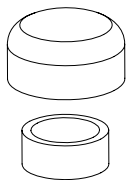
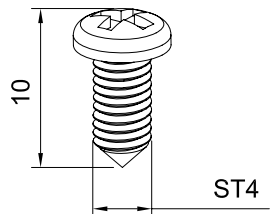
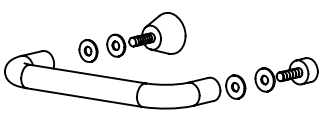
INSTALLATION MANUAL

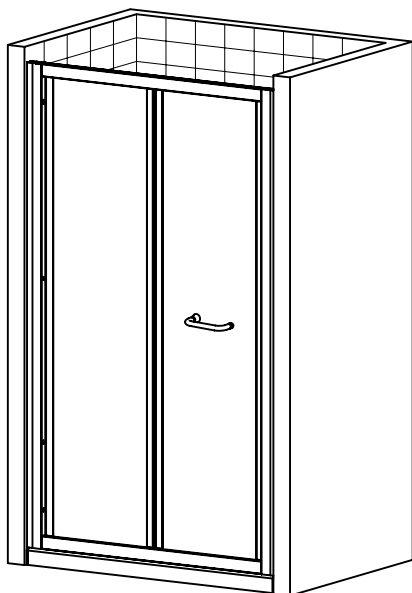
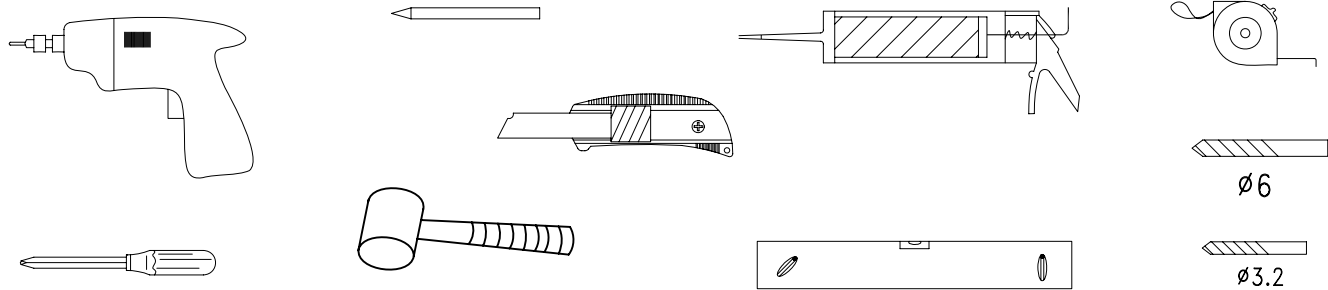
Eastbrook Code	Adjustment	Eastbrook Code	Adjustment
69.0055	680-700	69.0056	740-760
69.0057	780-800	69.0058	880-900



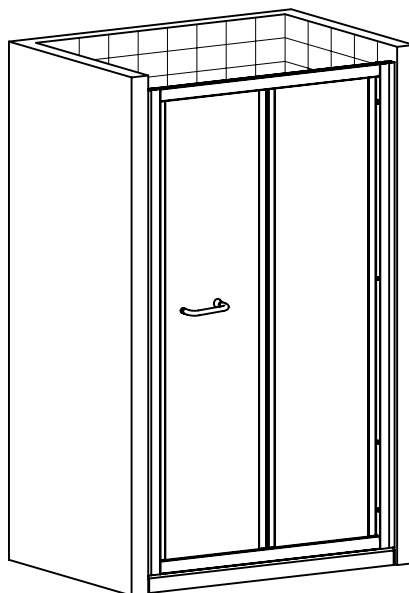
This product should only be fixed by a fully qualified installer



<p>5BD1</p>  <p>2X</p>	<p>5BD3</p>  <p>8X</p>	<p>5BD4</p>  <p>8X</p>	<p>5BD5</p>  <p>8X</p>
<p>5BD6</p>  <p>8X</p>	<p>5BD7</p>  <p>8X</p>	<p>5BD8</p>  <p>1X</p>	

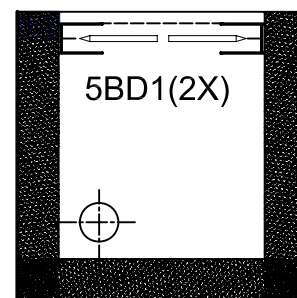
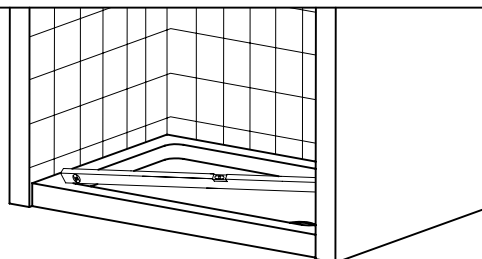
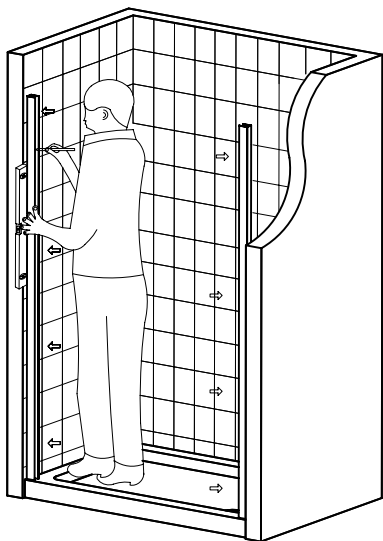


LH



RH

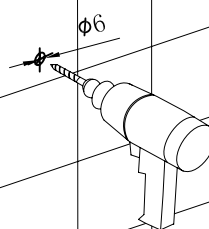
1



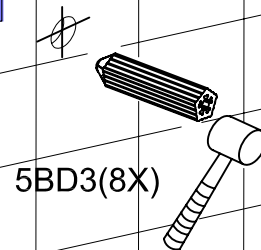
2



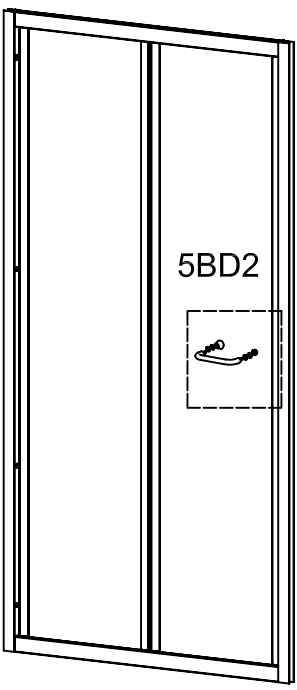
2.1



2.2



3



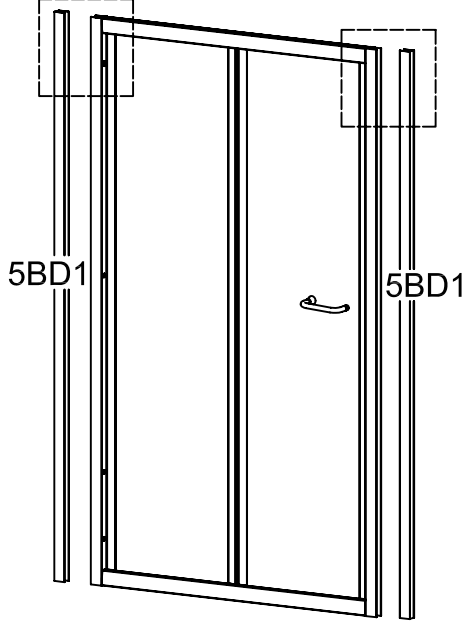
5BD2

3.1

5BD8(1X)



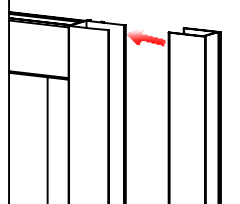
4



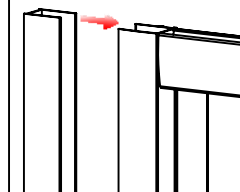
5BD1

5BD1

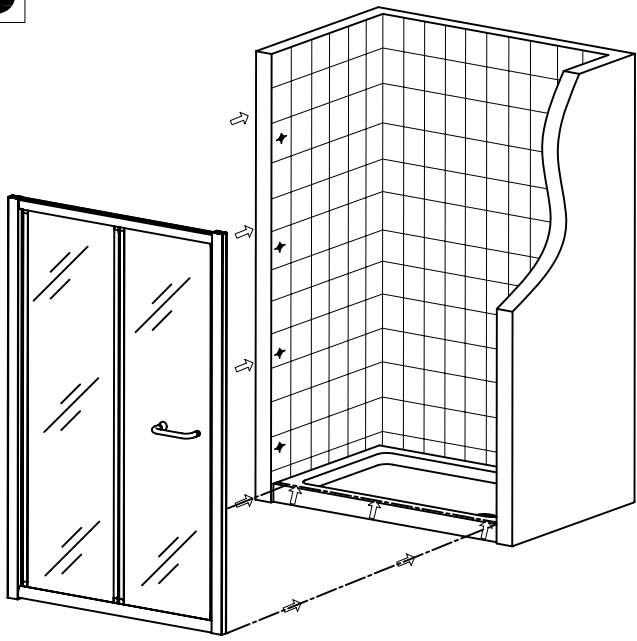
4.1



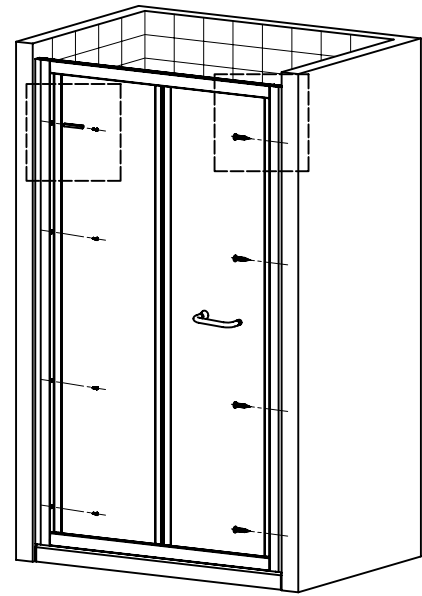
4.2



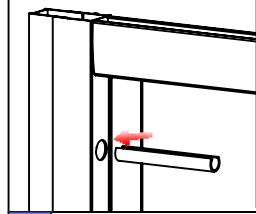
5



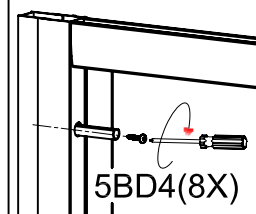
6



6.1

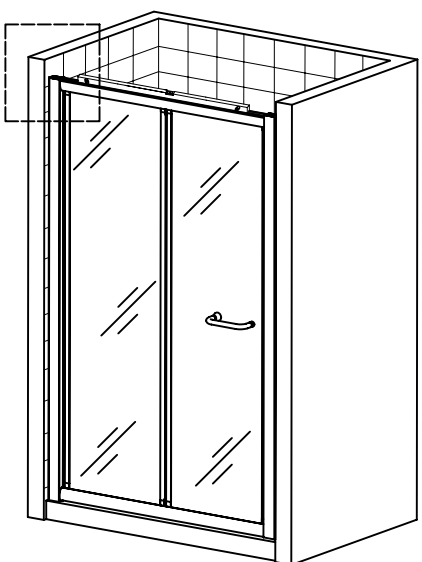


6.2

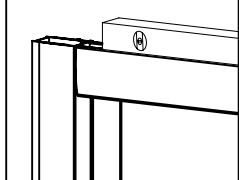


5BD4(8X)

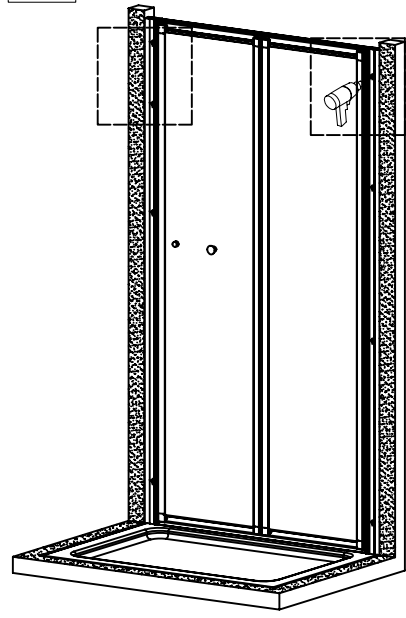
7



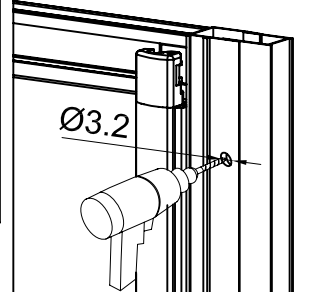
7.1



8

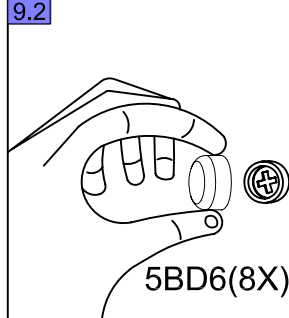
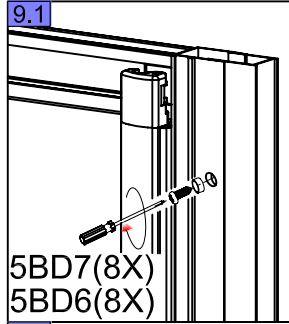
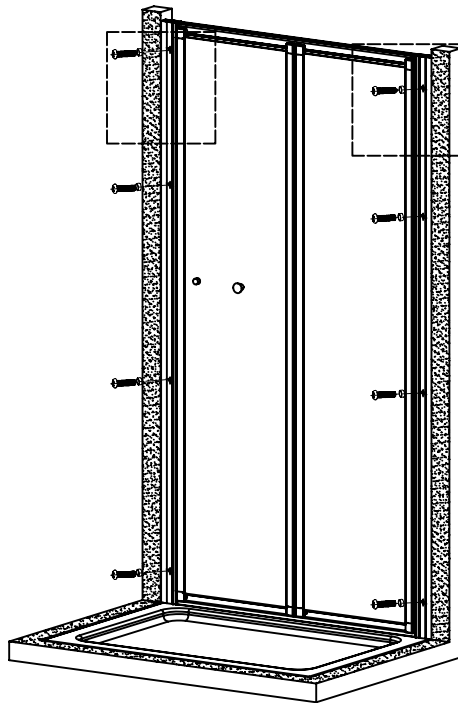


8.1

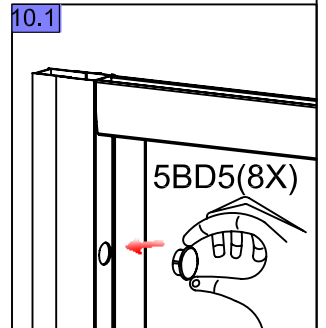
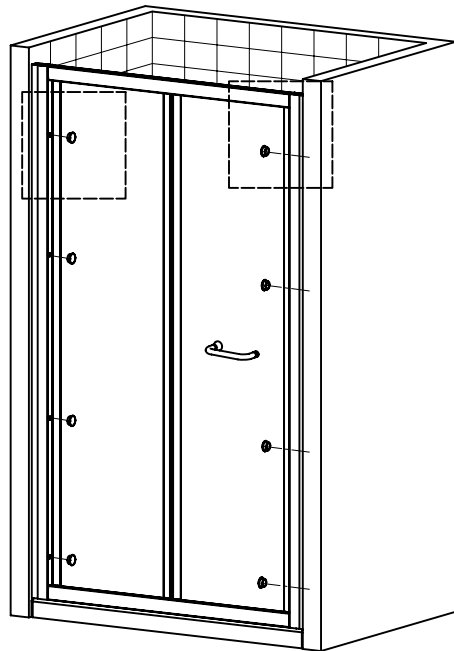


Ø3.2

9

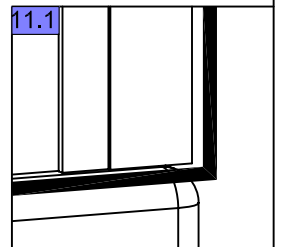
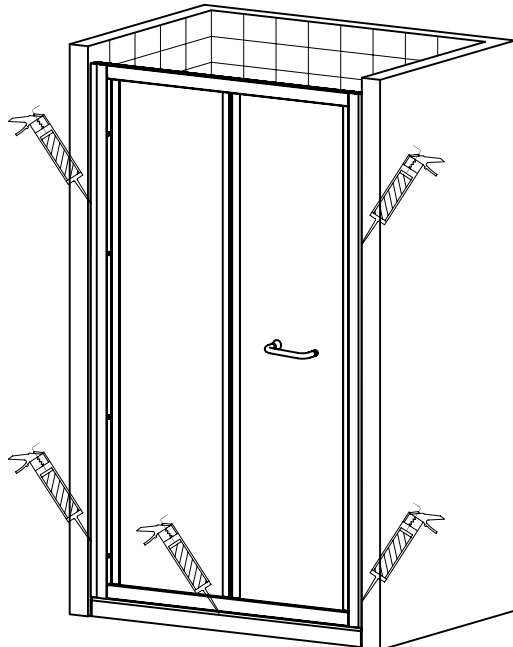


10



11

Silicone on the outside of the screen only



Cleaning & Maintenance

Don't clean the shower enclosure with irritant detergent such as alcohol,bleach or other chemical cleaners.

Only clean with warm soapy water.

After the installation is completed,should you find that there is notable noise when the glass door moves,you may add a small quantity of lubricant onto the roller wheel,slipping hook and the track.

Helpline: 01452 317890