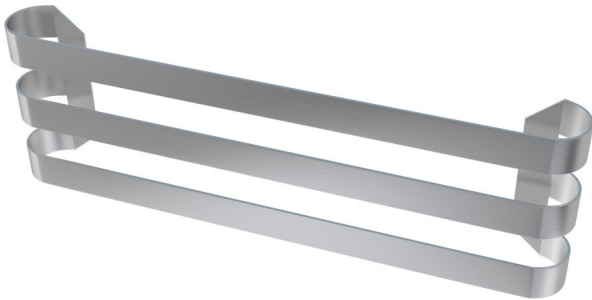


DATASHEET

Image



General Information

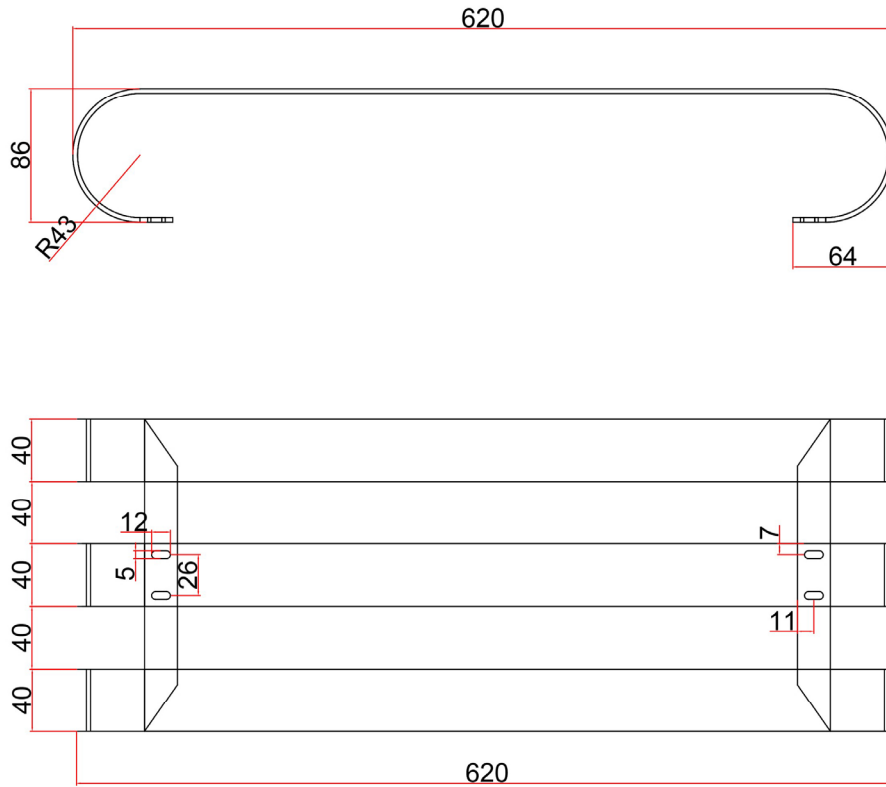
Product:	101.0066
Description:	Curved Triple Towel Hanger 565mm
Website Link:	(Click Here)
Product Type:	Towel Hanger
Brand:	Eastbrook Company
Colour:	Brushed Stainless Steel
Material:	Stainless Steel
Width (mm):	620mm
Net Weight (kg):	2.319kg
Product Range:	Universal

Product Specifications

Warranty:	1 Year(s)
Supplied with fixings:	Yes

Drawing

Curved Triple Towel Hanger (Stainless Steel) Technical Drawing



Eastbrook 
Eastbrook Road, Gloucester GL4 3DB
Technical Helpline : 01452 317890
Mon - Fri / 8am - 5pm
Email : technical@eastbrookco.com