

DATASHEET

Image



General Information

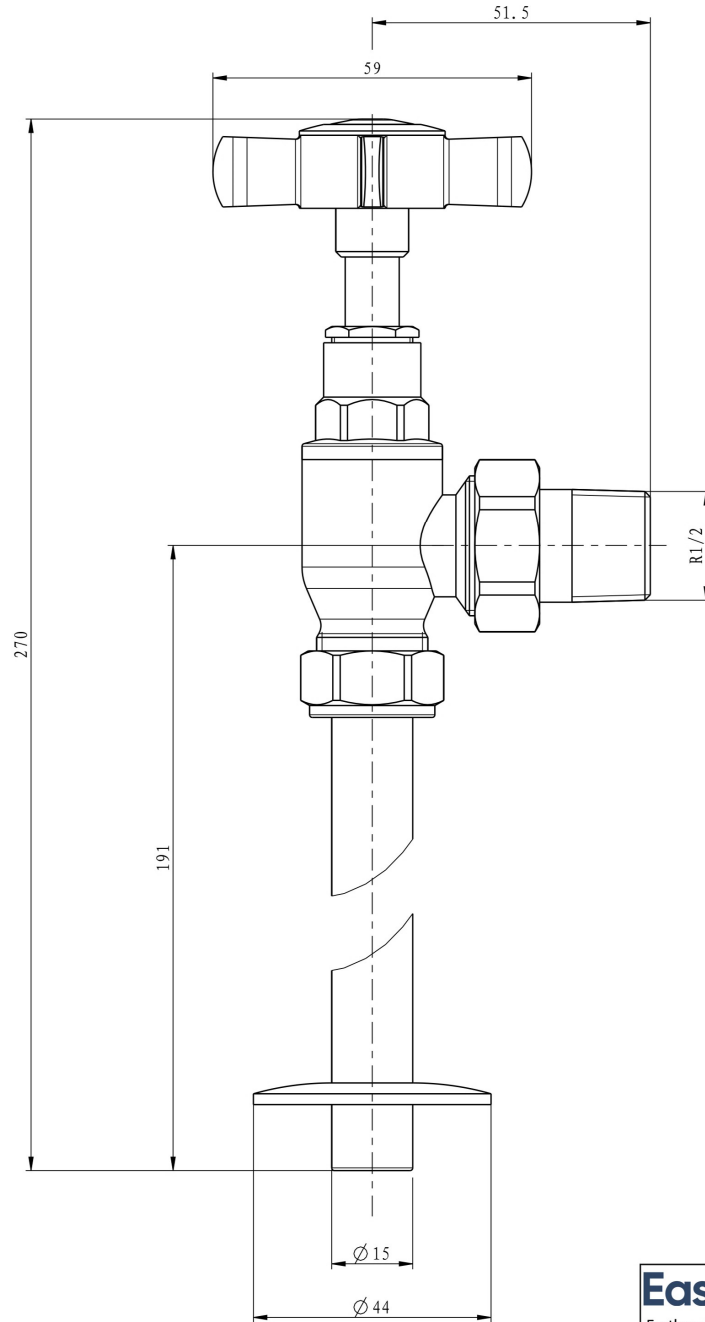
Product:	54.0001
Description:	Angle Traditional Valves (pair) with Tails
Website Link:	(Click Here)
Product Type:	Radiator Valve
Brand:	Eastbrook Company
Colour:	Chrome
Net Weight (kg):	0.832kg
Product Range:	Radiator Valves

Product Specifications

Warranty:	2 Year(s)
Valve Types:	Angled

Drawing

Angle Traditional Valves (pair) with Tails Technical Drawing



Eastbrook 
Eastbrook Road, Gloucester GL4 3DB
Technical Helpline : 01452 317890
Mon - Fri / 8am - 5pm
Email : technical@eastbrookco.com