

## DATASHEET

### Image



### General Information

Product:	54.0036
Description:	Corner Traditional TRV with Lockshield 15mm
Website Link:	<a href="#">(Click Here)</a>
Product Type:	Radiator Valve
Brand:	Eastbrook Company
Colour:	Matt Anthracite
Height (mm):	16.5mm
Width (mm):	6.5mm
Length (mm):	14.5mm
Net Weight (kg):	0.83kg
Product Range:	Radiator Valves

### Product Specifications

Warranty:	2 Year(s)
Valve Types:	Corner

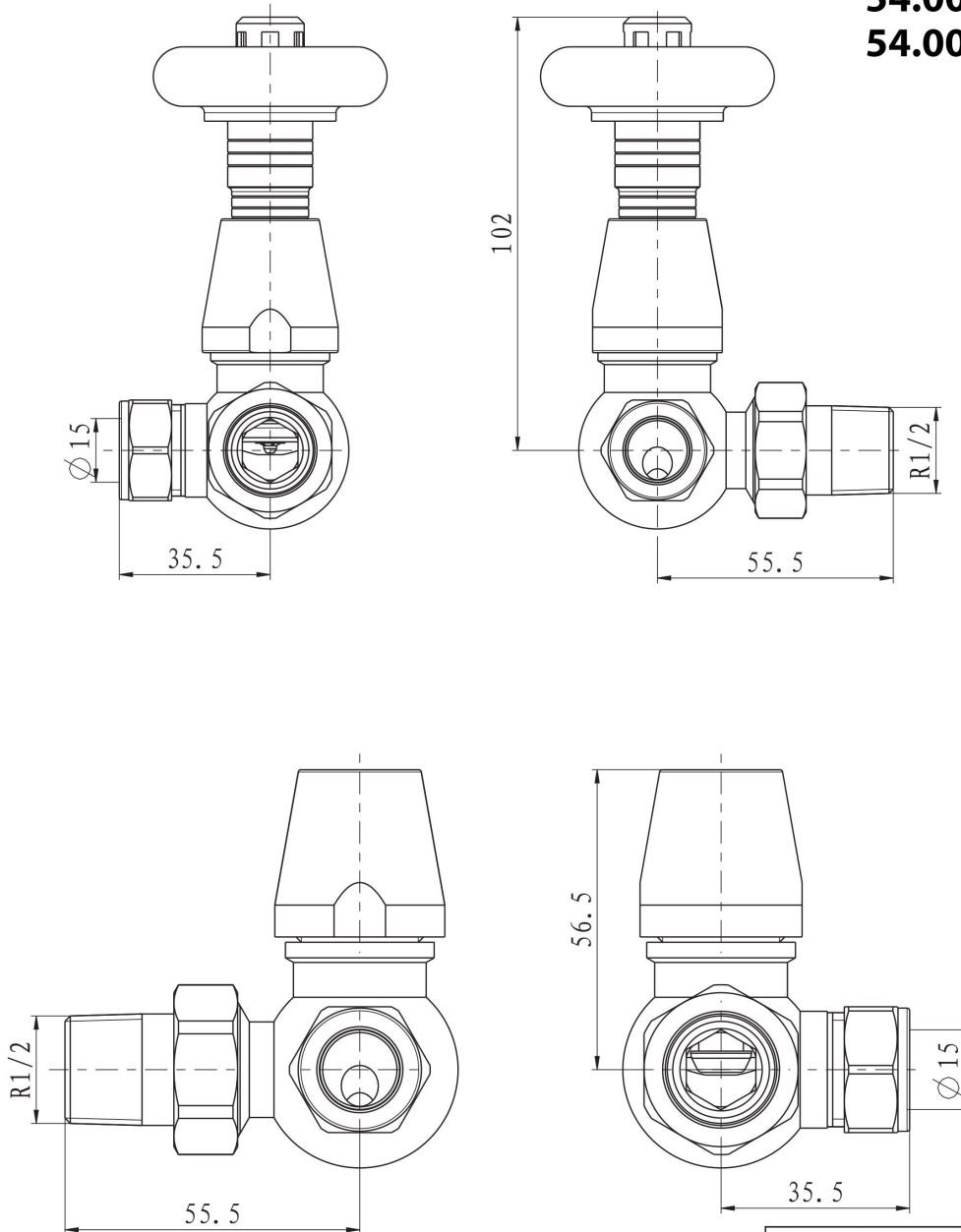
## Drawing

### 15mm. Corner Traditional TRV and Lockshield Valve Technical Drawing

**54.0035**

**54.0036**

**54.0037**



**Eastbrook**   
Eastbrook Road, Gloucester GL4 3DB  
Technical Helpline : 01452 317890  
Mon - Fri / 8am - 5pm  
Email : [technical@eastbrookco.com](mailto:technical@eastbrookco.com)