

DATASHEET

Image



General Information

Product:	41.1007
Description:	Leadon 940 x 700
Website Link:	(Click Here)
Product Type:	Towel Rail
Brand:	Eastbrook Company
Colour:	Chrome/Gloss White
Material:	Mild Steel
Height (mm):	940mm
Width (mm):	700mm
Net Weight (kg):	18.2kg
Product Range:	Leadon

Product Specifications

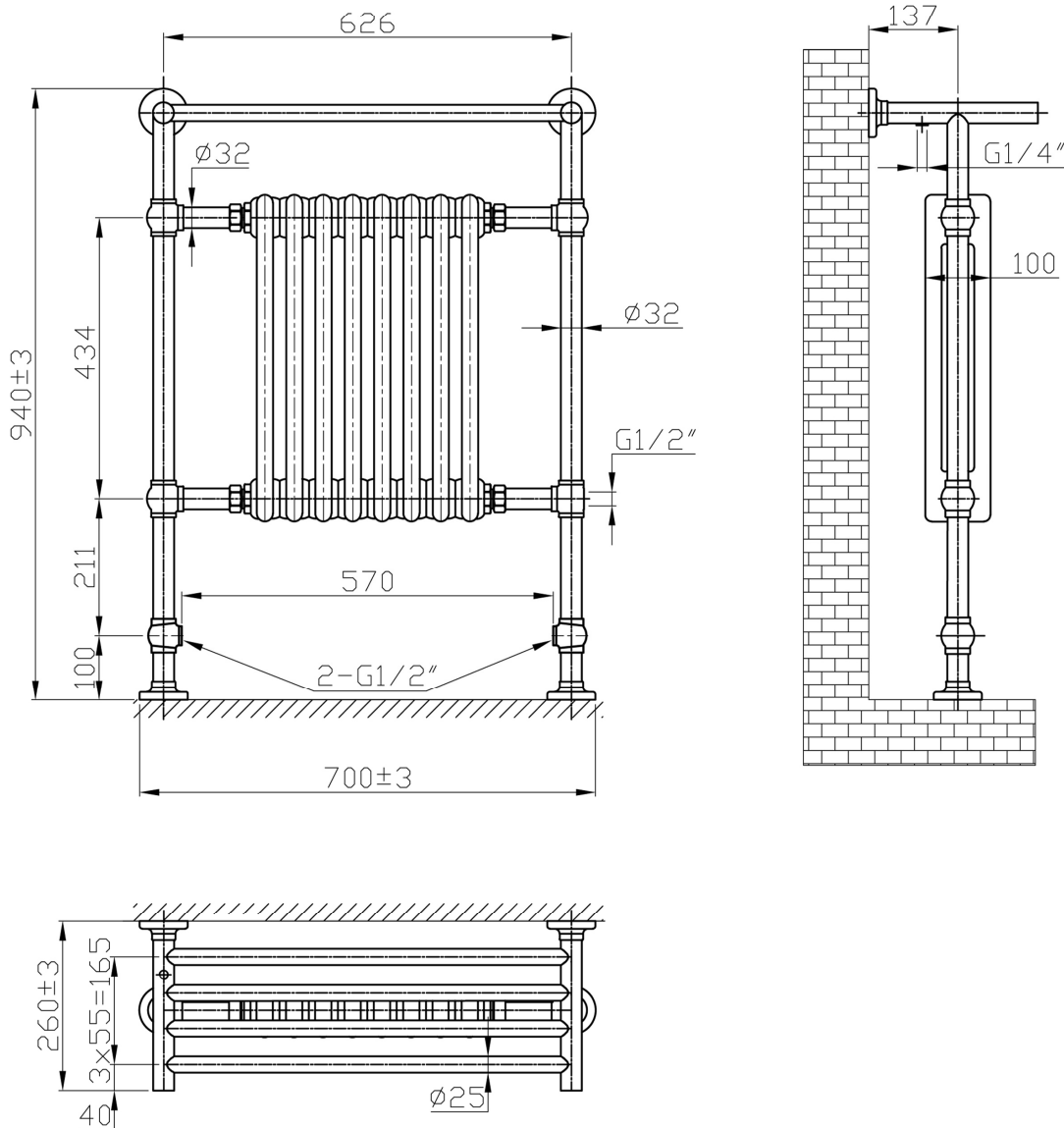
Warranty:	5 Year(s)
Supplied with fixings:	Yes
Orientation:	Floor Standing
BTU $\Delta T50^{\circ}\text{C}$:	2391
BTU $\Delta T60^{\circ}\text{C}$:	3061
Watts $\Delta T50^{\circ}\text{C}$:	701
Watts $\Delta T60^{\circ}\text{C}$:	897

Drawing

41.1007 Leadon technical drawing

The TRADITIONAL Range

Unit: mm



Tappings : 570mm.
Tappings from wall : 137mm.
Distance from wall : 260mm.

This product should be fitted by a fully qualified installer.



Eastbrook Road, Gloucester GL4 3DB
Technical Helpline : 01452 317890
Mon - Fri / 8am - 5pm
Email : technical@eastbrookco.com