
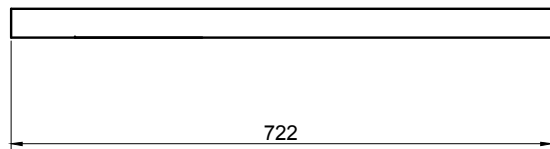
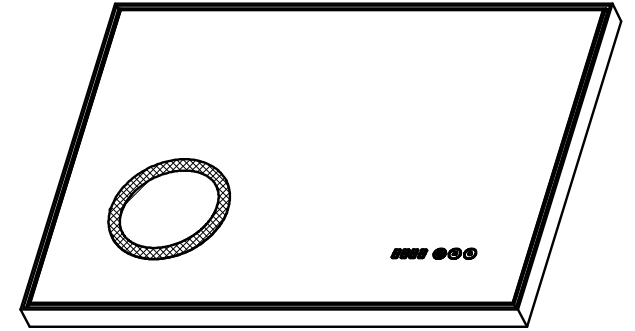
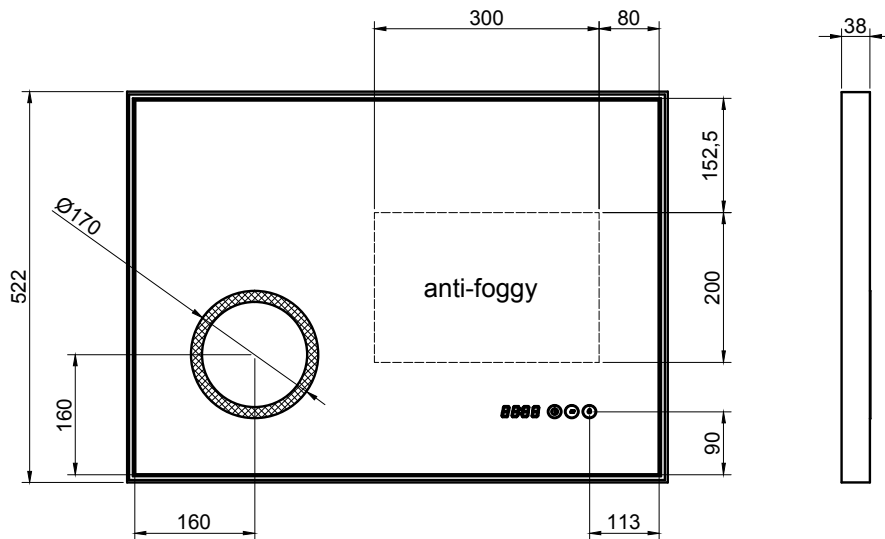


Critical Dimension Most important dimensions	Perspective drawing 	Tolerance grade not noted	Basic size	0 < a ≤ 6	6 < a ≤ 30	30 < a ≤ 120	120 < a	Note the Angle tolerance
			Tol Value	±0.1	±0.3	±0.5	±1	±1°



Technical requirements:

- 1、 Size: 722* 522 * 38mm .
- 2、 4MM copper free silver mirror , sanding edge with PC stip .
- 3、 Clock system , Sensor touch control, anti-foggy .
- 4、 LED 2835 lighting temperature of 6400k+/-300 white .
- 5、 Watt: 36W, Lumen specification: 3860 lumen .
- 6、 Input: 220~240V , output: DC12V .

					Trade name		Material	
					Drawing NO.		Page 1/A total of 1 page	
					Design		Auditor	
					Proofread		Ratify	
					Date			
Version	Quantity	ECN number	Modifier	Date	Statement: This the graph is confidential, copyright owned by ORI, without the written permission of the company shall not use, copy, or show other people		Theoretical weight[g]	
							Client Version	
							Version NO.	
							Drawing Units	
							mm	
							Proportion	
					Theoretical volume[cm ³]			
					Theoretical area[cm ²]			
					Superficial area[cm ²]			

Orient Resource Corporation Limited
 #8 of Xinling Road, Xiaolong village, Shiji Town, Panyu district, Guangzhou city, Guangdong Province, China.