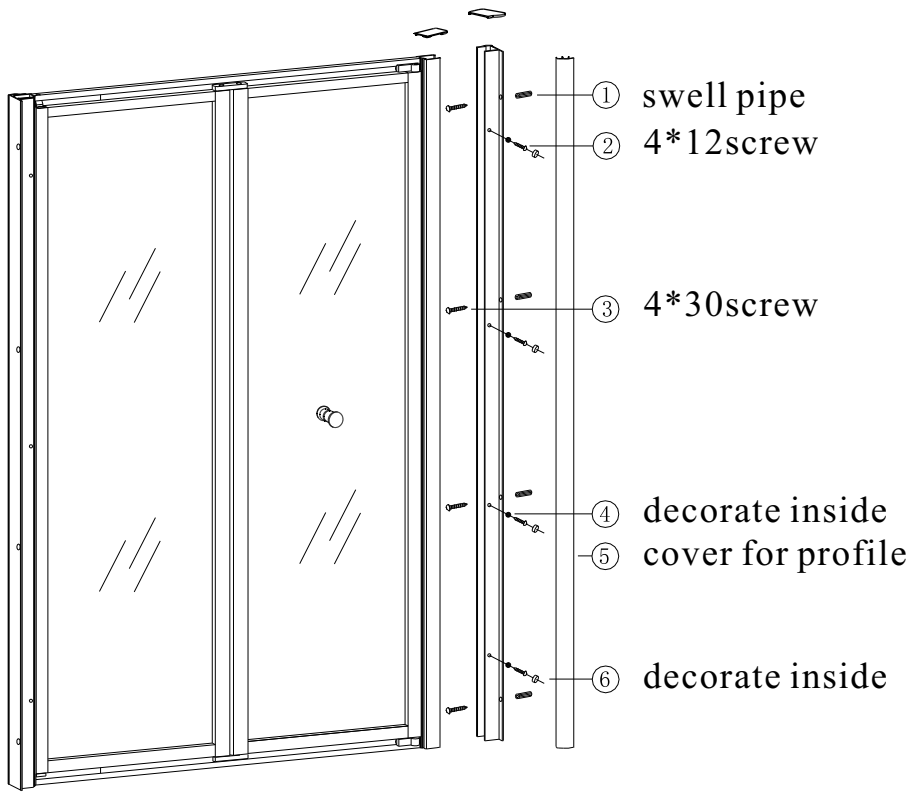
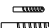


Installation Manual



TOOLS REQUIRED


 (Ø6, Ø3.2) DRILL BIT


 PENCIL

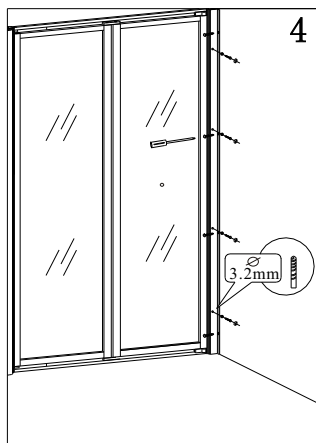
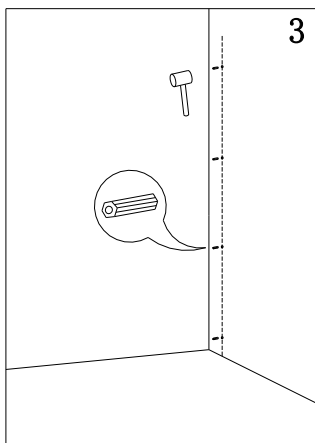
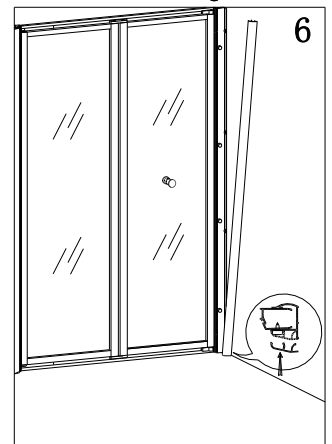
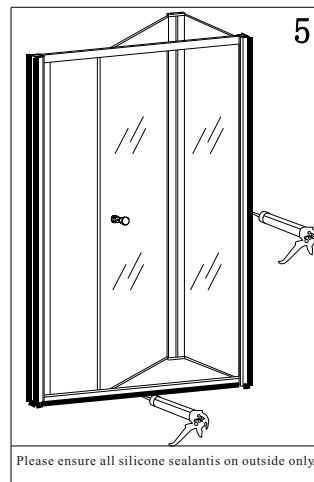
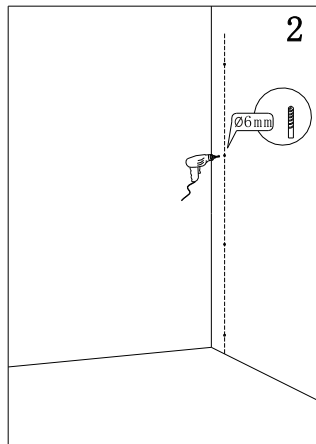
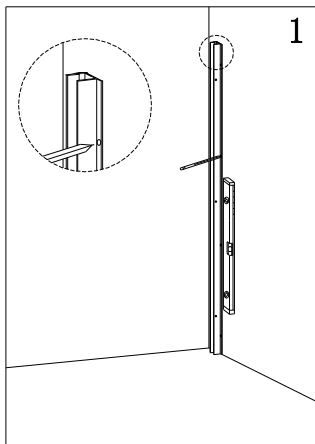

 SILICONE & GUN


 FLAT HEAD & CROSS HEAD SCREWDRIVER


 DRILL


 RUBBER HAMMER


 SPIRIT LEVEL



Cleaning & Maintenance

Don't clean the shower enclosure with irritant detergent such as alcohol, bleach or other chemical cleaners.

Only clean with warm soapy water.

After the installation is completed, should you find that there is notable noise when the glass door moves, you may add a small quantity of lubricant onto the roller wheel, slipping hook and the track.

Helpline: 01452 317890

Please ensure silicone sealant is on the outside only.