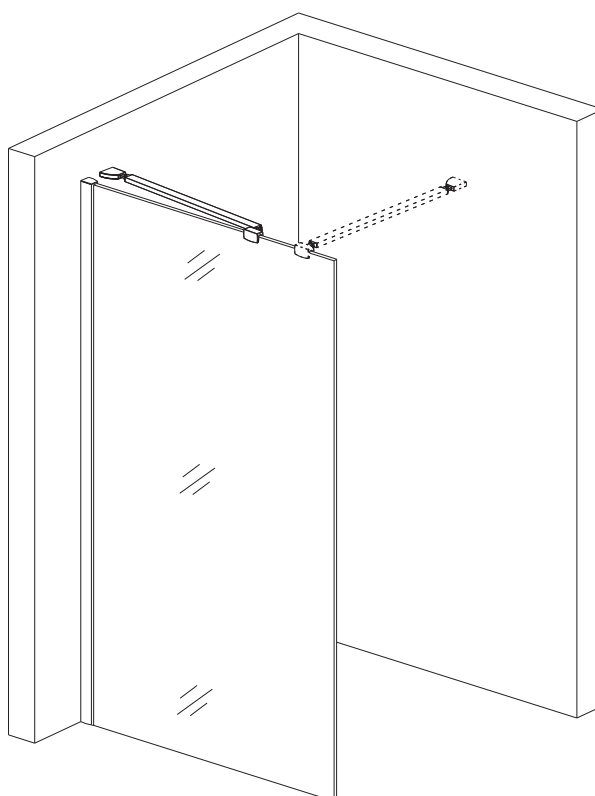


# INSTALLATION MANUAL

## VALIANT AND VOLENTE WALK IN PANELS

Eastbrook Code	Adjustment	Eastbrook Code	Adjustment
58.611	880-900	58.354	660-680
58.612	985-1000	58.355	720-740
58.613	1180-1200	58.356	760-780
58.614	680-700	58.357	860-880
58.615	740-760	58.358	960-980
58.616	780-800	58.589	480-500
58.688	480-500		

This product should only be fitted by a fully qualified installer.



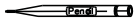
This product must be unpacked and checked for quality prior to installation.

Any missing parts or damage must be reported to your supplier within 10 days of purchase and before installation.

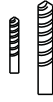
No claims can be enforced outside of these terms.



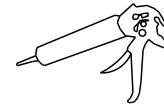
# TOOLS REQUIRED



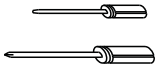
Pencil



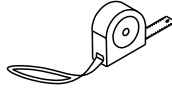
( $\varnothing 6, \varnothing 3, 2$ ) Drill bit



Silicone gun



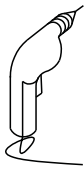
Flat and cross  
screwdriver



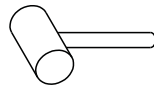
Tape measure



Spirit level

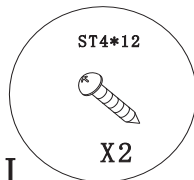
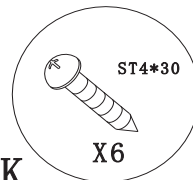
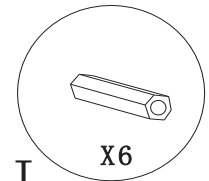
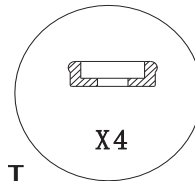
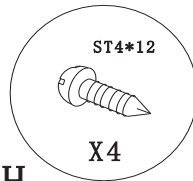
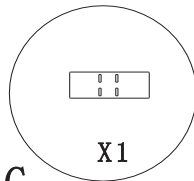
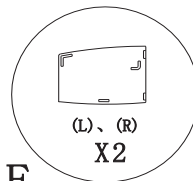
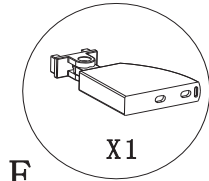
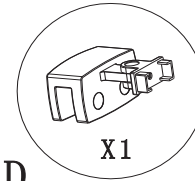
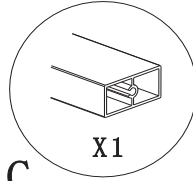
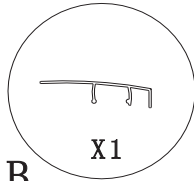
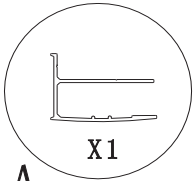


Electric drill



Rubber hammer

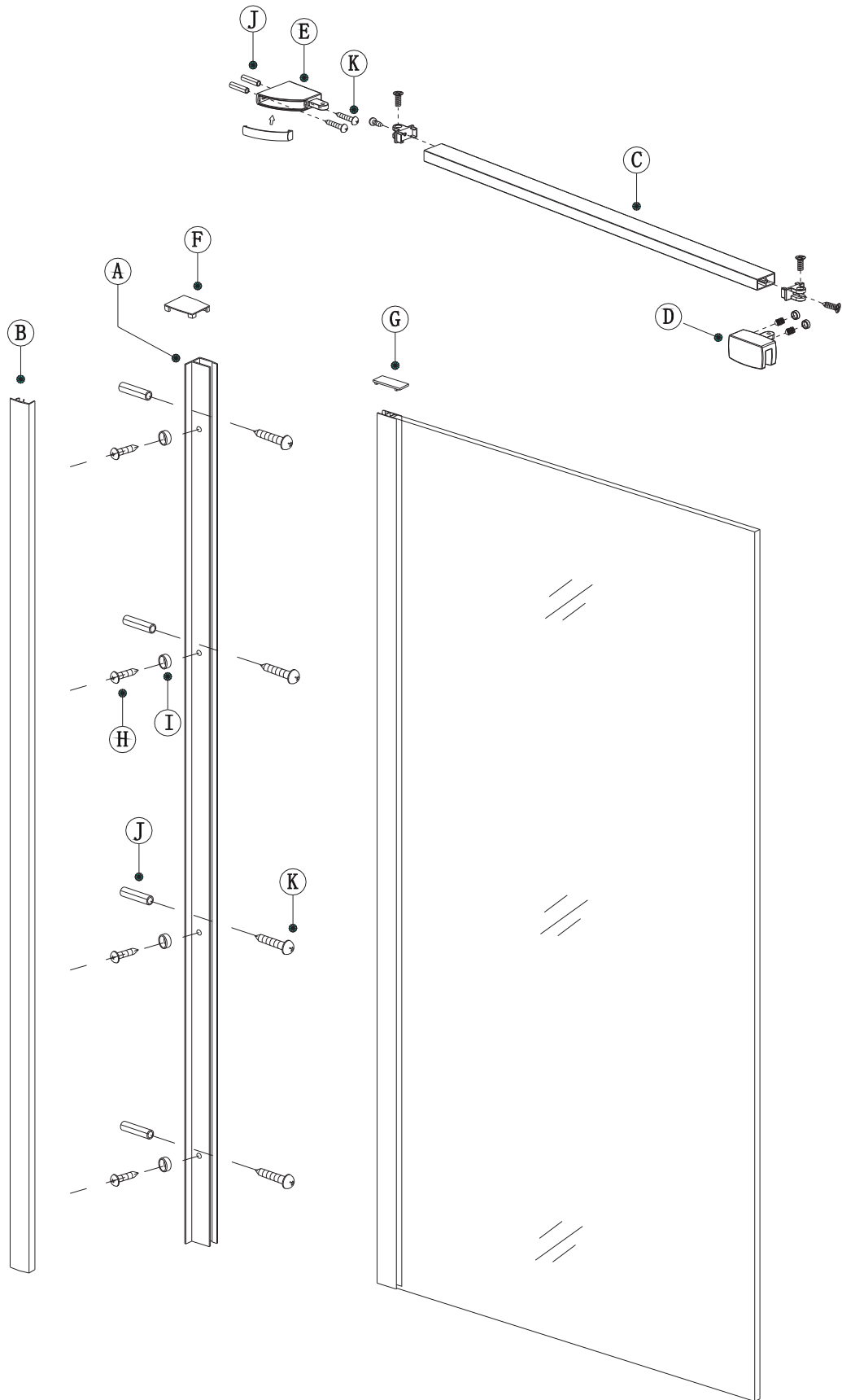
## LIST OF SPARE PARTS



Please make the following checks before connecting the installation:

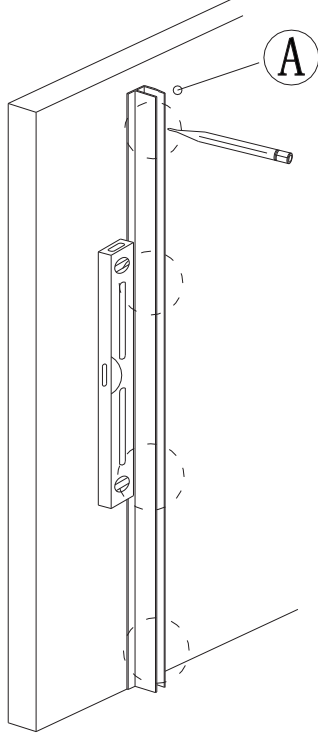
- The product supplied is the required size and the adjustment is compatible with the site situation.
- Check all component parts are present, see packing list and product schematic diagram for reference.
- Make sure you have all the required tools.

# PRODUCT SCHEMATIC DIAGRAM



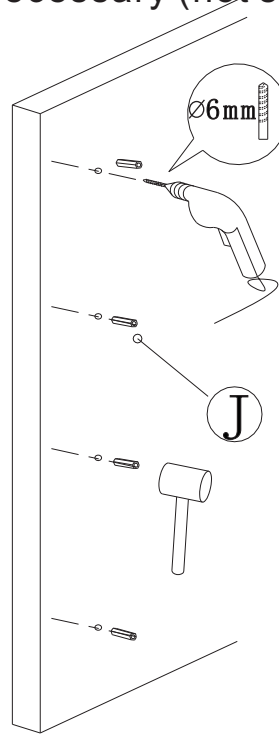
1

Dry fit required for best position to connect wall profile.



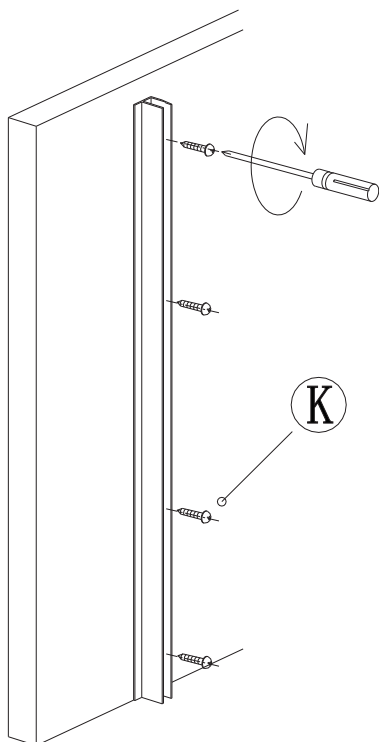
2

Drill holes and fit wall plugs if a solid wall substitute for hollow wall fixings if necessary (not supplied).



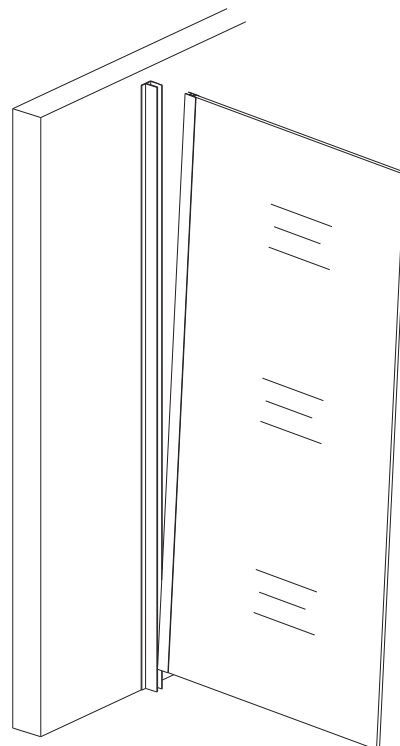
3

Screw wall profile **A** to wall with ST4\*30 **K** screws.



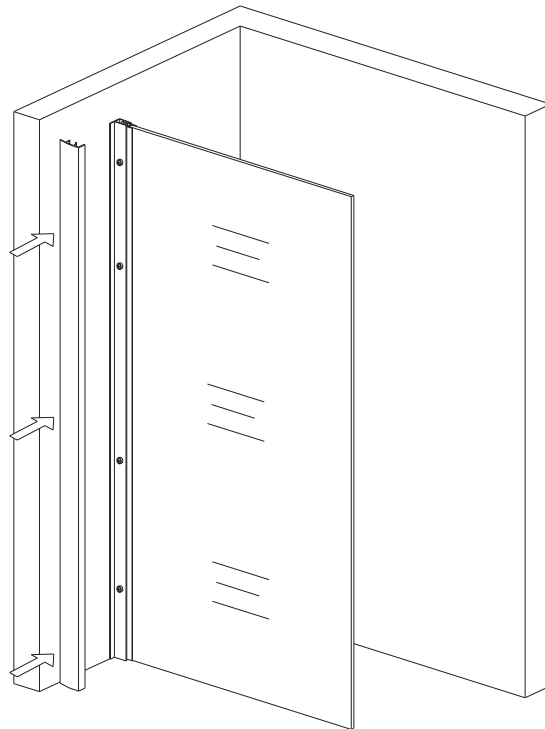
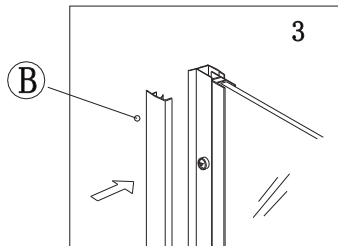
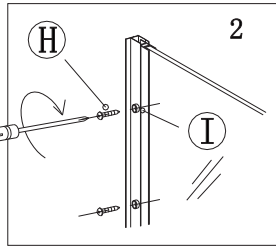
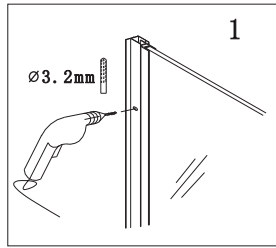
4

Fit panel into wall profile.



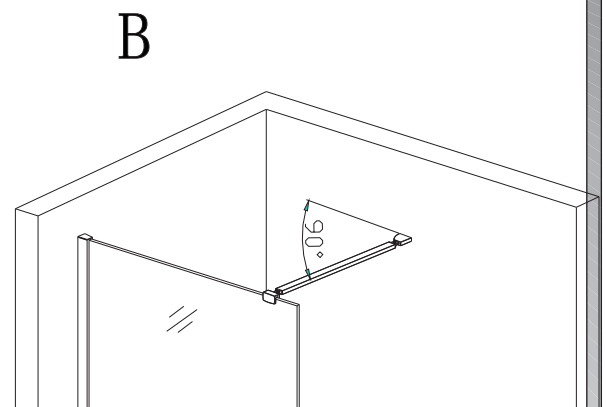
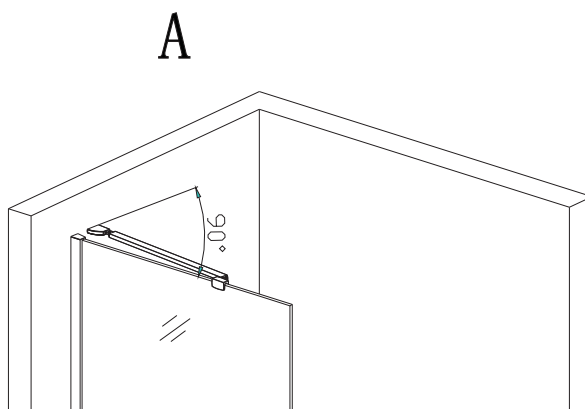
5

Drill guide holes into profile attached to glass panel with 3.2mm drill bit through existing holes in wall profile at chosen adjustment and secure with washer (I) and ST4\*12(H) screws provided. Push screw cover profile (B) onto washers.

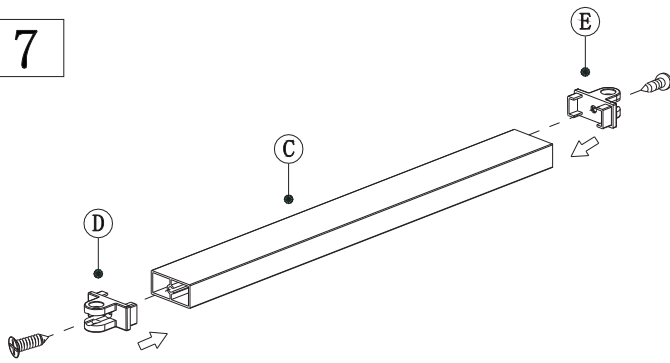


6

Choose required position for wall support bar.

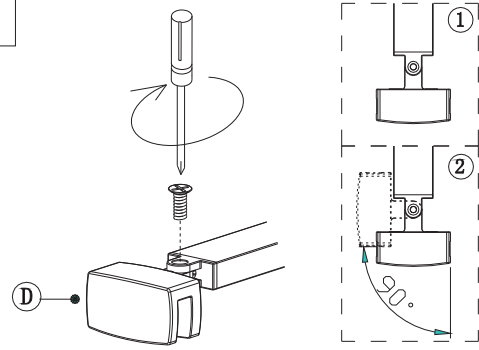


7



Cut bar **C** to correct length.  
Separate wall bracket **D** and **E** into component parts and attach to bar **C** with screws provided.

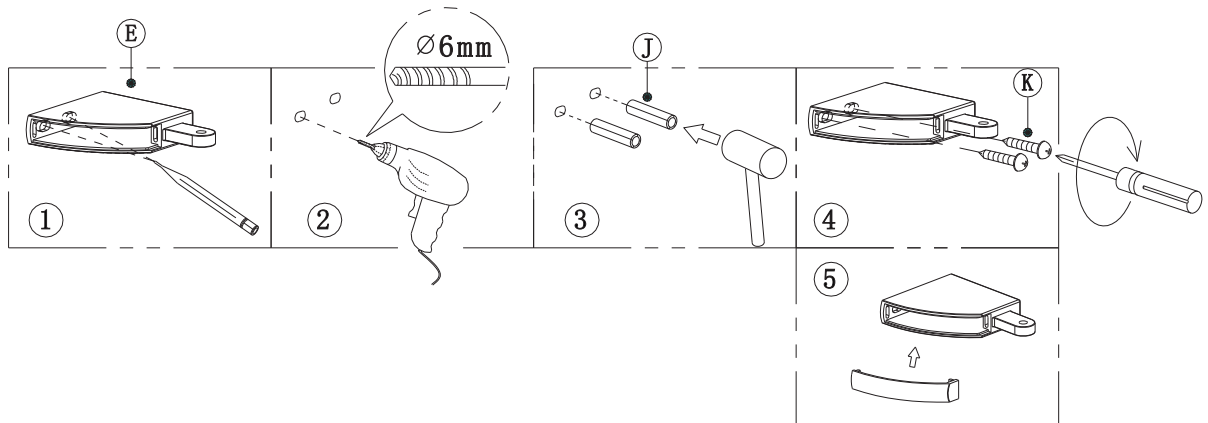
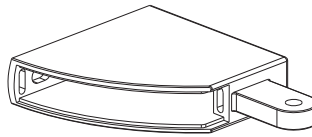
8



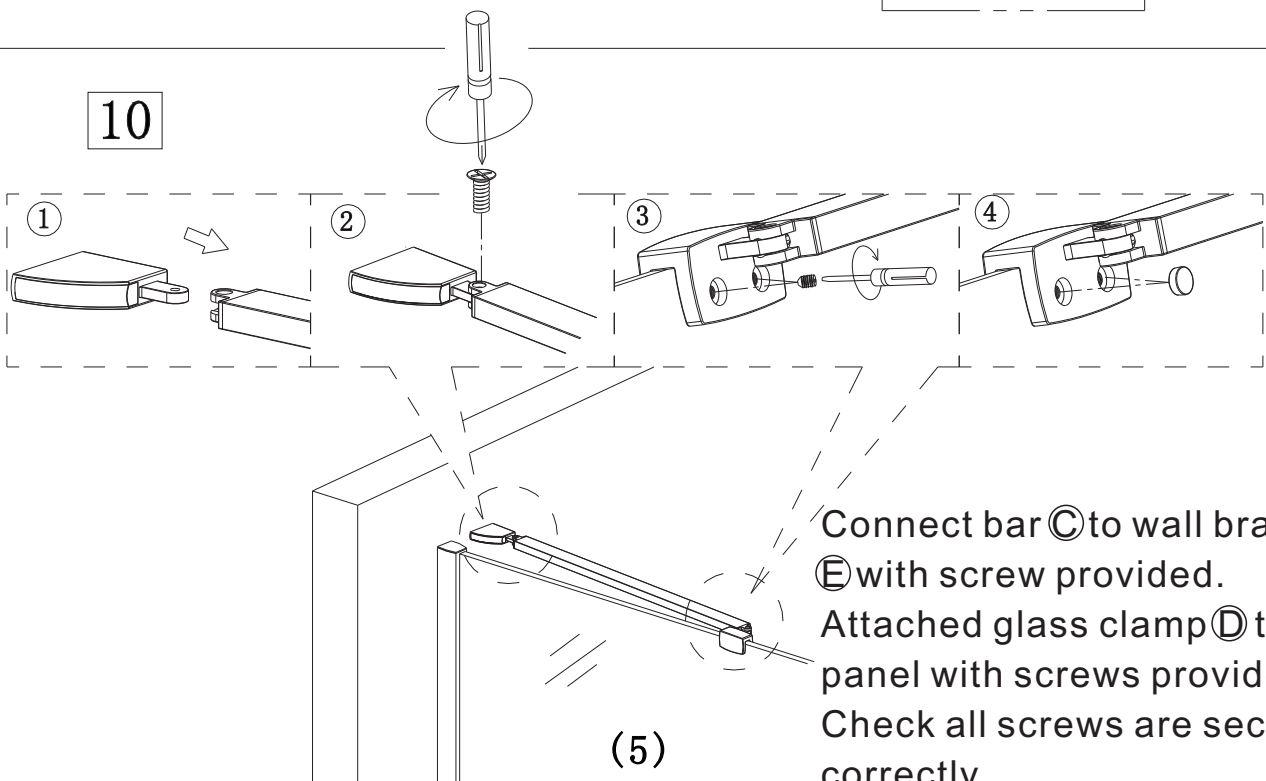
Attach brackets **D** & **E** to bar ensuring **D** is in the correct position, and fix with screws supplied.

Fit support bar wall bracket **E** in position required with ST4\*30 **K** screws provided.  
Substitute wall plugs **J** for hollow wall fixings if necessary.

9

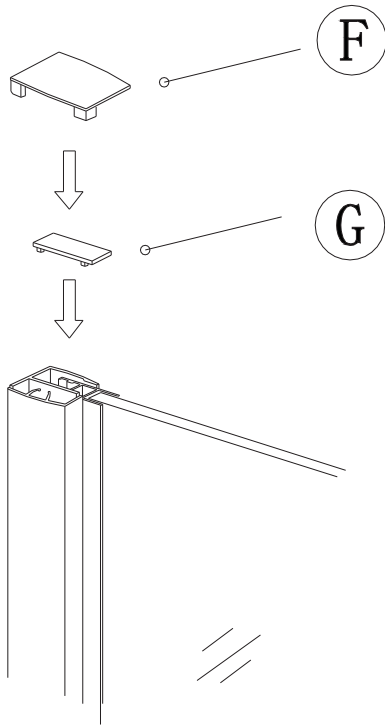


10



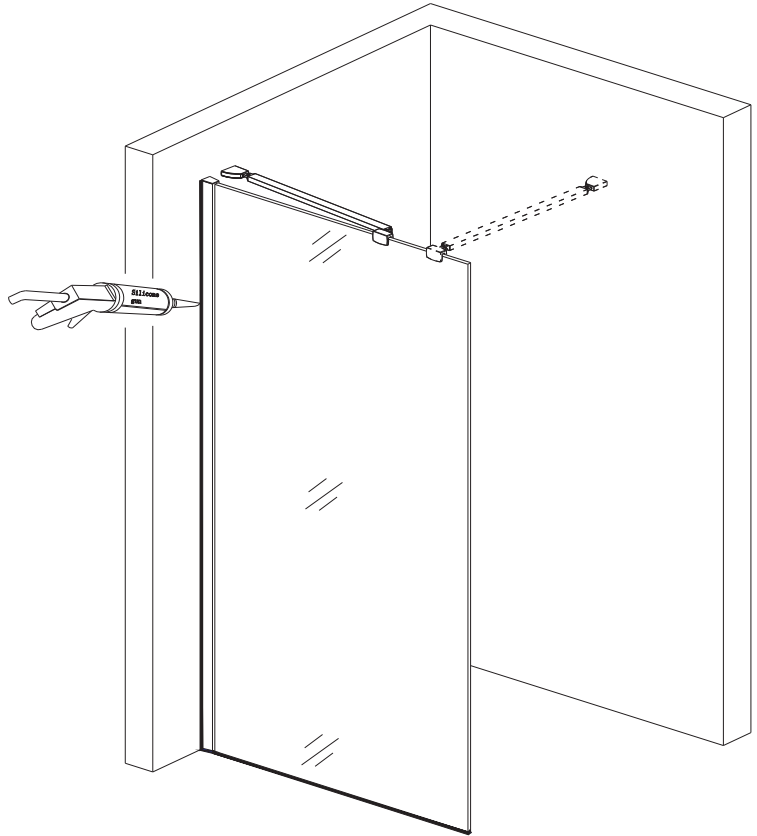
Connect bar **C** to wall bracket **E** with screw provided.  
Attached glass clamp **D** to panel with screws provided.  
Check all screws are secured correctly.

11



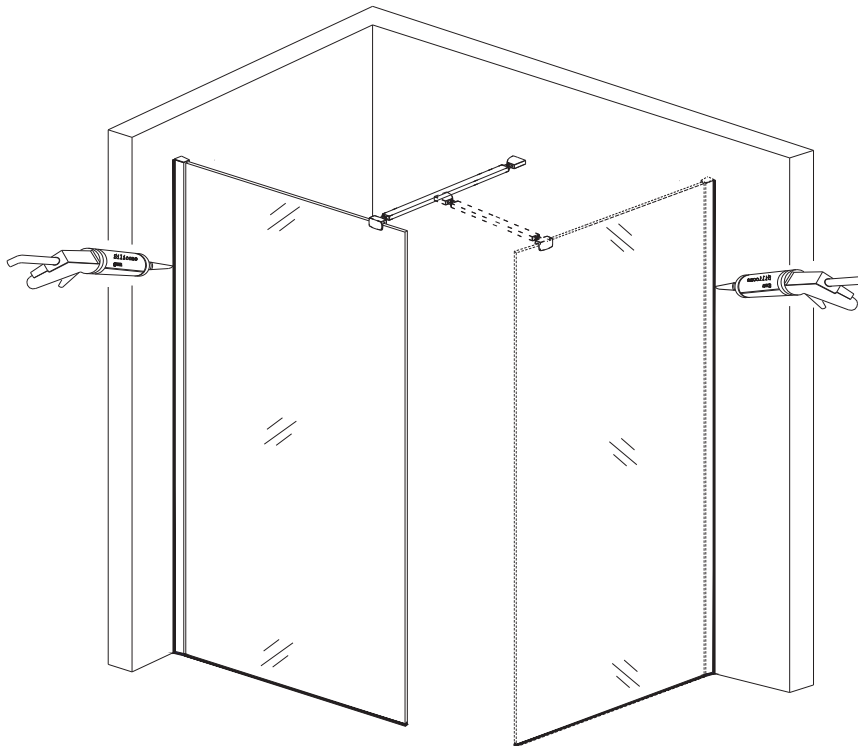
Fit wall profile corner caps  
G and F.

12



Silicone as illustrated ensuring silicone sealant is on the outside only.

13



Silicone as illustrated ensuring silicone sealant is on the outside only.

## **Cleaning & Maintenance**

Don't clean the shower enclosure with irritant detergent such as alcohol, bleach or other chemical cleaners.

Only clean with warm soapy water .

Helpline:01452 317890