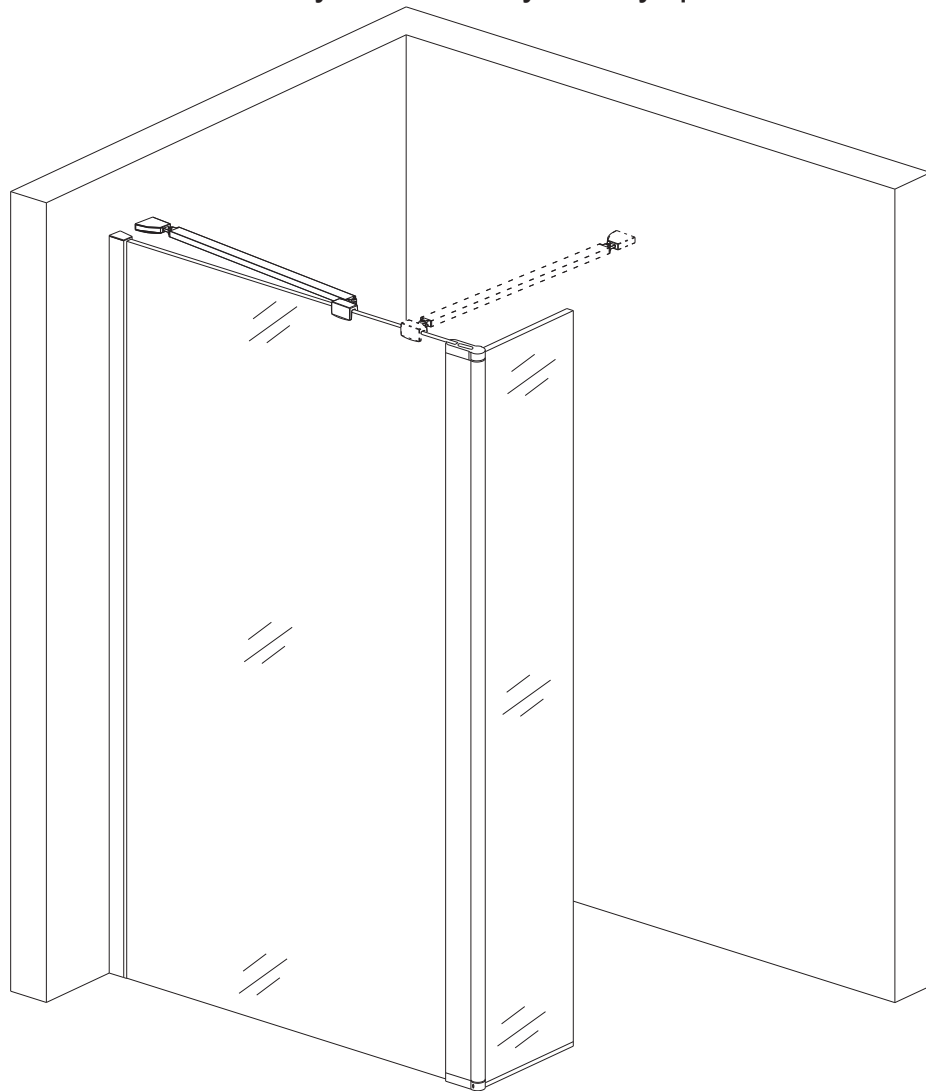


# INSTALLATION MANUAL

## VALLIANT WALK IN FRONT C/W 300 FLIPPER

Eastbrook Code	Adjustment	Eastbrook Code	Adjustment
58.350	580-600	58.352	880-900
58.351	780-800	58.353	1180-1100
58.690	1180-1200		

This product should only be fitted by a fully qualified installer.



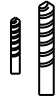
This product must be unpacked and checked for quality prior to installation.

Any missing parts or damage must be reported to your supplier within 10 days of purchase and before install. No claims can be enforced outside of these terms.

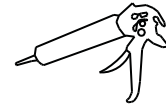
# TOOLS REQUIRE



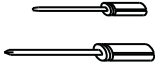
pencil



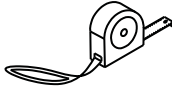
( $\phi 6.0 \times 3.2$ ) Drill Bit



Silicone gun



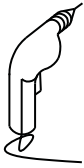
Flat and cross  
screwdriver



Tape measure



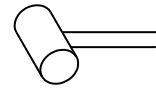
Spirit level



Electric Drill

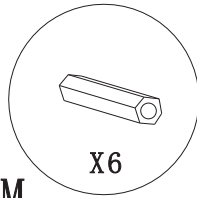
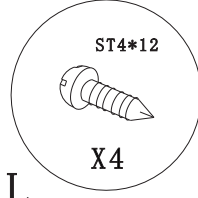
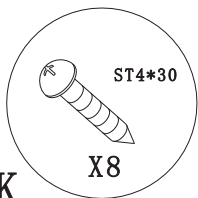
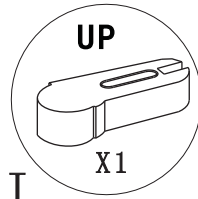
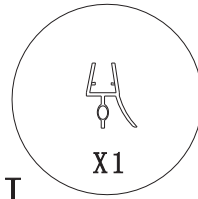
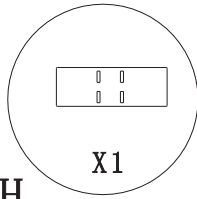
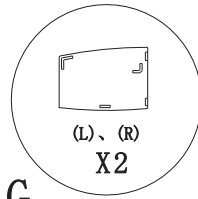
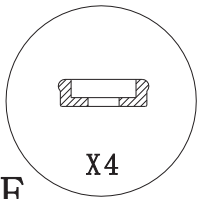
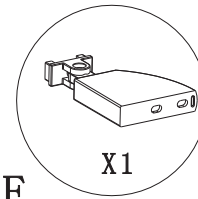
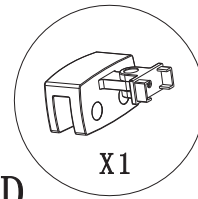
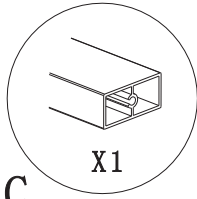
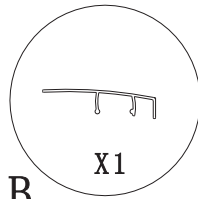
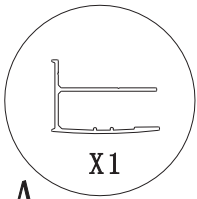


Spanner



Rubber hammer

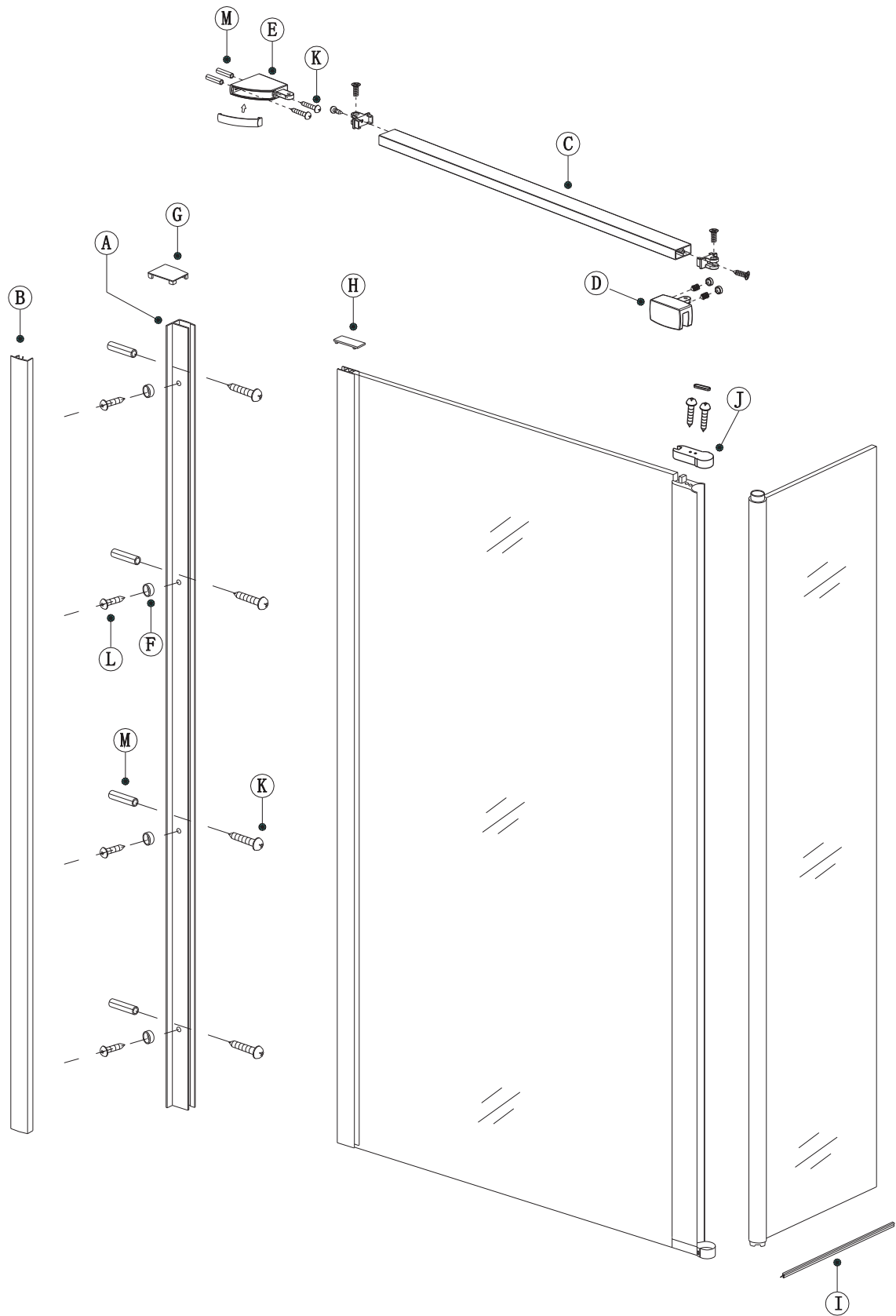
## LIST OF SPARE PARTS



Please make the following checks before connecting the installation:

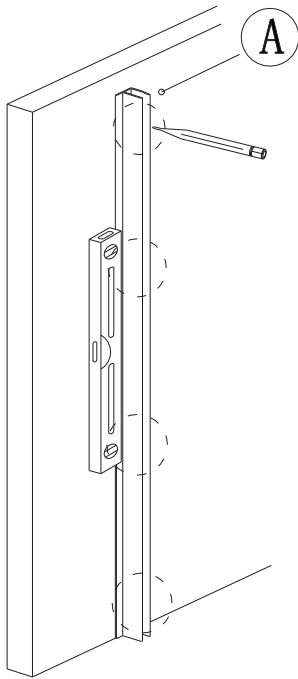
- The product supplied is the required size and the adjustment is compatible with the site situation.
- Check all component parts are present, see packing list and product schematic diagram for reference.
- Make sure you have all the required tools.

# PRODUCT SCHEMATIC DIAGRAM



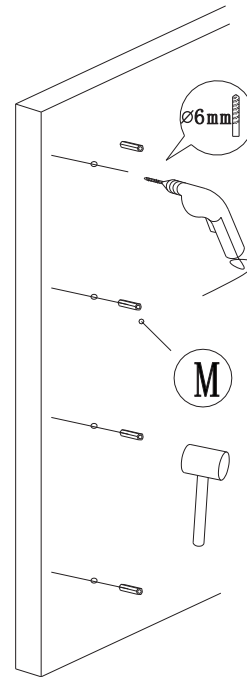
1

Dry fit required for best position to connect wall profile.



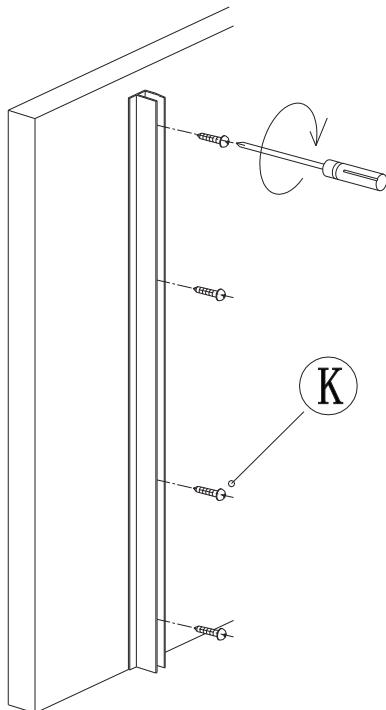
2

Drill holes and fit wall plugs if a solid wall substitute for hollow wall fixings if necessary (not supplied).



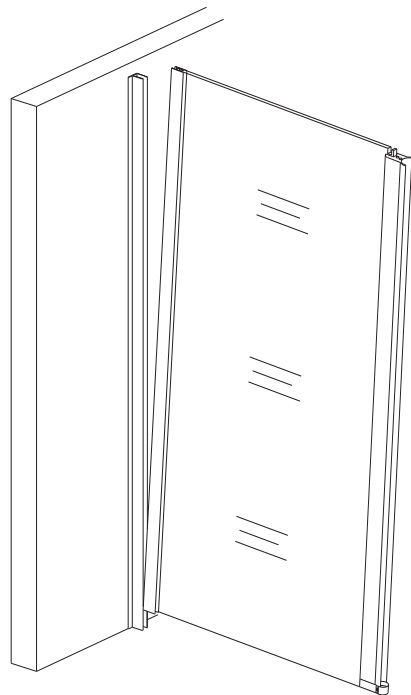
3

Screw wall profile **A** to wall with ST4\*30 **K** screws.

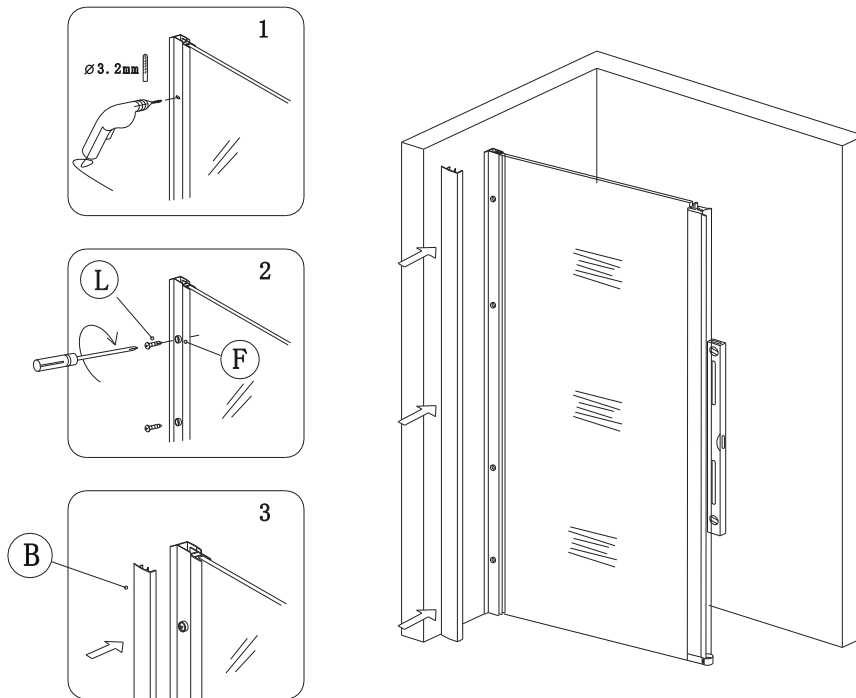


4

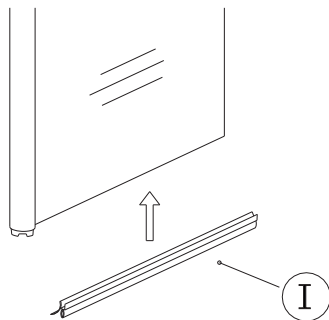
Fit panel into wall profile.



- 5** Drill guide holes into profile attached to glass panel with 3.2mm drill bit through existing holes in wall profile at chosen adjustment and secure with washer **(D)** and ST4\*12 **(H)** screws provided. Push screw cover profile **(B)** onto washers.

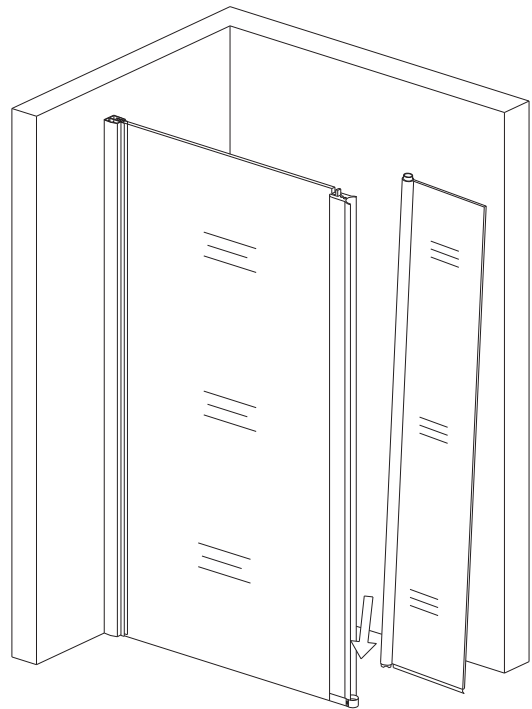


**6**



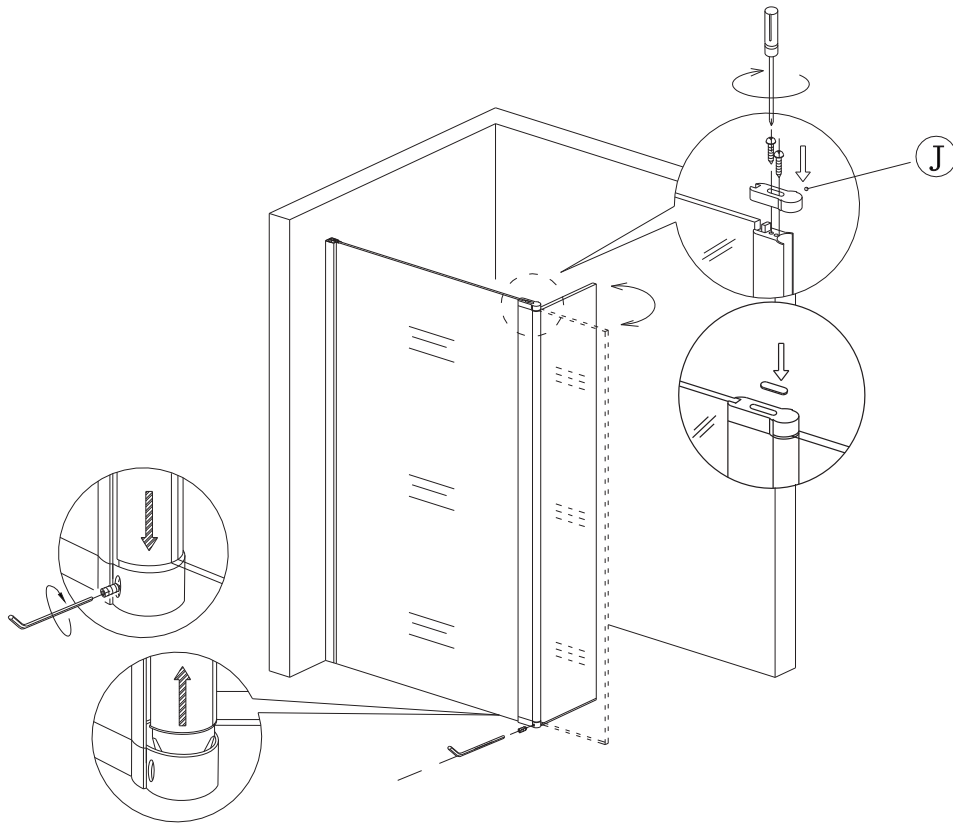
Fit seal **(D)** onto end of flipper panel with the cam hinge.

**7**



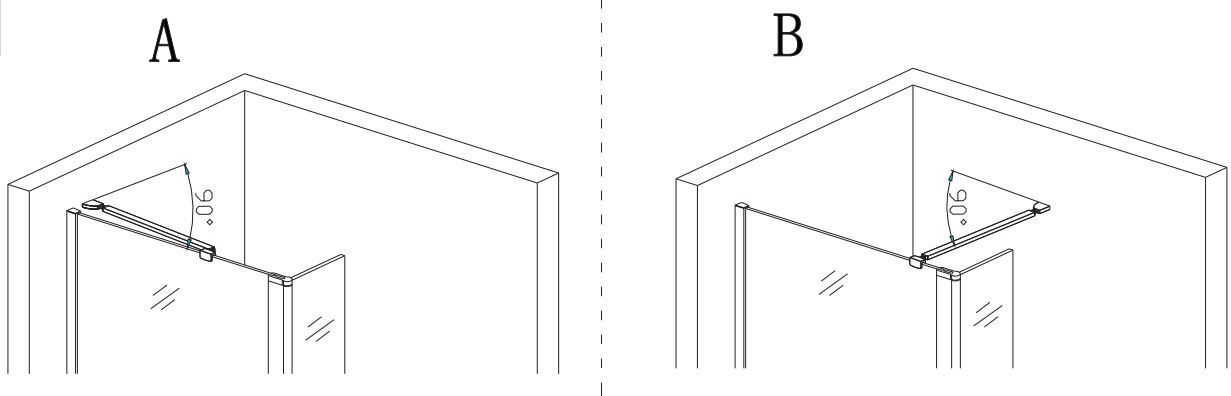
Place end of flipper with cam hinge into extrusion on the end of main screen.

8



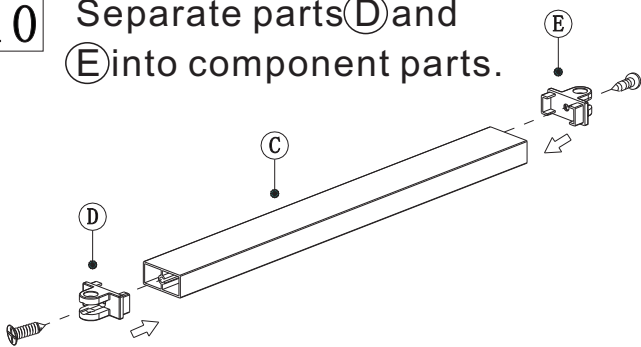
Tighten grub screw in bottom hinge whilst flipper screen is in the straight line.  
Fit top hinge **J** whilst screen is in straight line.  
Check bottom rise and fall hinge is operating correctly when flipper is moved.

9



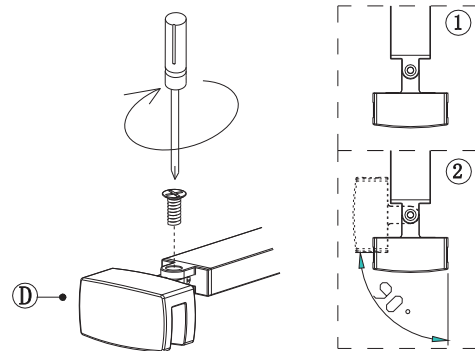
Choose required position for wall support bar.

10 Separate parts **D** and **E** into component parts.



Cut bar **C** to required length and fit wall bar ends with screws provided.

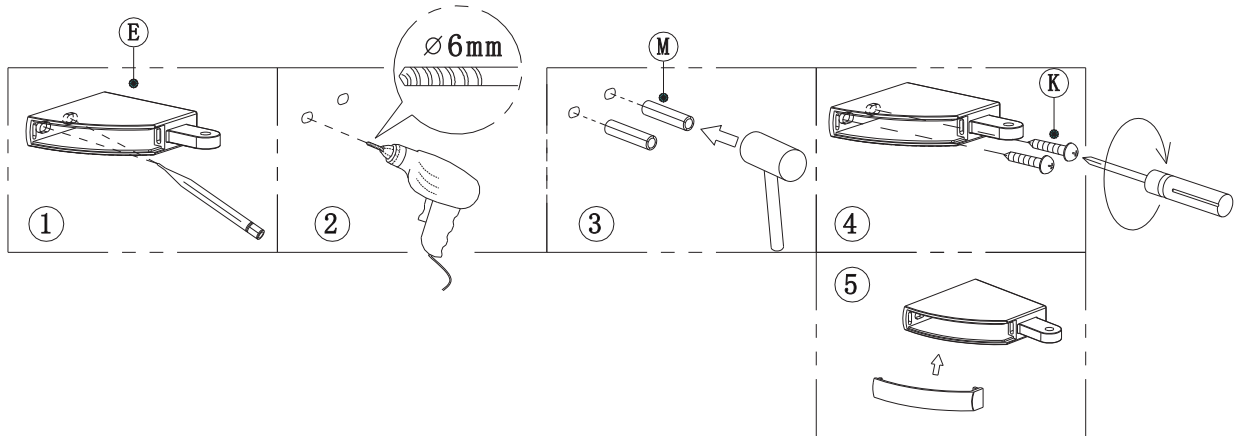
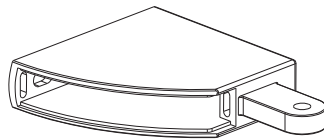
11



Attach the remaining parts of parts **D** and **E** to end of bar and fix with screws.

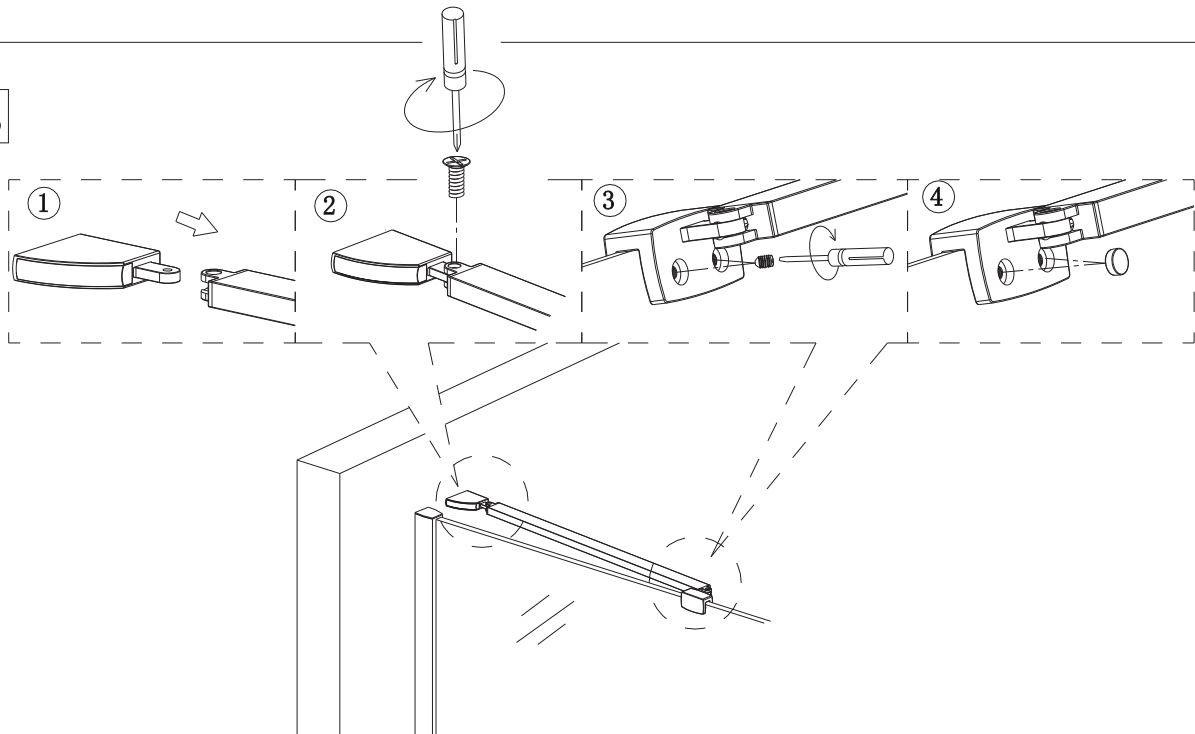
(5)

12



Fit support bar wall bracket **E** in position required with ST4\*30 **K** screws provided.  
 Substitute wall plugs **J** for hollow wall fixings if necessary.

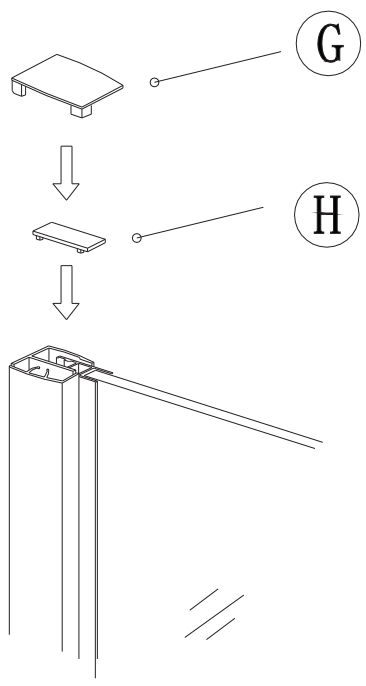
13



Connect bar **C** to wall bracket **E** with screw provided.  
 Attached glass clamp **D** to panel with screws provided.  
 Check all screws are secured correctly.

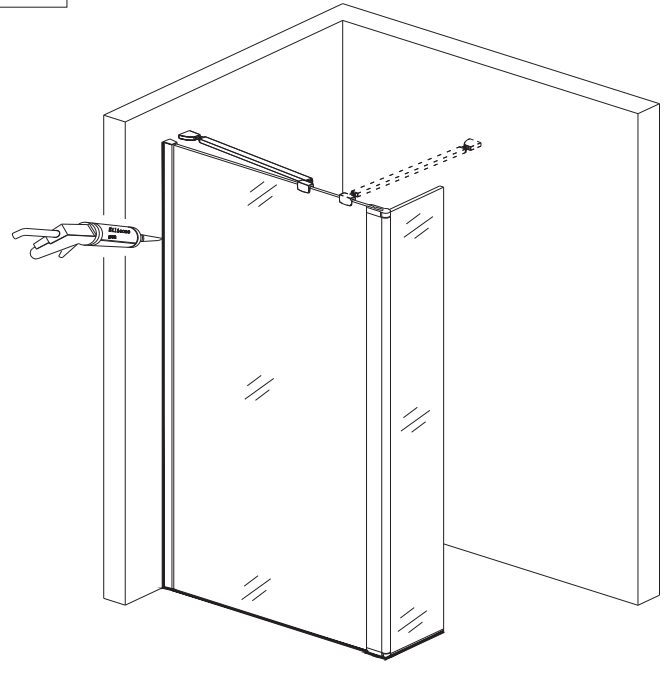
(6)

14



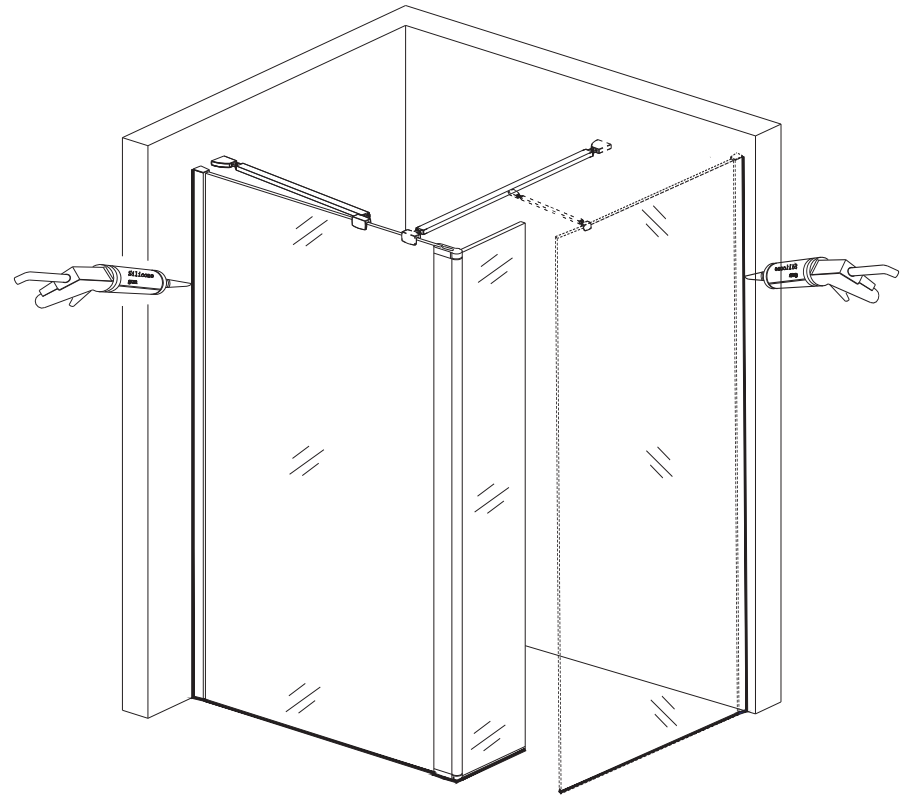
Fit wall profile cover caps  
Ⓒ and Ⓕ.

15



Silicone as illustrated ensuring  
silicone sealant is on the outside only.

16



Silicone as illustrated ensuring silicone sealant is on the outside only.



## **Cleaning & Maintenance**

Don't clean the shower enclosure with irritant detergent such as alcohol, bleach or other chemical cleaners.

Only clean with warm soapy water .

Helpline:01452 317890

(8)