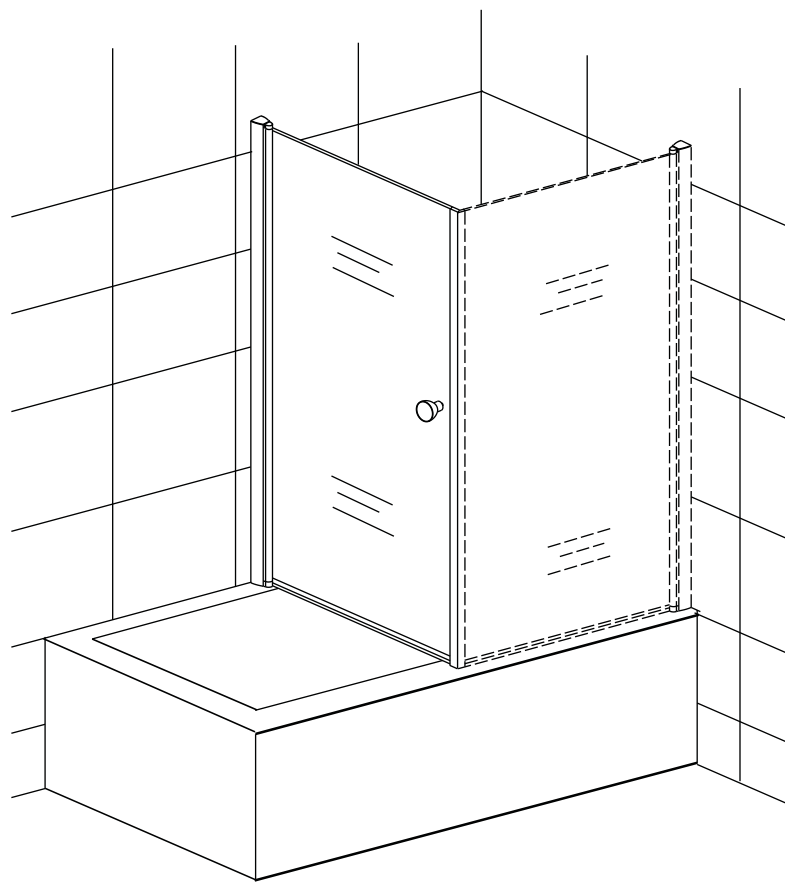


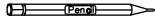
INSTALLATION MANUAL

TYPE 1 SCREEN ACROSS BATH

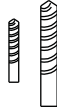
Eastbrook Code	Adjustment	Eastbrook Code	Adjustment
58.716	665-690mm	58.718	765-790mm
58.717	715-740mm	58.719	845-890mm



TOOLS REQUIRED



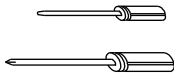
PENCIL



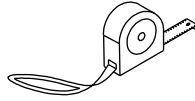
($\varnothing 6$ 、 $\varnothing 3.2$) DRILL BIT



SILICONE & GUN



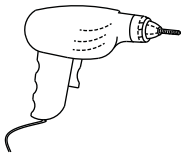
FLAT HEAD & CROSS HEAD SCREWDRIVER



TAPE MEASURE



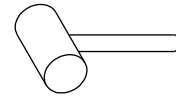
SPIRIT LEVEL



DRILL

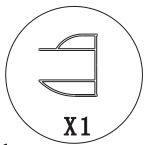


HEXAGON KEY

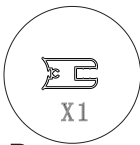


RUBBER HAMMER

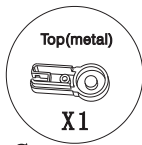
PACKING LIST



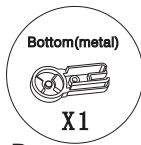
A



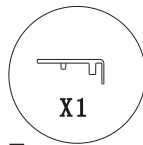
B



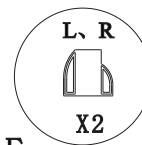
C



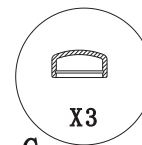
D



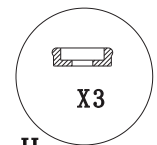
E



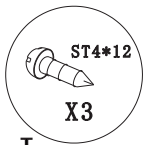
F



G



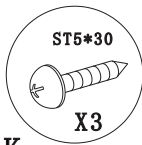
H



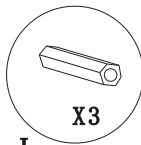
I



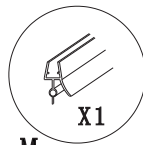
J



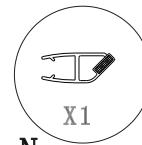
K



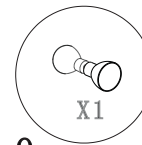
L



M

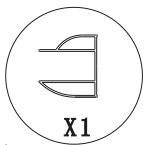


N

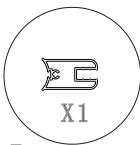


O

FRONT SCREEN



A



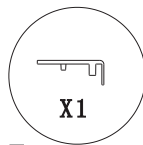
B



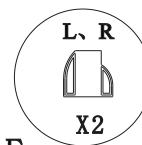
P



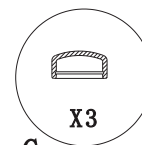
Q



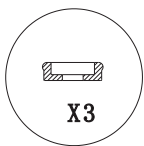
E



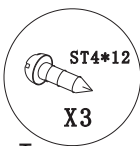
F



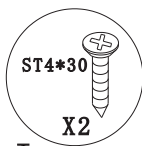
G



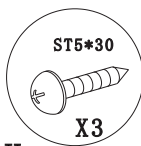
H



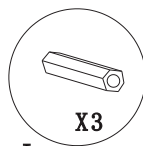
I



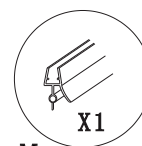
J



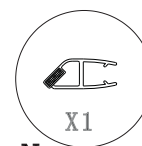
K



L



M

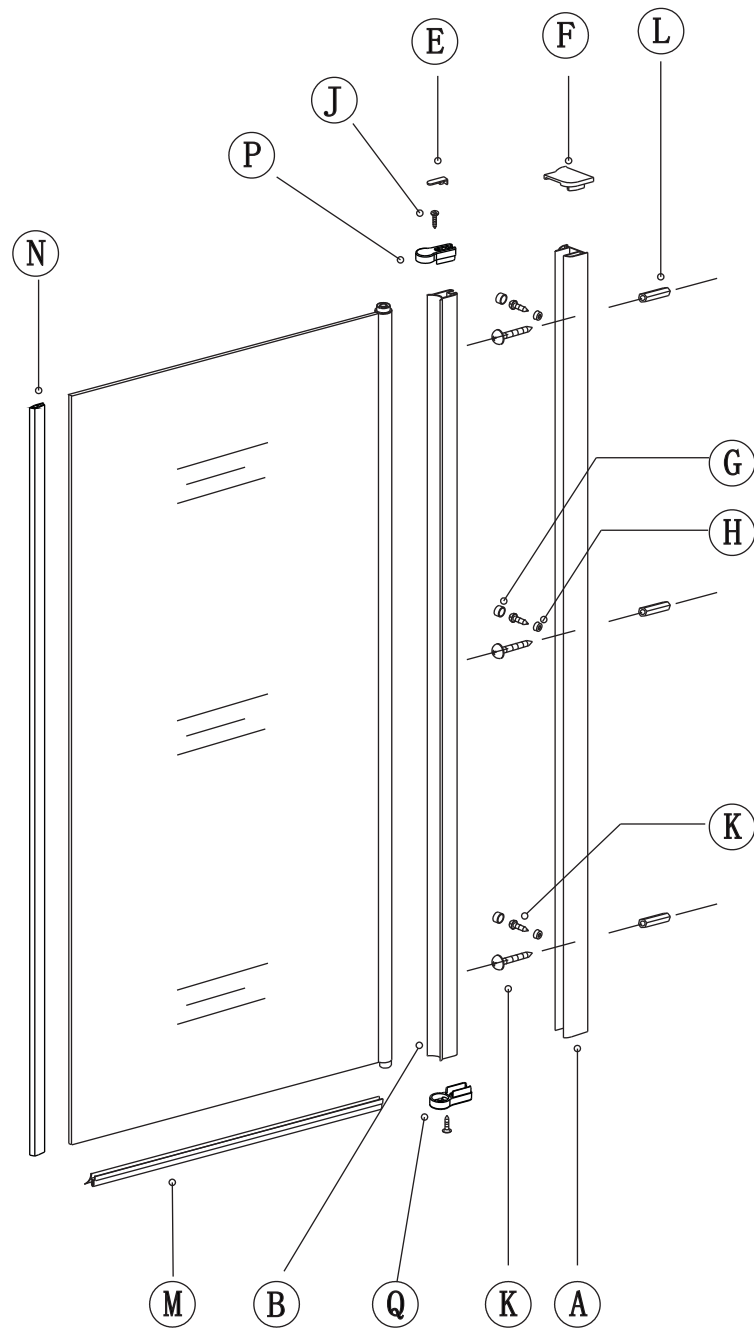


N

SIDE SCREEN

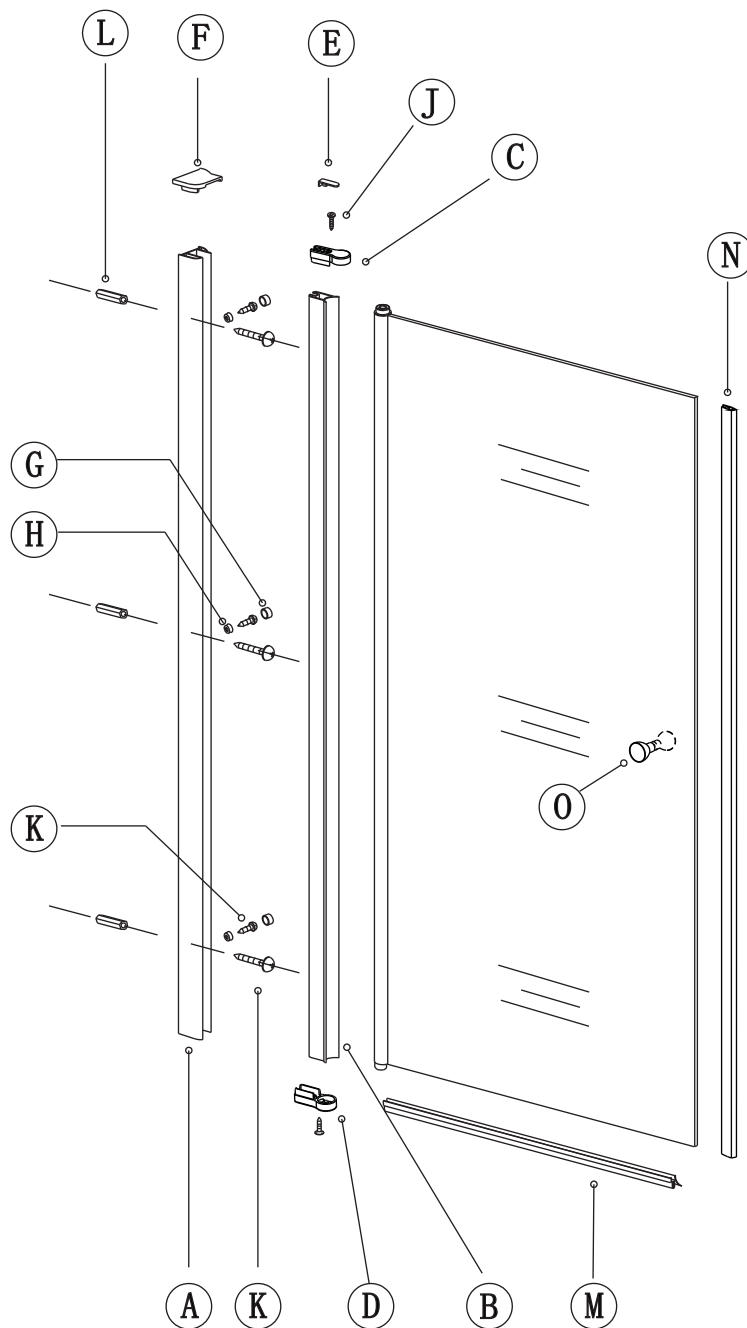
PRODUCT SCHEMATIC DIAGRAM

SIDE SCREEN

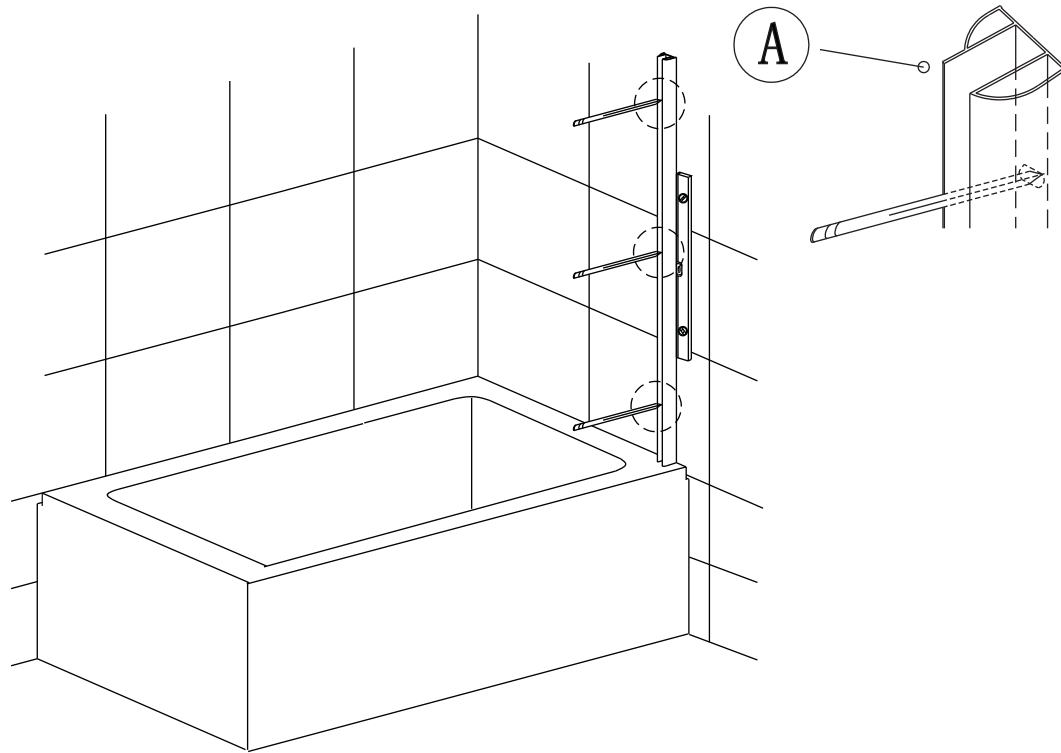


PRODUCT SCHEMATIC DIAGRAM

FRONT SCREEN

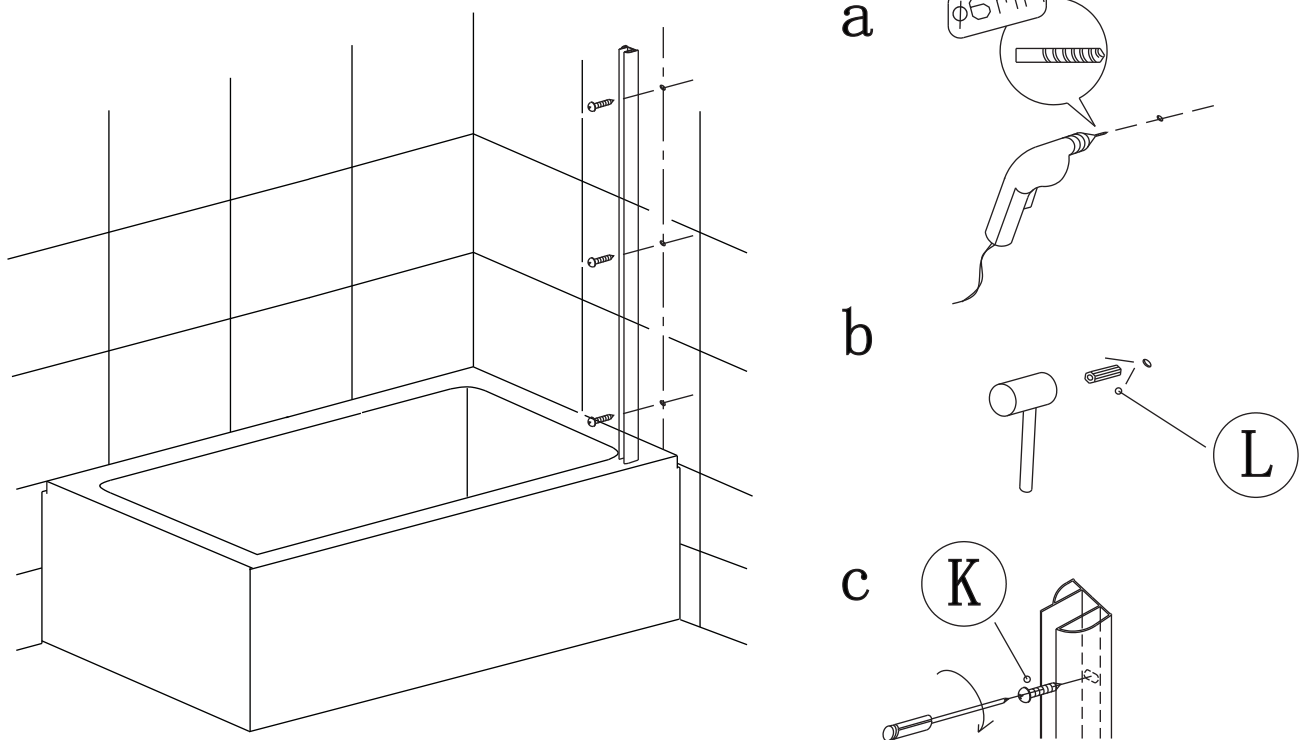


1

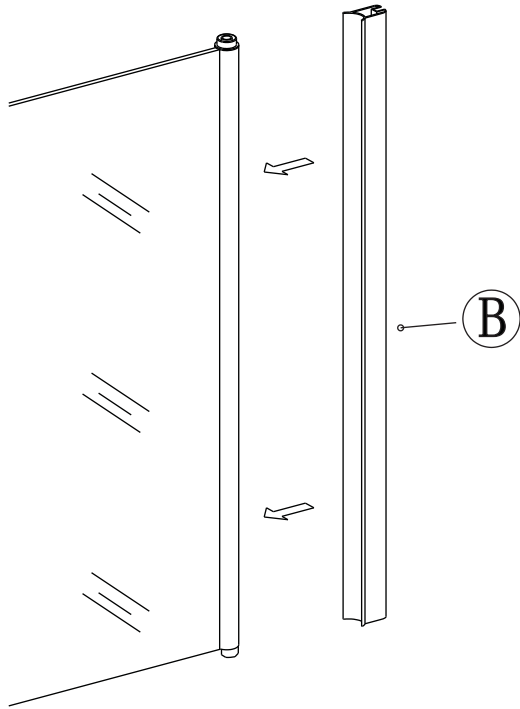


Please dry fit for best installation tolerance to suit.

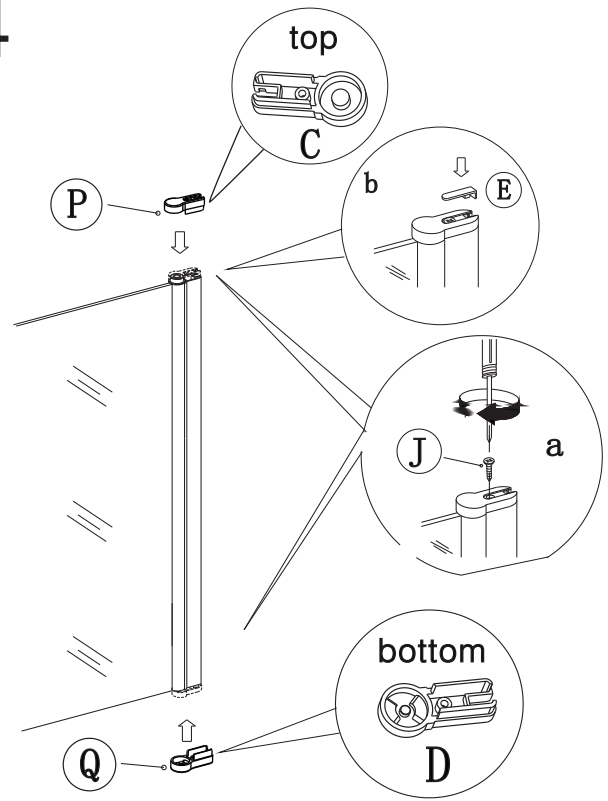
2



3

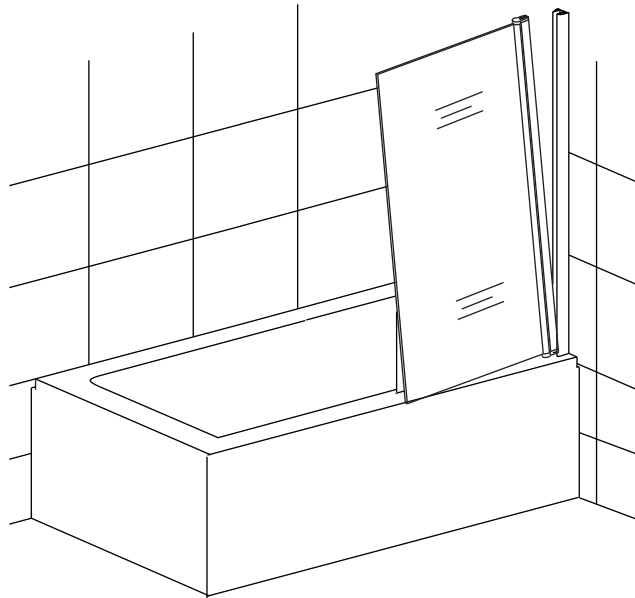


4



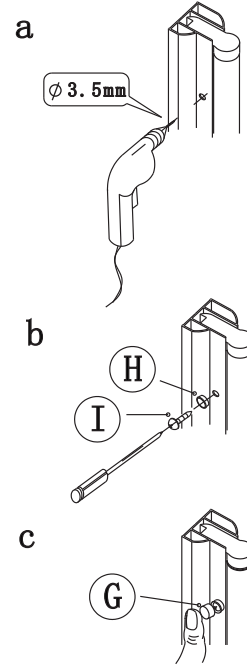
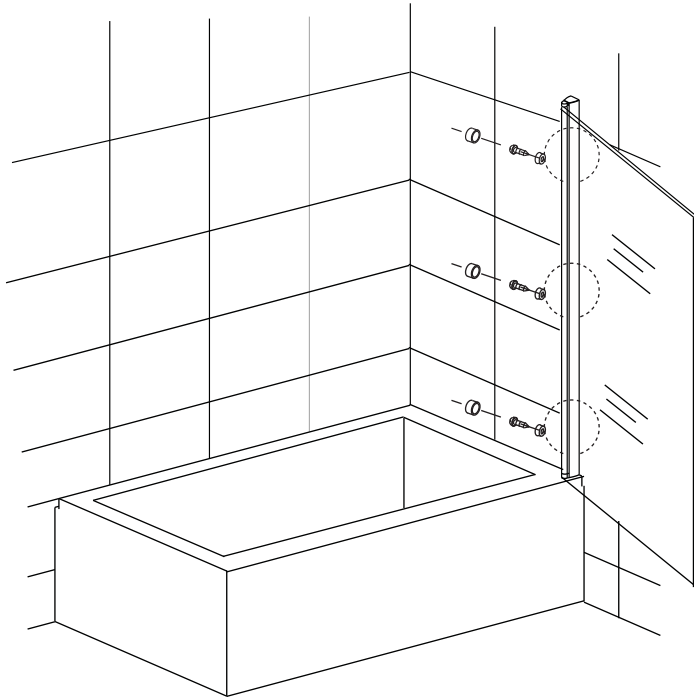
Please ensure the correct part is used for top and bottom.
This process applies to both doors.

5

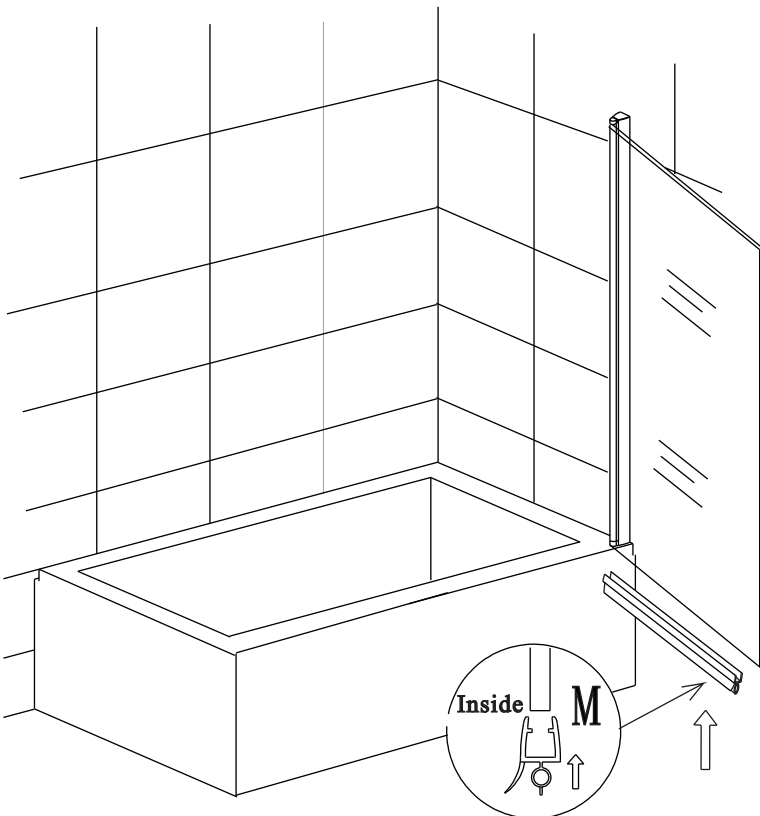


(5)

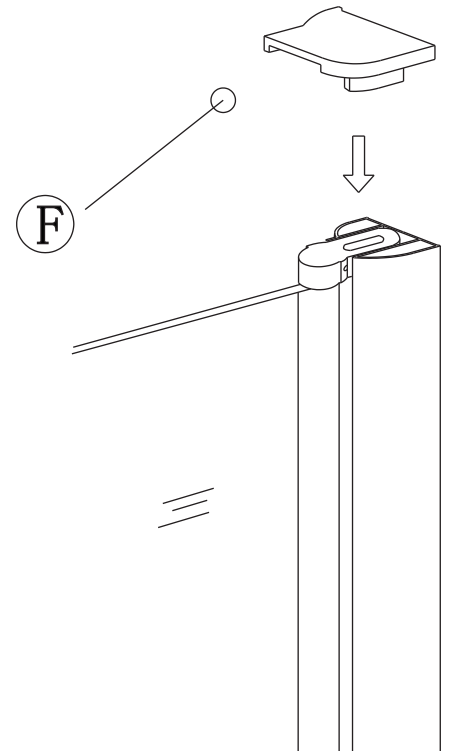
6



7

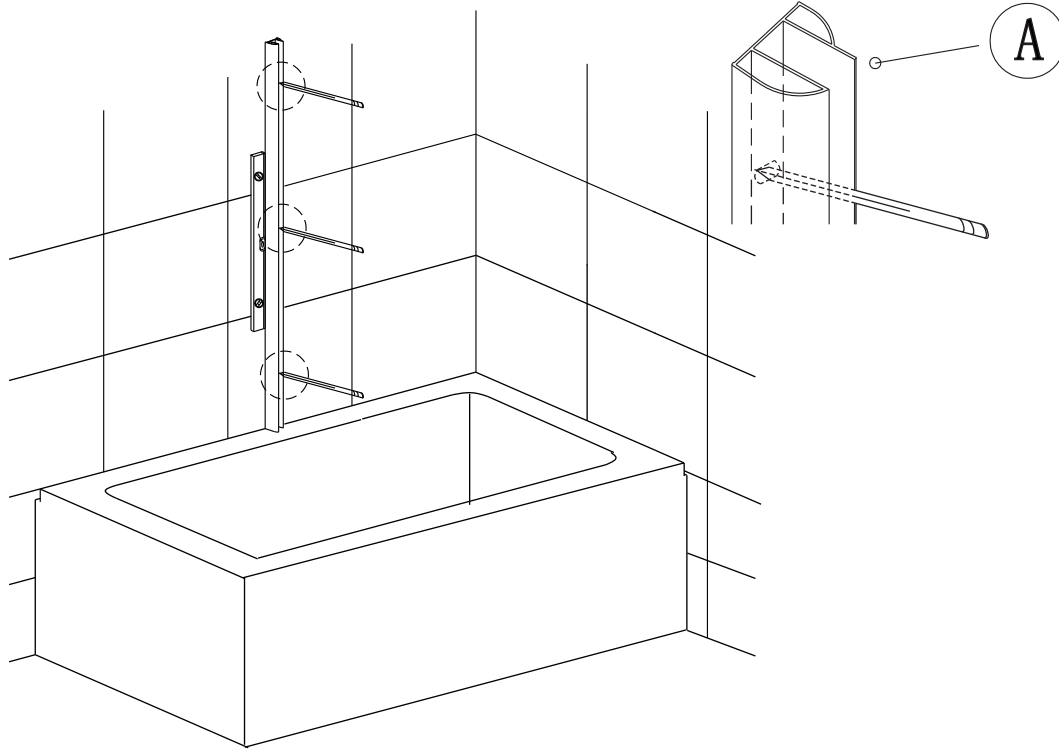


8



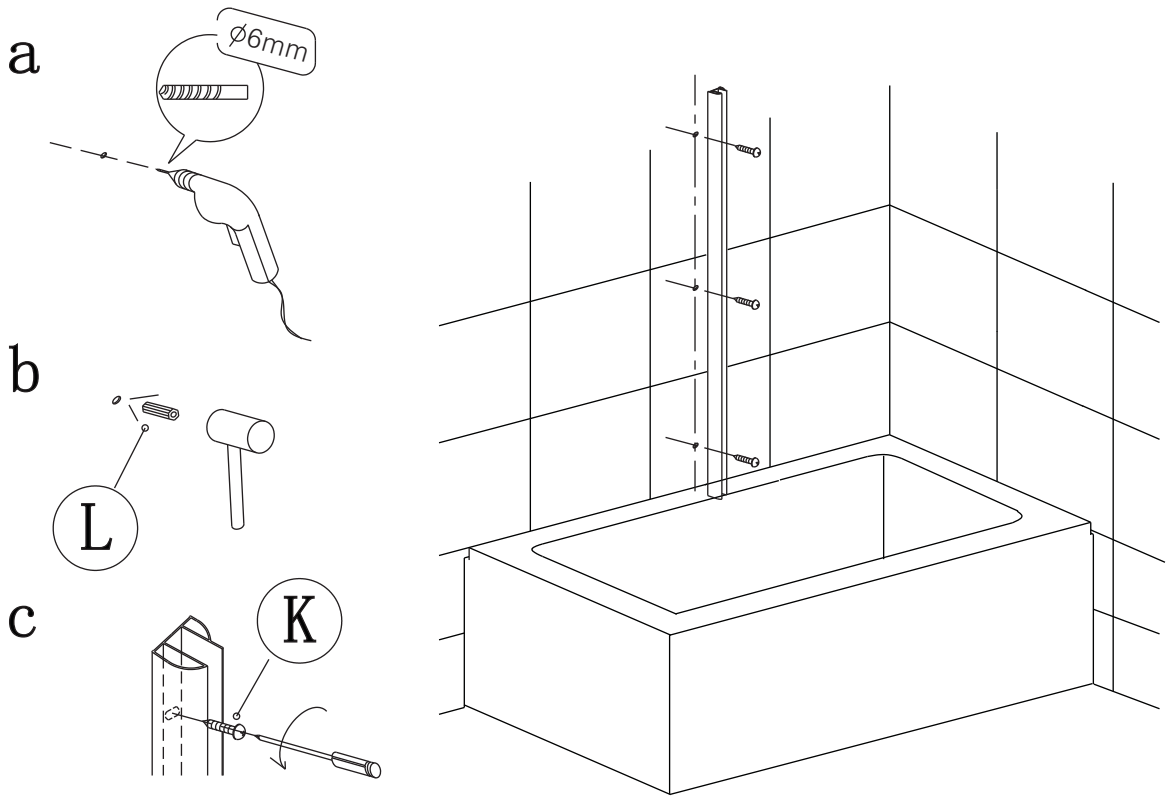
(6)

9



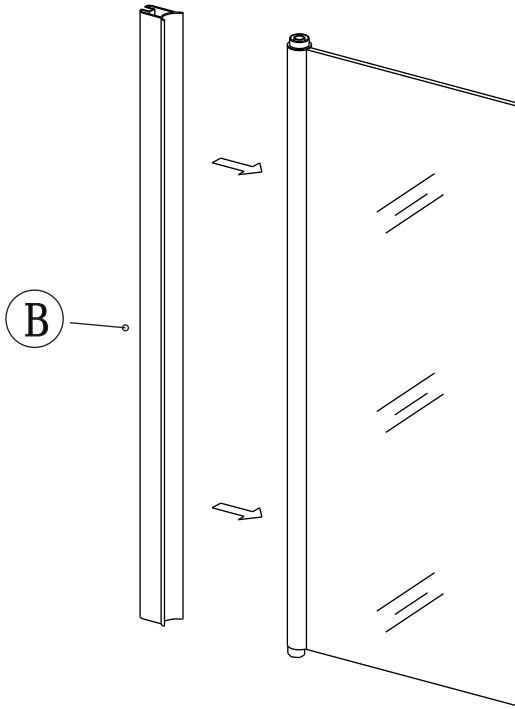
Please dry fit for best installation tolerance to suit.

10

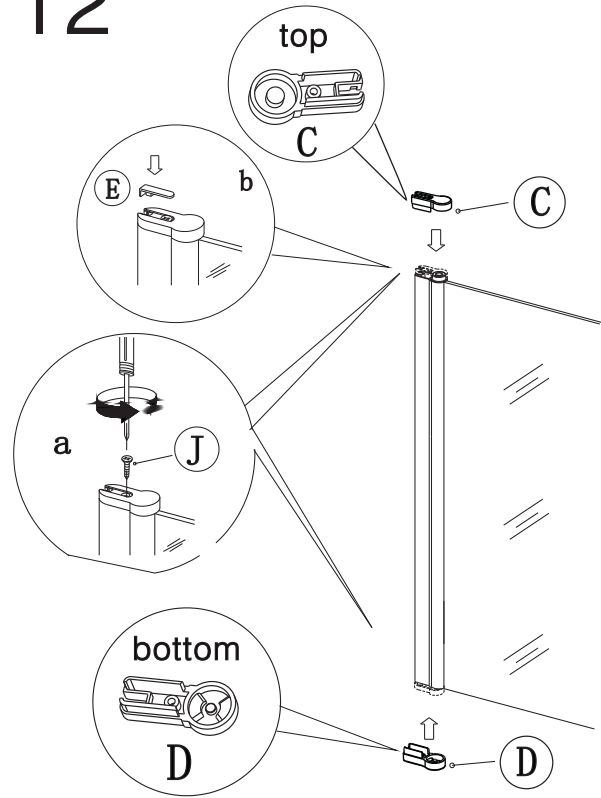


(7)

11

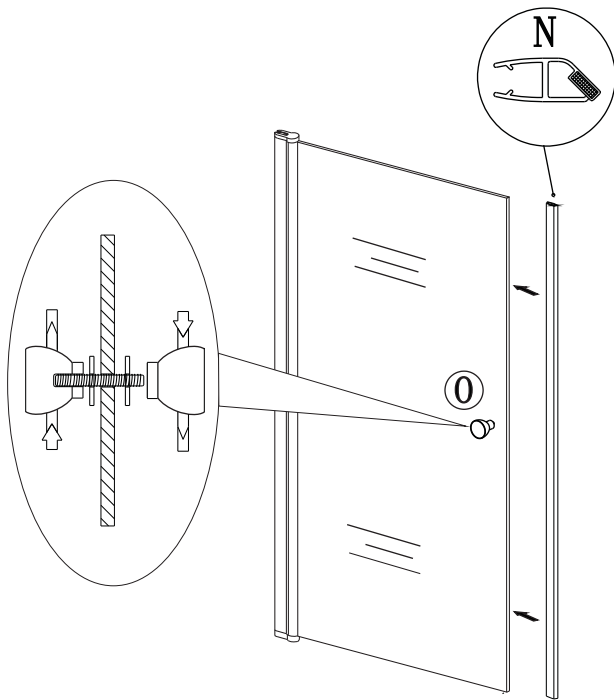


12

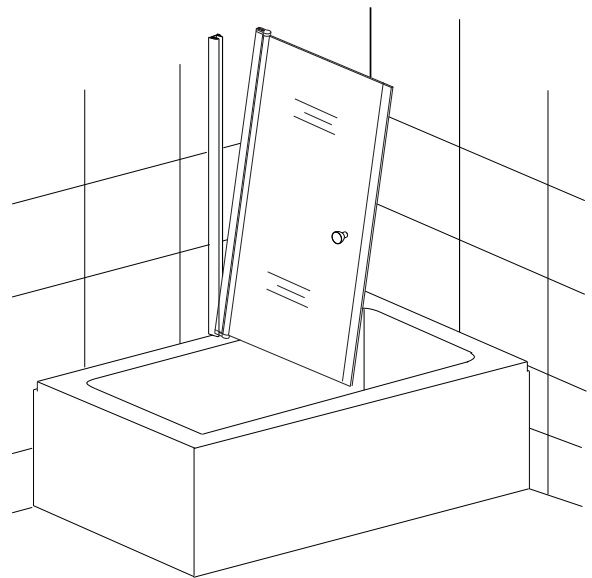


Please ensure the correct part is used for top and bottom.
This process applies to both doors.

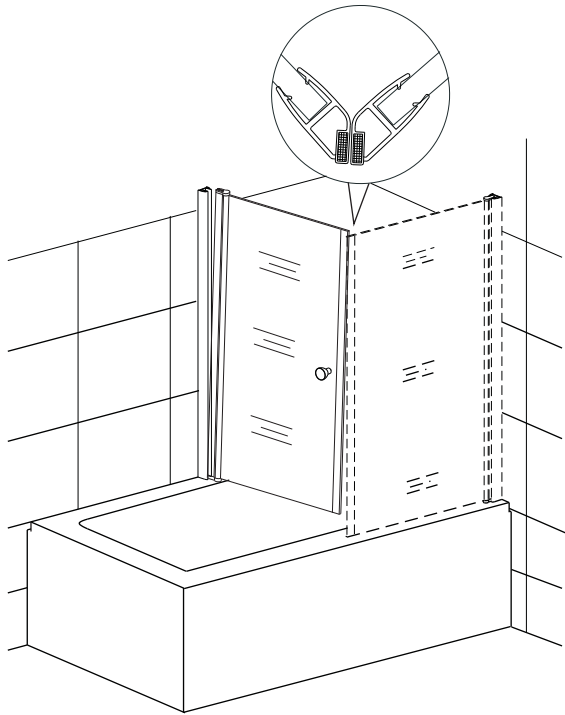
13



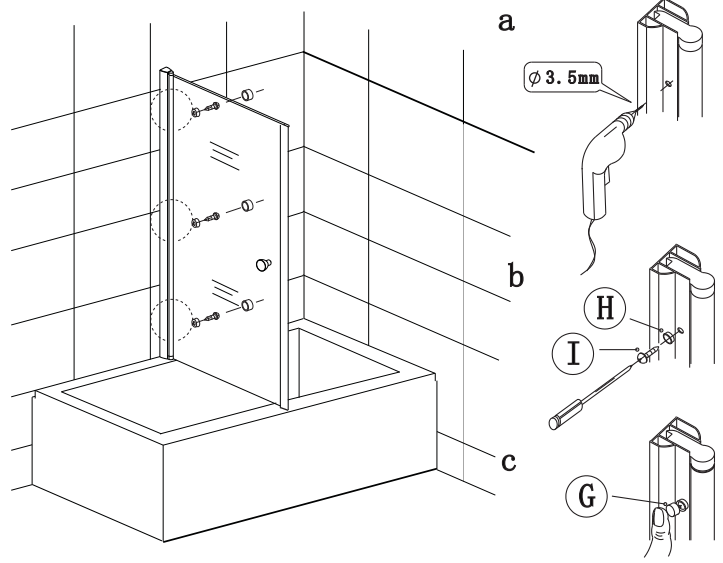
14



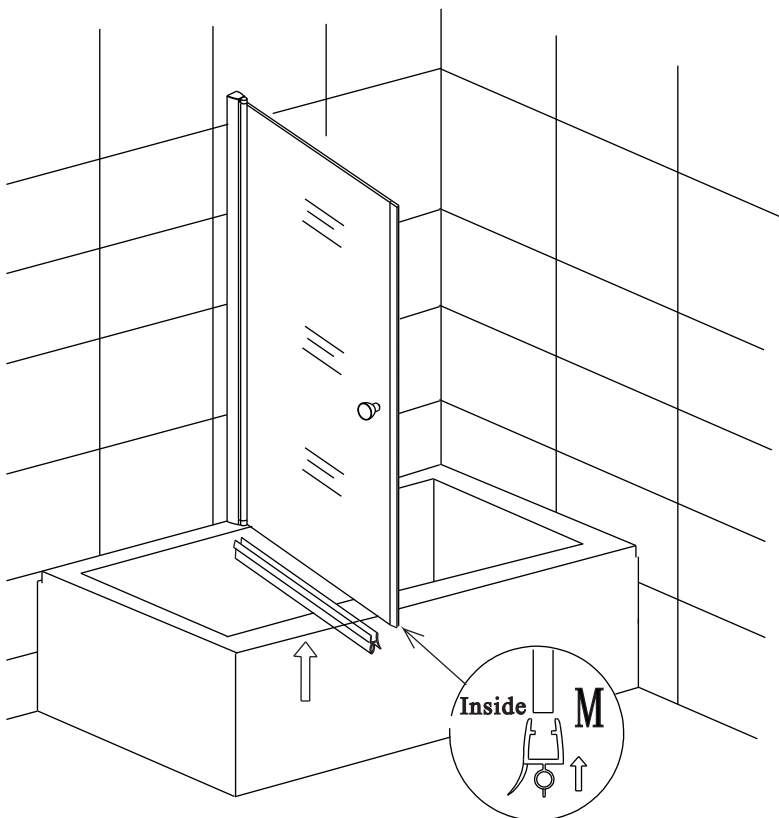
15



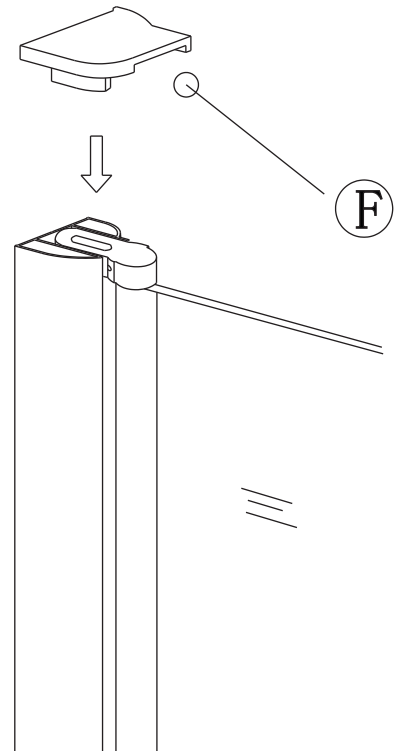
16



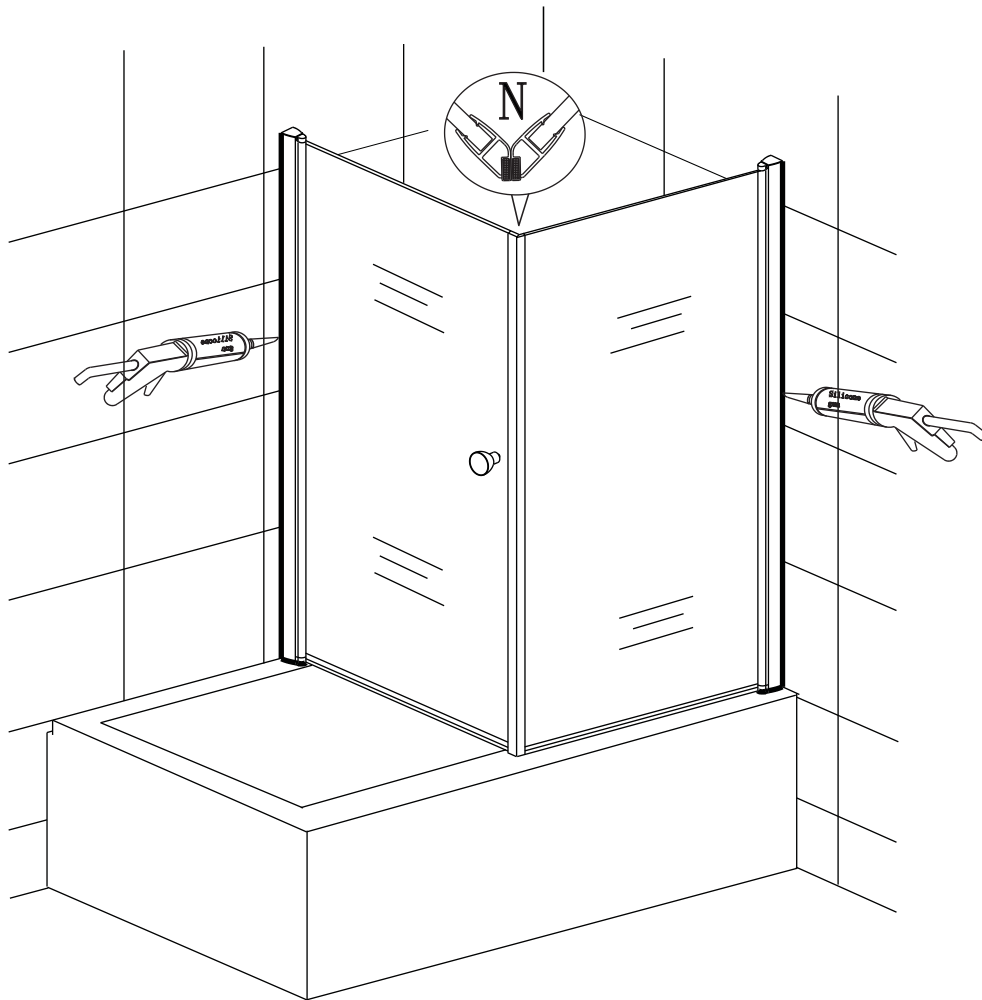
17



18



19



Please ensure silicone sealant is on the outside only.

Cleaning & Maintenance

Don't clean the shower enclosure with irritant detergent such as alcohol, bleach or other chemical cleaners.

Only clean with warm soapy water.

After the installation is completed, should you find that there is notable noise when the glass door moves, you may add a small quantity of silicone lubricant onto the barrel hinge.

Helpline: 01452 317890