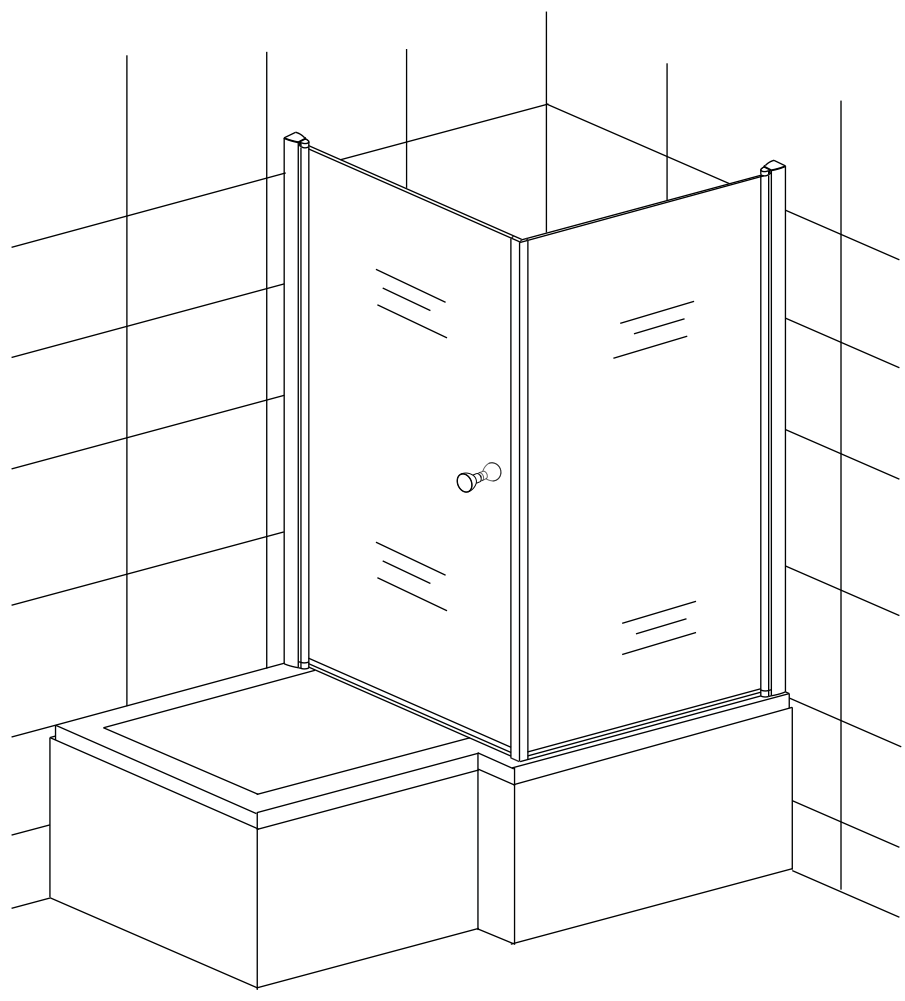


# INSTALLATION MANUAL

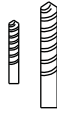
Eastbrook Code	Adjustment
58.4001	810-830



# TOOLS REQUIRED



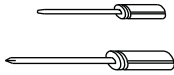
PENCIL



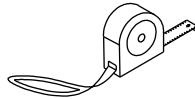
( $\varnothing 6$ 、 $\varnothing 3.2$ ) DRILL BIT



SILICONE & GUN



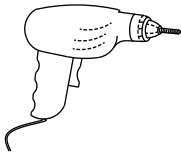
FLAT HEAD & CROSS HEAD SCREWDRIVER



TAPE MEASURE



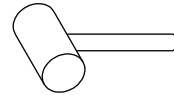
SPIRIT LEVEL



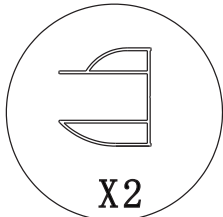
DRILL



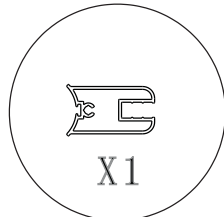
RUBBER HAMMER



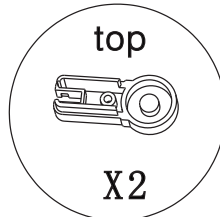
# PACKING LIST



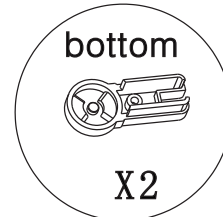
A



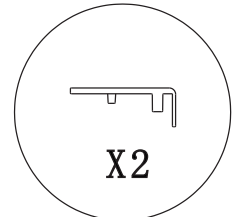
A1



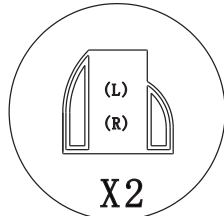
B



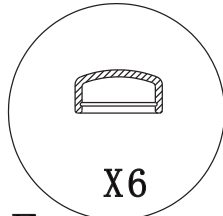
C



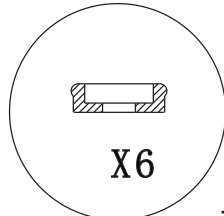
D



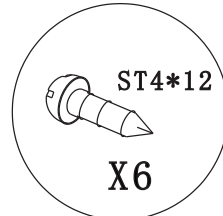
E



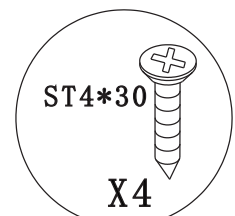
F



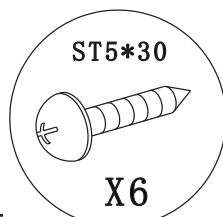
G



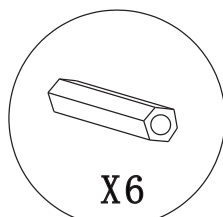
H



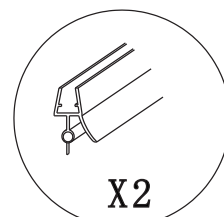
I



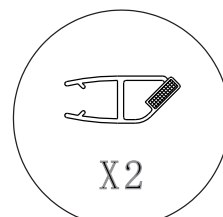
J



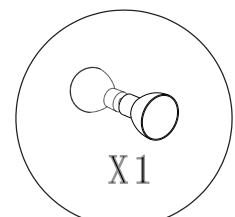
K



L

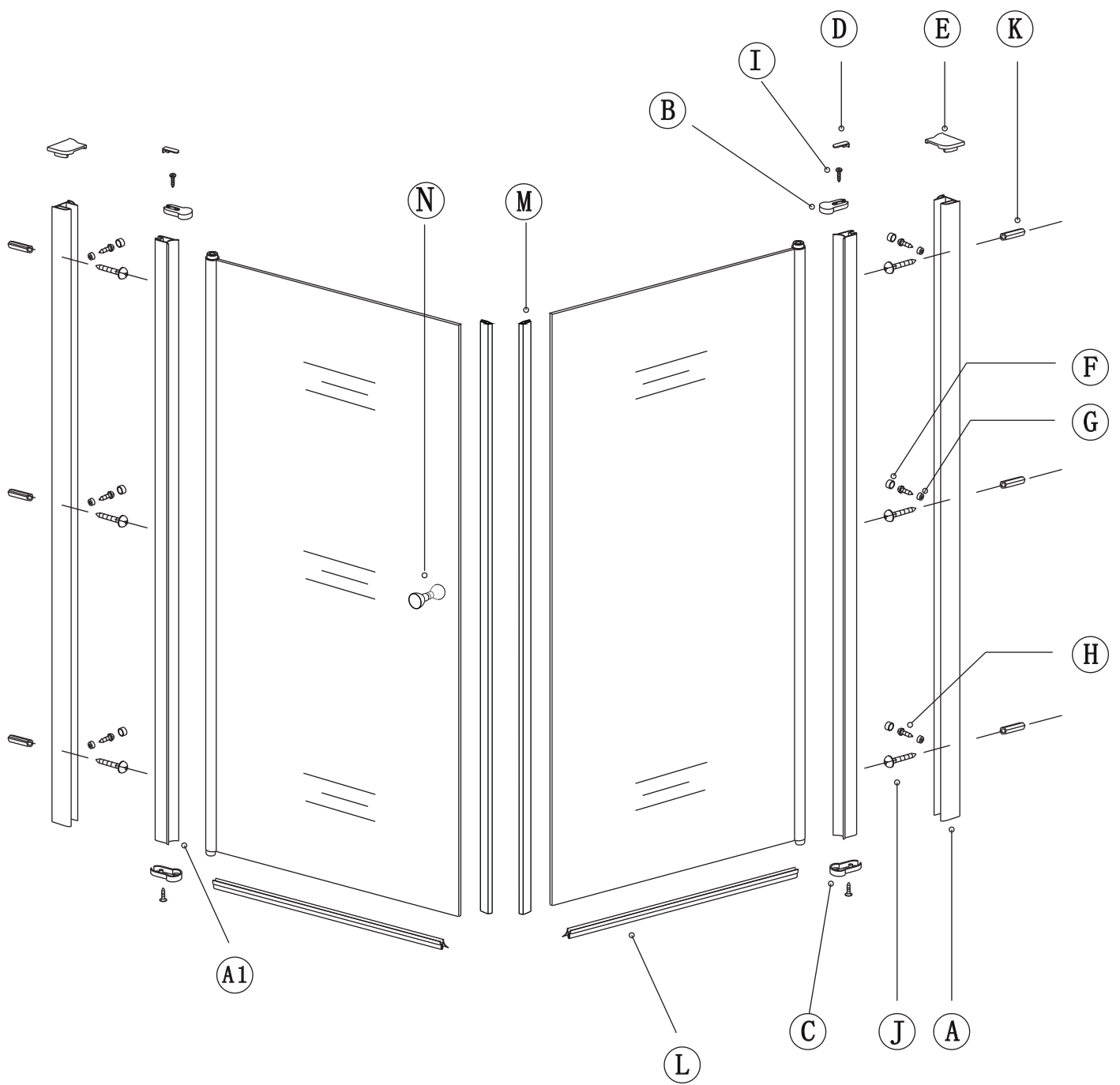


M

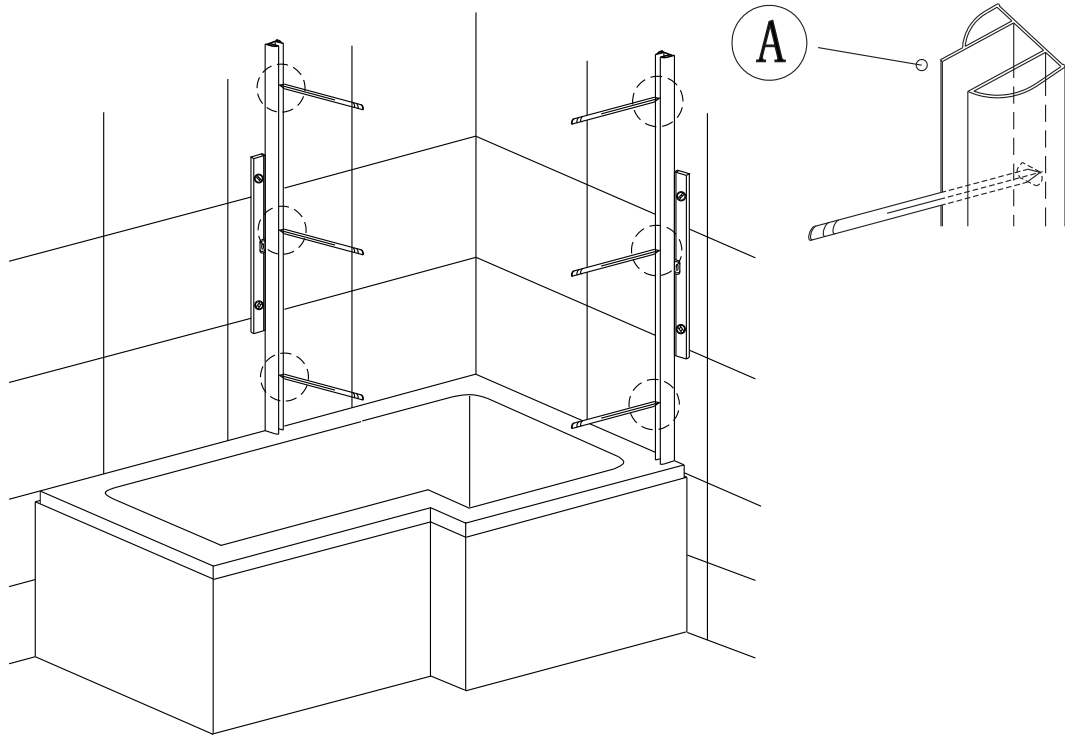


N

# PRODUCT SCHEMATIC DIAGRAM

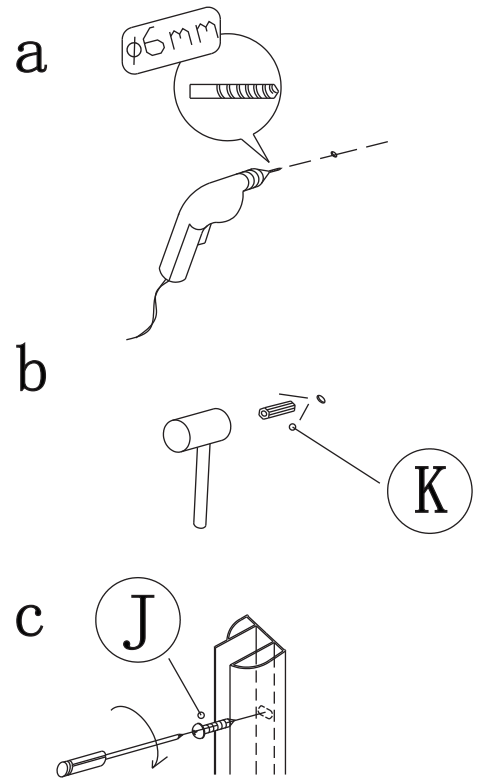
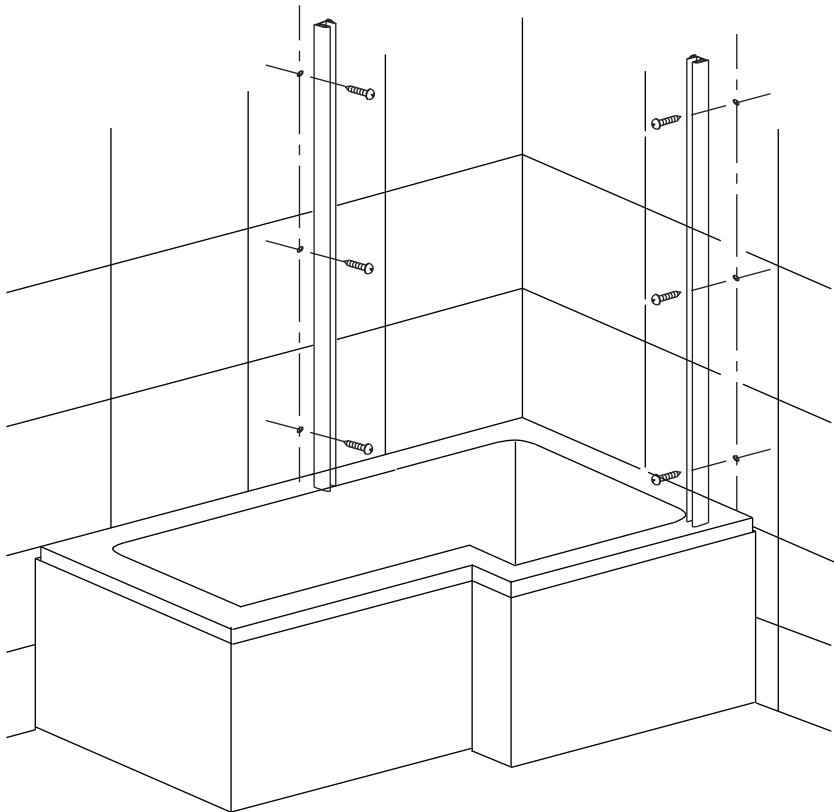


1

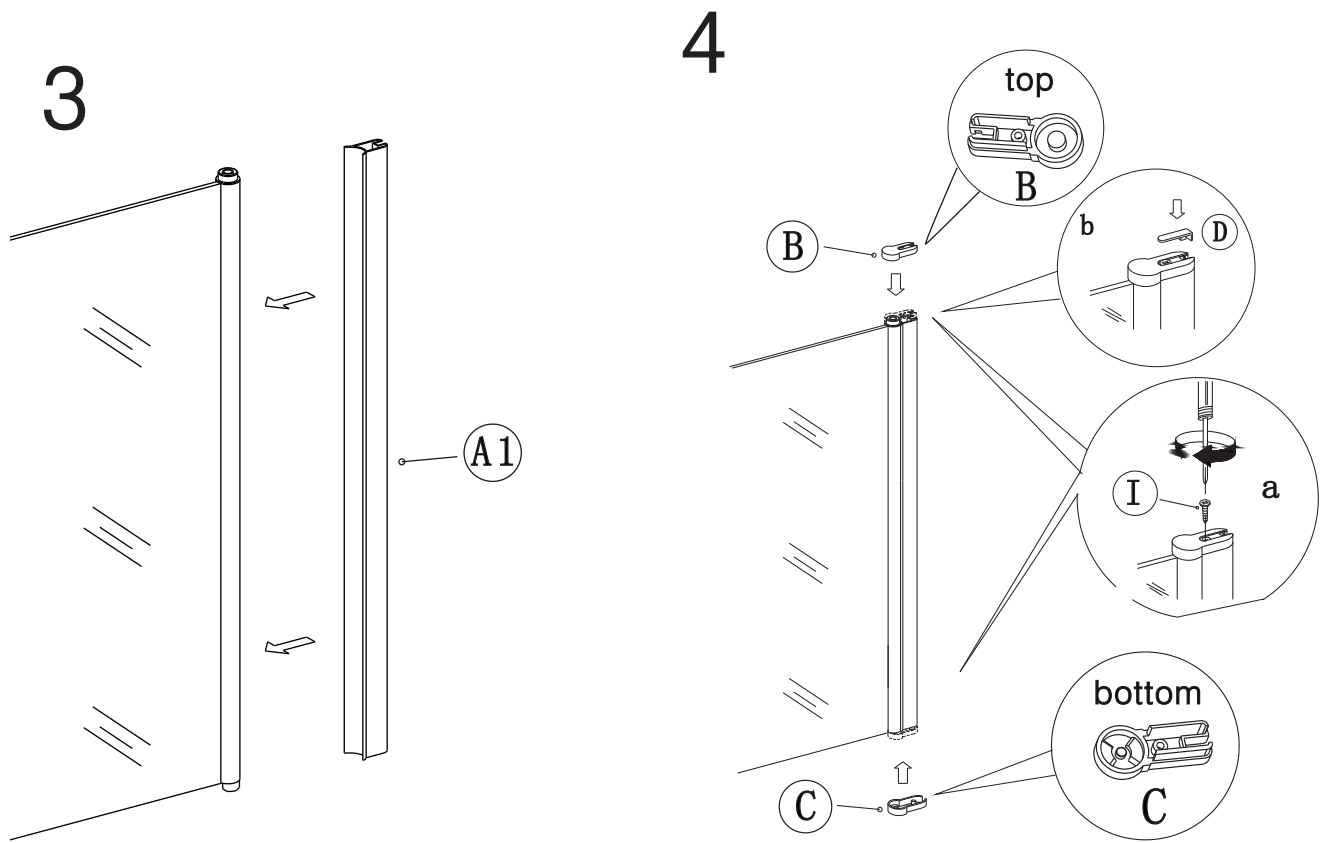


Please diy fit for boot installation tolerance to suit.

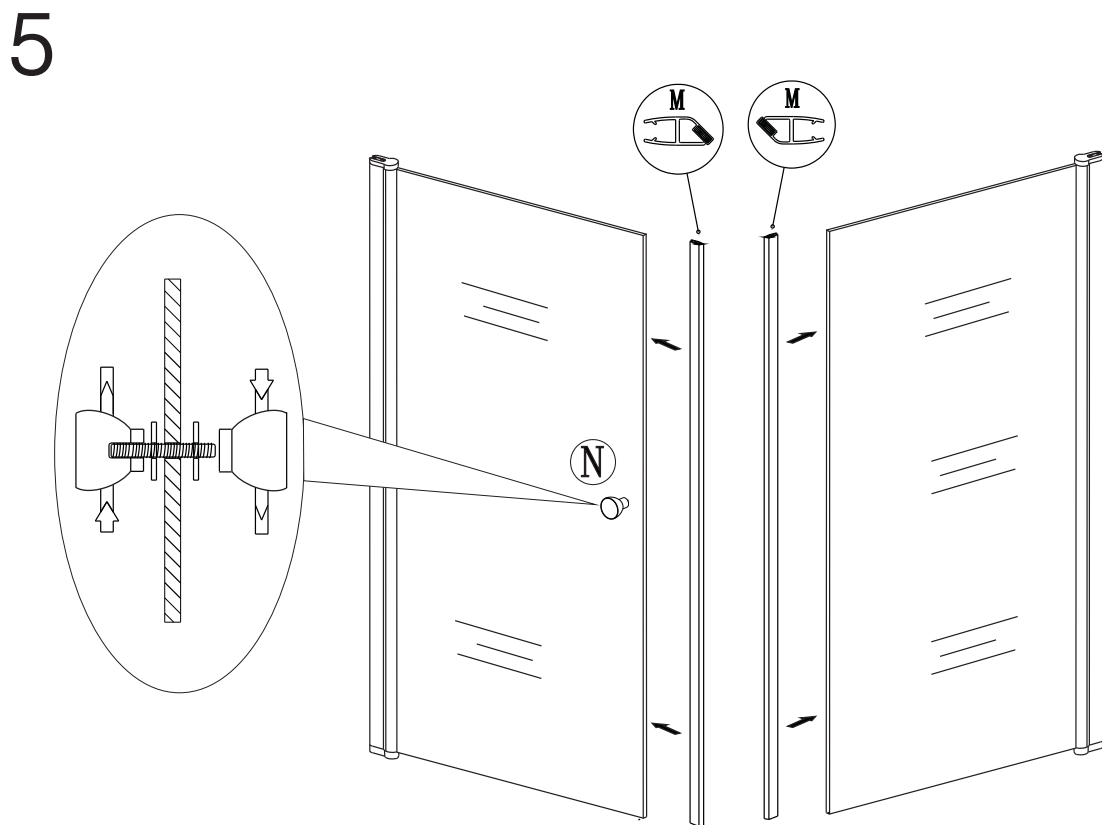
2



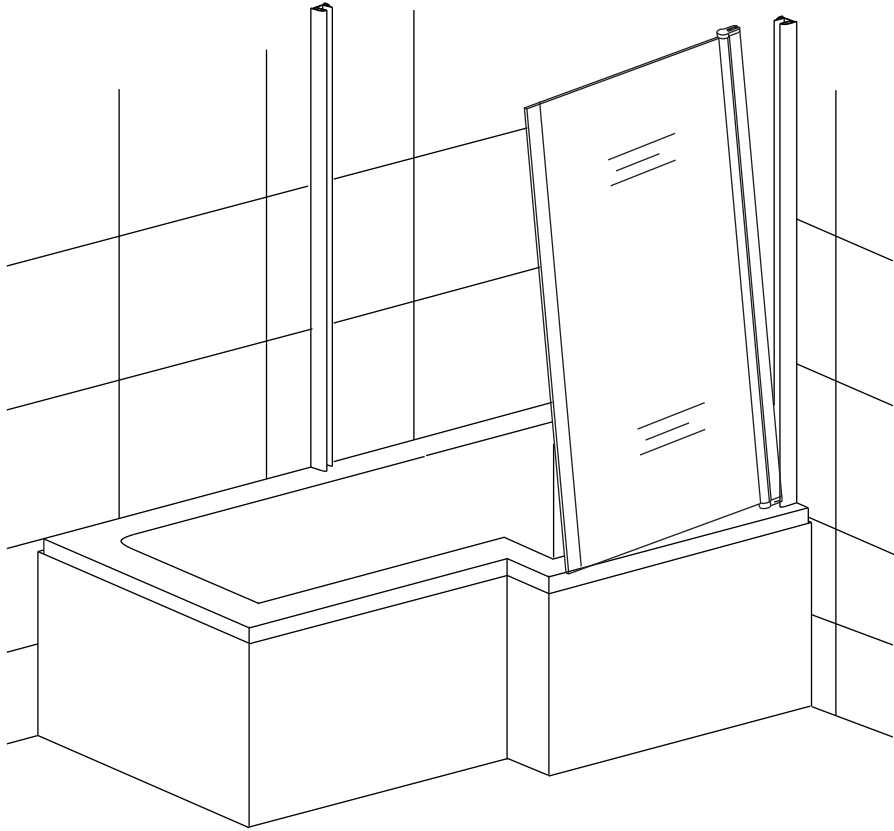
(1)



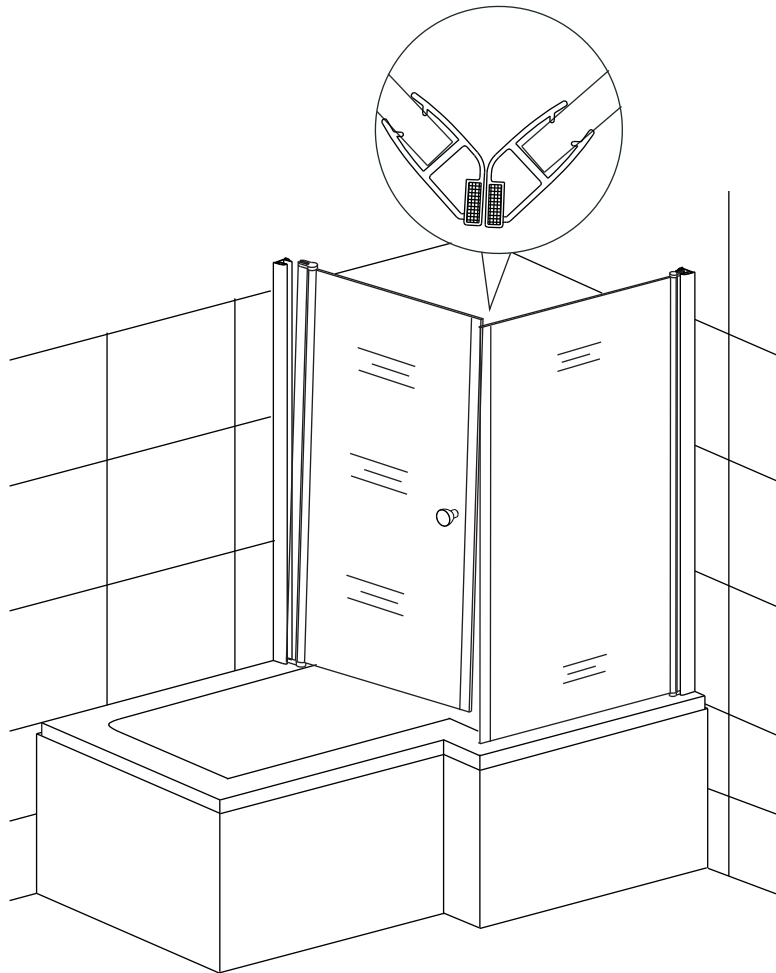
Please ensure the correct part is used for top and bottom.  
This process applies to both doors.



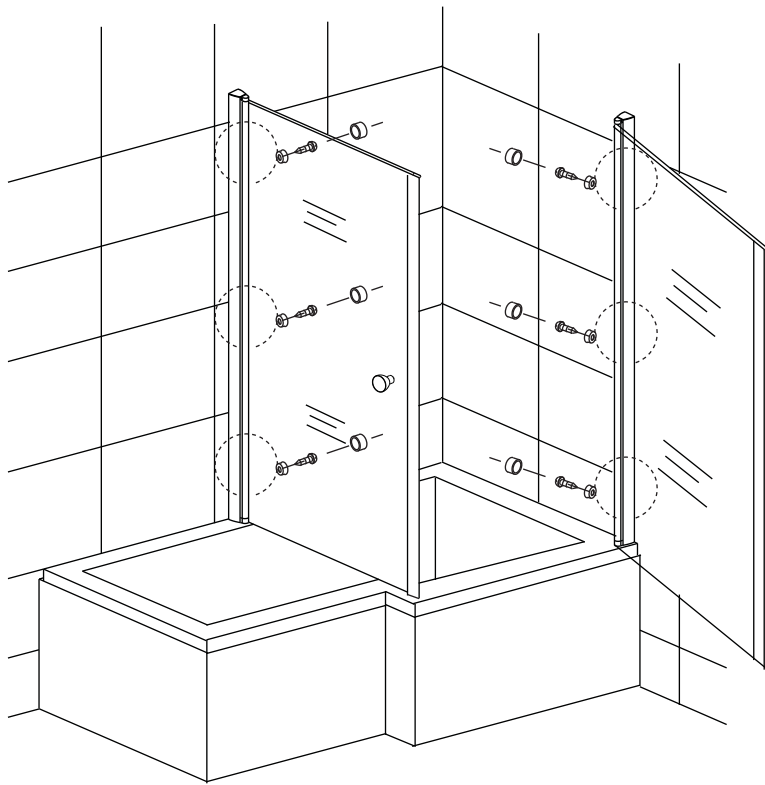
6



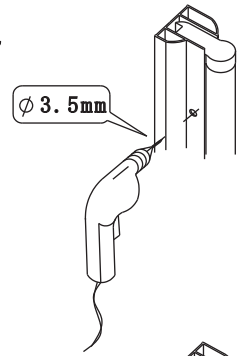
7



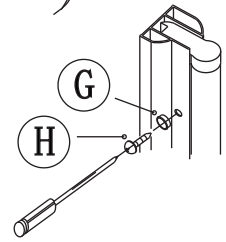
8



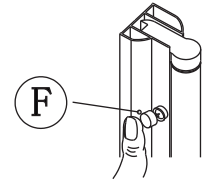
a



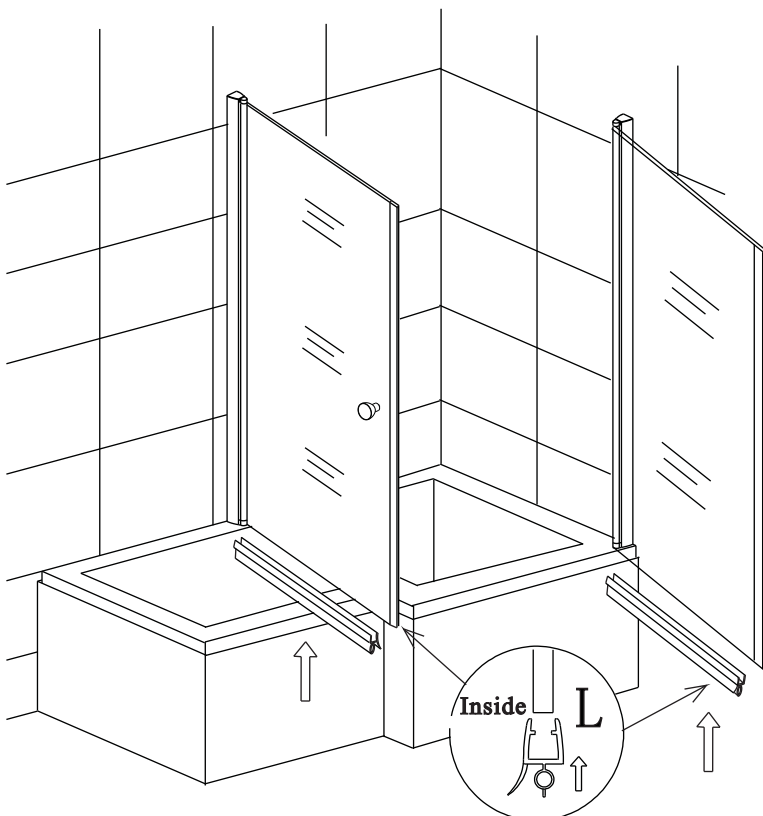
b



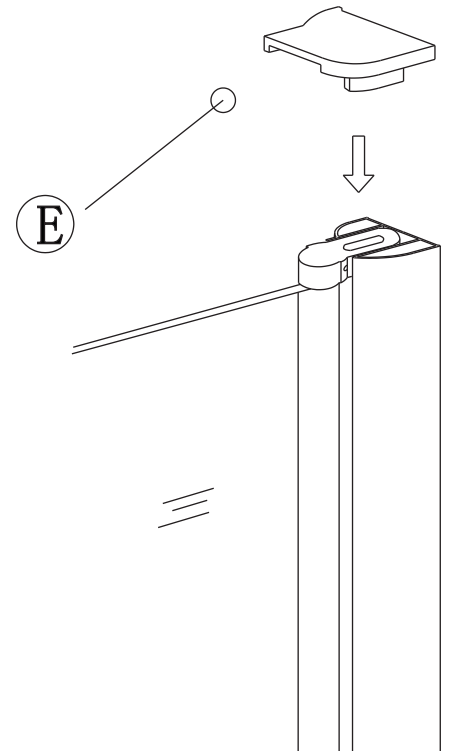
c



9

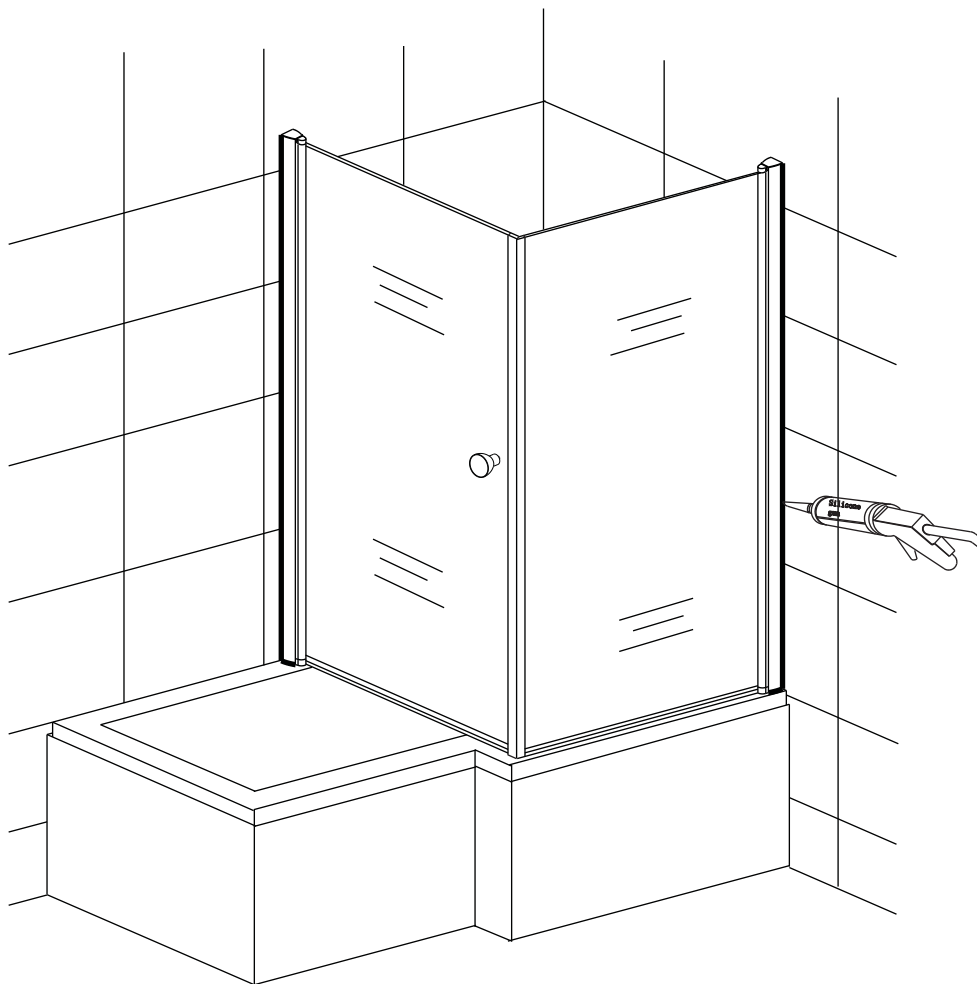


10



(3)

12



Please ensure silicone sealant is on the outside only.

### **Cleaning & Maintenance**

Don't clean the shower enclosure with irritant detergent such as alcohol, bleach or other chemical cleaners.

Only clean with warm soapy water.

After the installation is completed, should you find that there is notable noise when the glass door moves, you may add a small quantity of lubricant onto the roller wheel, slipping hook and the track.

Helpline: 01452 317890

(4)