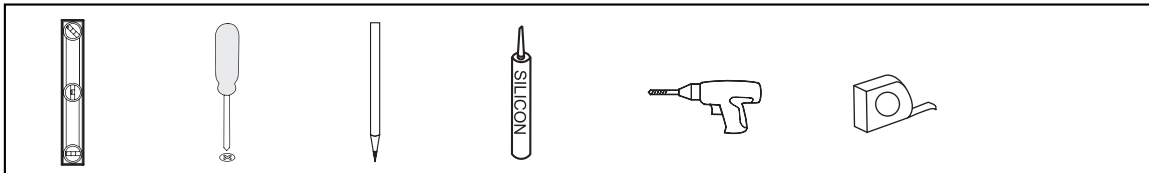


## Bathroom Furniture Instructions and Maintenance

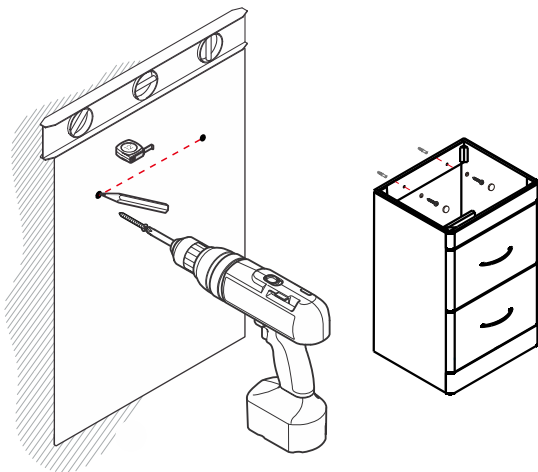
### PLEASE READ BELOW NOTES BEFORE INSTALLING YOUR VANITY UNITS.

- Use protective gloves and eye protection at all times
- Please use qualified plumbers to install the vanity unit
- 2 people are required to install the units
- Check the parts are fully supplied
- Never install products or components which looks damaged
- Hinges for doors and sliders for drawers may need to be checked and adjusted to achieve proper position after installation
- Please avoid direct sunlight as this will affect the painted surface colour change
- If fixing to a stud or panelled wall, proper framework is required to support a wall hung unit

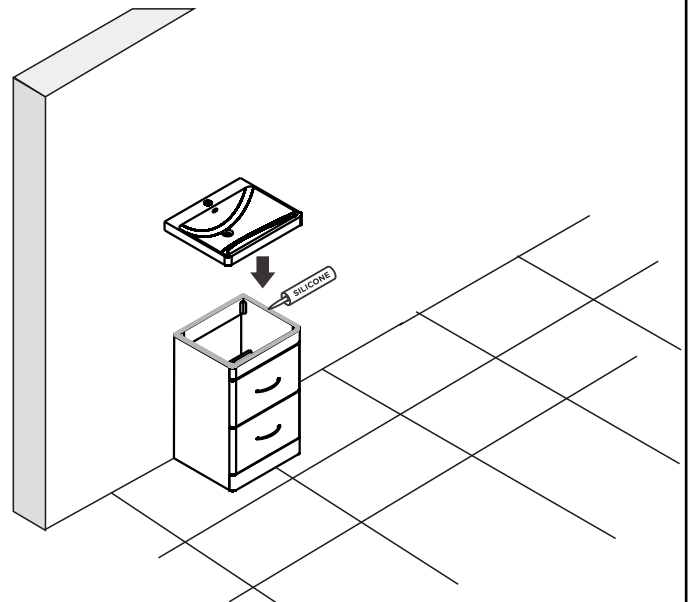
### NECESSARY TOOLS (not supplied)



### 1. Installation for Floorstanding Vanity Units

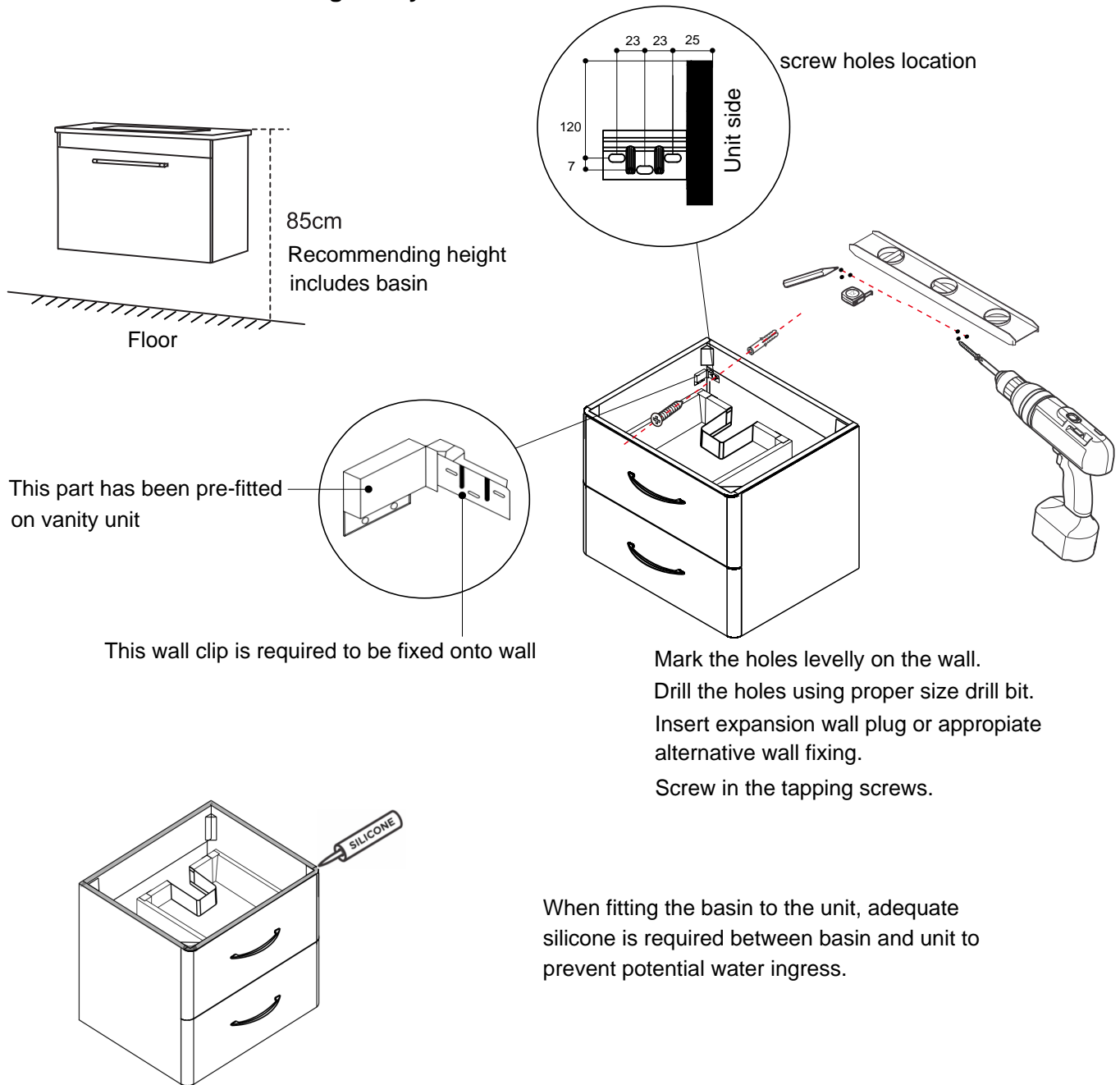


- Mark the two holes levelly on the wall.
- Drill the holes using proper size drill bit.
- Insert expansion wall plug or appropriate alternative wall fixing.
- Screw in the tapping screws.
- Add cover caps on the screws.



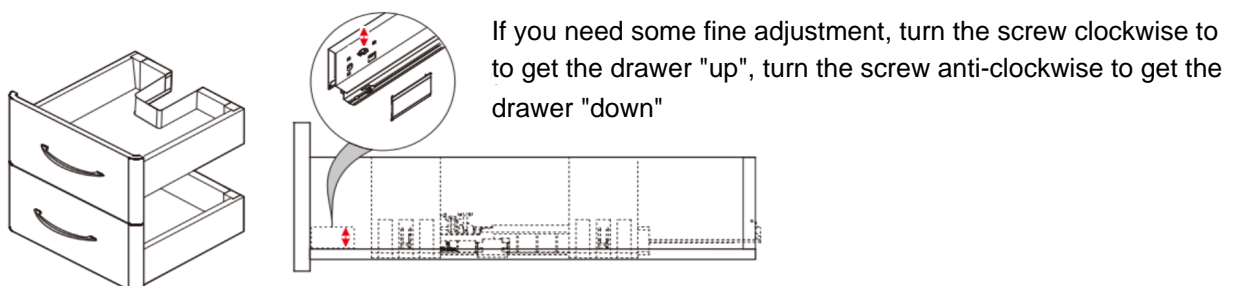
- When fitting the basin to the unit, adequate silicone is required between basin and unit to prevent potential water ingress.

## 2. Installation for Wall Hung Vanity Units

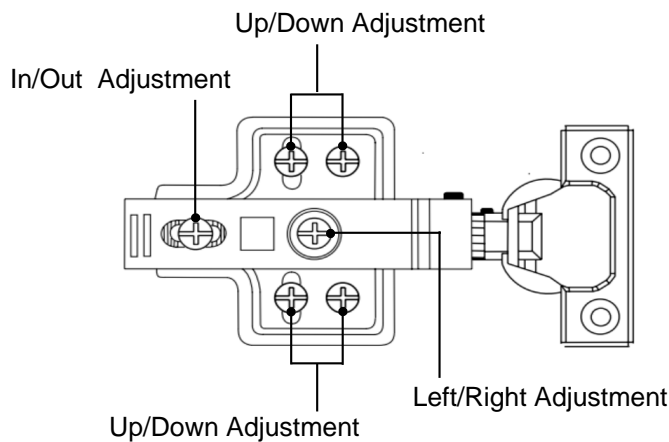


## Components Adjustment

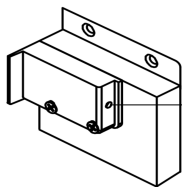
### 1. Drawer slider adjustment



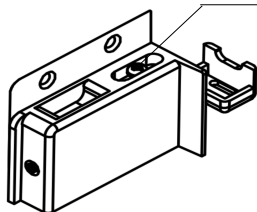
## 2. Soft closing hinge adjustment



## 3. Wall hanging bracket adjustment



Turn the screw anti-clockwise to lengthen the hook's protrusion



Once the vanity unit is fitted, if required, turn this screw clockwise for "down" and anti-clockwise for "up"

## Aftercare and Maintenance

- Make sure your bathroom is well ventilated
- Do not use abrasive cleaning materials which will hurt the surface finish
- Do not use any cleaning with acidic substances or soda. We suggest use cleaning agents with a PH of 7
- The vanity unit must be kept dry and not subject to continuous moisture
- All spillages and splashes must be wiped off
- Do not lean on fully opened doors or drawers
- Check the hinges and sliders every 6 months and any loose screws must be tightened

**Technical Helpline: 01452 317890 (Open times: Mon - Fri 8:00am-17:pm)**

**Email: [technical@eastbrookco.com](mailto:technical@eastbrookco.com)**

**Eastbrook Road, Gloucester GL4 3DB**